



1-OHM STABLE DESIGN
Minimum Impedance Load is 1-Ohm

ACA-500.1D
ACA-1000.1D

ACA COMPACT CLASS D AMPLIFIER

Owners Manual

Please read through this manual to familiarize yourself with your new amplifier. Should your PowerBass AutoSound mobile amplifier ever require service, you will need to have the original dated receipt.



Thank you and Congratulations

Thank you for your decision to purchase a PowerBass USA Autosound mobile amplifier! Our Autosound amplifiers are the result of extensive engineering, testing, and bullet proof construction. Their versatility enables compatibility with optional signal and audio processors. These high quality MOSFET amplifiers may be configured to allow maximum flexibility in designing different subwoofer options.



COMPACT CLASS D AMPLIFIERS

Unlike most Full Range amplifiers, these models are designed specifically for low frequencies and are intended only to power subwoofers. It is important that you closely follow the wiring instructions contained in this Owners Manual so that you get the most from your PowerBass AutoSound Class D Mono mobile amplifier.

Δ Caution Δ

High powered audio systems in a vehicle are capable of generating higher than “Live Concert” levels of sound pressure. Continued exposure to excessively high volume sound levels will cause hearing loss or damage. Also, operation of a motor vehicle while listening to audio equipment at high volume levels may impair your ability to hear external sounds such as horns, warning signals, or emergency vehicles—thus creating a potential traffic hazard. In the interest of safety, PowerBass USA highly recommends listening at lower volume levels when driving.

TECHNICAL FEATURES

- High Efficiency Class D Design
- Mono Block Amplifier for Subwoofer
- High and Low Level Line Input
- MOSFET Power Supplies for High Power Output and Best Stability into Low Impedance Loads
- Soft Delay Remote Turn On/Off Circuit Eliminates Pops and Clicks
- Variable Low Pass Electronic Crossover
- Selectable Bass Boost EQ
- Self Diagnostic Protection Circuit with LED Status Indicator for; Impedance Over-load, Speaker Short Circuit, Thermal Overheating, and DC Output.
- 1-OHM Stable Operation with Extensive Output Power Increase
- Variable Gain Control
- Remote Level Control (Included)

INSTALLATION EXPERIENCE

Installation of PowerBass mobile amplifiers requires detailed knowledge of electronics wiring and proper speaker impedance. We strongly recommend installation by an authorized PowerBass dealer. This Owners Manual only provides general installation and operation instructions. If you have any reservations about your installation skills, please contact your local PowerBass dealer for assistance.

IMPORTANT : This amplifier is designed for operation in vehicles with 12-volt Negative ground electrical systems only.

PREPARING FOR INSTALLATION

NOTE: The tools listed below may be required for basic installation

- An electric drill with bits
- Philips head and standard screwdrivers
- Wire strippers
- Crimping tool
- VOM (electronic volt ohm meter)
- Heat shrink tubing and heat gun
- Soldering iron
- Electronic (Rosen Core not Acid Core) Solder

INSTALLATION PRECAUTIONS

NOTE: Proceed only if you are a qualified installer, otherwise; see your Authorized PowerBass Dealer to professionally install this amplifier. Always wear protective eyewear when using tools.

- Turn off all stereo and other electrical devices before you begin.
- Disconnect the negative (-) lead from your vehicles battery.
- Locate all fuel lines, brake lines, oil lines, and electrical cables when planning the install.
- Make sure there is at least 2-inches (5 cm) around the air vents on the amplifier.
- When connecting ground points, make sure all paint is carefully scrapped away from the vehicle's chassis and contact is made with bare metal.
- Use a utility knife to trim away fabric from hole locations before drilling or cutting.
- When running power cables through sheet metal, be sure to use grommets to properly insulate the metal edges from the wire insulation.
- If possible, use tubing through grommets.

MOUNTING THE AMPLIFIER

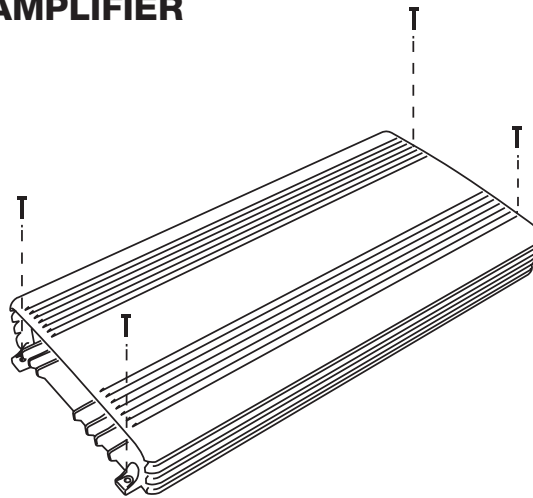


Fig.1 Mounting Amplifier

Due to the high power output of the PowerBass Autosound mono amplifiers, considerable heat may be produced when the unit is in operation. For this reason the amplifier should be mounted in a location which will allow air to circulate freely. A clearance of at least 2-inches (5 cm) to all sides of the amplifier is necessary not only for proper cooling, but also for gaining access to the inputs and other variable controls. Be sure that the power and signal cable connections can enter and leave the amplifier in a straight line to avoid the risk of kinked wires causing malfunction.

MOUNTING LOCATION

Find a clear and well ventilated area to mount your amplifier that is unobstructed by any objects that will cause harm or block ventilation. Despite the fact that this amplifier is compact, it still needs air to cool the heatsink fins. Do not mount under a carpet or an area with dead or stagnant air. Without proper air flow the amplifier may overheat and go into protection where the thermal overload circuitry will shut down the amplifier.

You may use the amplifier as a template and mark the four screw locations with a felt tip pen. Set the amplifier aside before drilling. Use caution to make sure there are no objects behind the installation surface that may become damaged during drilling.

The amplifier should be protected from exposure to moisture and direct sunlight. The best places to mount your amplifier are: The floor of the trunk, under the driver's seat, or on the back of the rear seat. For alternate installation locations, please consult your authorized PowerBass Dealer.

NOTE: Do not use a drill with driver bit to mount the amplifier. Excessive force could cause the plastic mounting feet to crack.

*** WARNING ***

- Upside down mounting will compromise heat dissipation through the heatsink and could engage the thermal protection circuit.
- Try to avoid mounting the amplifier on a subwoofer enclosure, as extended exposure to vibration may cause malfunction of the amplifier.
- Don't mount the amplifier so that the wire connections are unprotected or are subject to pinching or damage from nearby objects.
- The DC power wire must be fused at the battery positive (+) terminal connection. Before making or breaking power connections at the amplifier power terminals, disconnect the DC power wire at the battery end.
- The battery of the car audio system must be disconnected until the entire wiring and installation is completed.
- Don't use a power drill to tighten the power, ground, remote or speaker output terminals on the amplifier to avoid stripping the terminal screws. It is best to hand tighten these connections.
- The use of Ring and Spade terminals (not included) provides the best electrical connection for use with the clamp style connections on this amplifier.

CONTROL PANEL LAYOUT

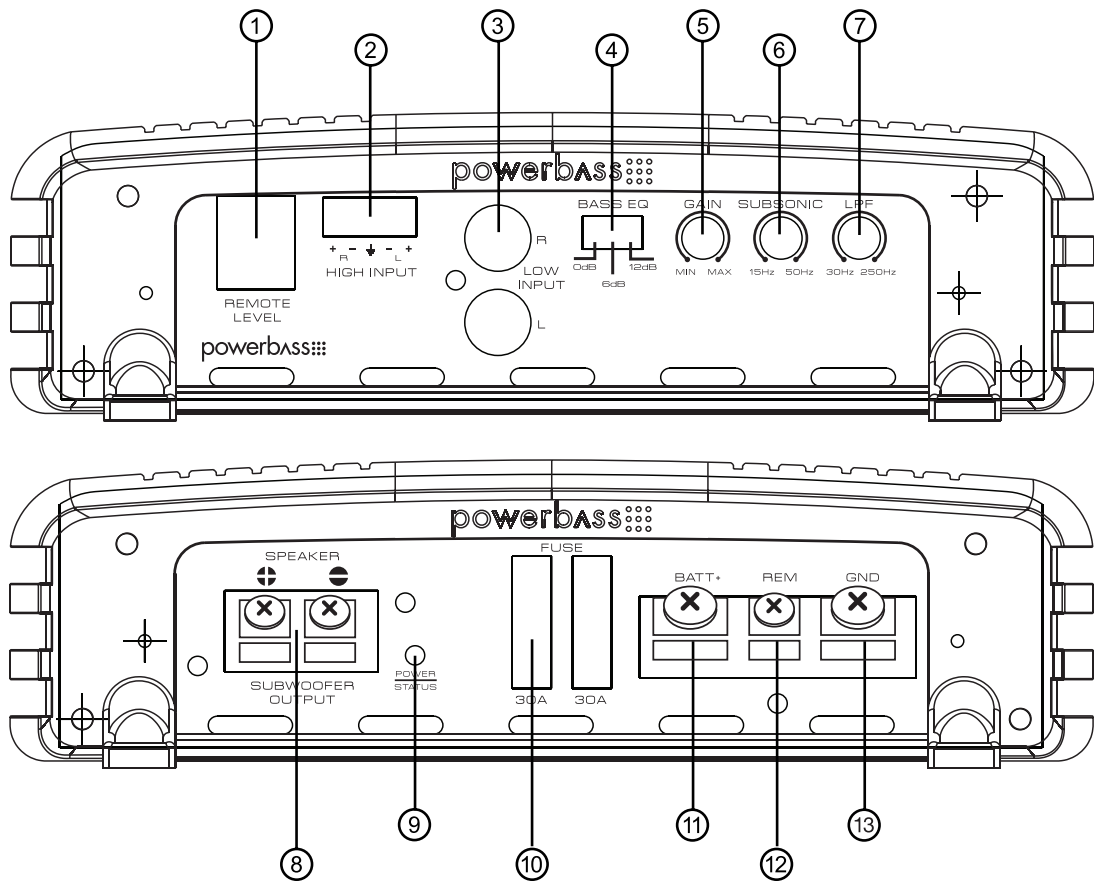


Fig.2 Panel Layout

NOTE: Panel Layout and Controls may differ by model.

1. REMOTE LEVEL

This is the connector port for the Remote Gain Control. Now the amplifiers secondary gain circuit can be adjusted from the driver's seat.

2. HIGH INPUT

Allows you to connect speaker output from factory radio to amplifier without the use of a low level convertor.

3. LINE IN (RCA) Jacks

These RCA style input jacks are for use with source units that have RCA line level outputs. A source unit with a minimum output of 250mV is required for proper operation. However, this input will accept levels up to 6Vrms.

4. BASS EQ Switch

This equalization circuit is used to enhance the low frequency response of the vehicle's interior. Selectable for 6 or 12dB of boost centered at 45Hz, the BASS EQ can be adjusted to meet your own personal taste.

5. GAIN Control

This control is used to match the input sensitivity of the amplifier to the particular source unit that you are using up to 6 volts.

6. SUB SONIC Control

This control is continuously adjustable from 15Hz through 50Hz at 12dB per octave to provide an extra level of subwoofer protection from bass robbing power at unheard frequencies.

7. LPF (Low Pass Filter) Control

This filter controls low pass of frequencies and is adjustable from 30Hz through 250Hz to eliminate unwanted high frequencies.

8. SPEAKER Output Terminals

As shown in the wiring diagrams, be sure to observe speaker polarity through the system and speaker impedance. The clamp style wire terminal is designed to accommodate up to 10 gauge speaker wire (#8 spade).

9. POWER/STATUS Indicator

The clear LED turns BLUE when the power is on. Should the LED turn RED this is an indicator there is a problem with the system in relation to the amplifier (see Troubleshooting Tips).

10. FUSES

For convenience most PowerBass AutoSound amplifiers utilize common automotive ATC type fuses. For continued protection in the event that a fuse blows, replace the fuse only with the same value. **CAUTION: These power fuses on the amplifier chassis are for protecting the amp against over current situation. To protect the vehicles electrical system, an additional fuse should be used within 18-inches of the battery on the 12V+ cable. [ACA-500.1D (25A x 2)] [ACA-1000.1D (35A x 3)]**

11. BATT+ (Power Input Terminal)

This terminal is the main power input for the amplifier and must be connected directly to the positive (+) terminal of the car battery. The clamp style wire terminal is designed to accommodate up to 4-gauge wire (#10 ring). See Power Cable Selection Chart for recommended wire gauge for each model.

12. REM (Remote Input Terminal)

All PowerBass AutoSound amplifiers can be turned on by applying 12 volts to this terminal. This can be found on the rear of the source unit in the form of an electric antenna output, or a remote output. If this is not available you can wire to the ACC position on the key. An 18 gauge wire is sufficient to run the REMOTE.

13. GND (Ground Input Terminal)

A good quality ground is required for your PowerBass AutoSound amplifier to operate at peak performance. A short length of cable the same gauge as your power cable should be used to attach the ground terminal directly to the chassis of the vehicle. The clamp style wire terminal is designed to accommodate up to 4-gauge wire (#10 ring). Make sure that all of the paint is sanded or scraped away to ensure a quality ground connection

POWER WIRING AND SIGNAL CONNECTIONS

*** WARNING ***

Disconnect the negative (-) battery terminal before you start any wiring work! The battery of your car audio system must be disconnected until the entire wiring installation is completed.

Your PowerBass Autosound Mono amp will draw large levels of current, so use the largest gauge power/ground cable possible. Using too small of power cable can result in unnecessary over-heating of the amplifier, distortion at high volume levels and might even cause the thermal protection circuitry to shut-off the amplifier. Remember, bigger wire is better! For best results we recommend a PowerBass amplifier install kit, available at your local PowerBass dealer.

- Use rubber grommets when running cables through any metal or sharp plastic, to prevent accidental shorting or shearing. Make sure the cables do not interfere with normal operation of the vehicle.
- The audio signal cables (RCA interconnects) should be kept far away from any potential sources of electrical interference such as electronic vehicle management systems (relays, engine computers wiring harnesses, fuel pumps etc.)

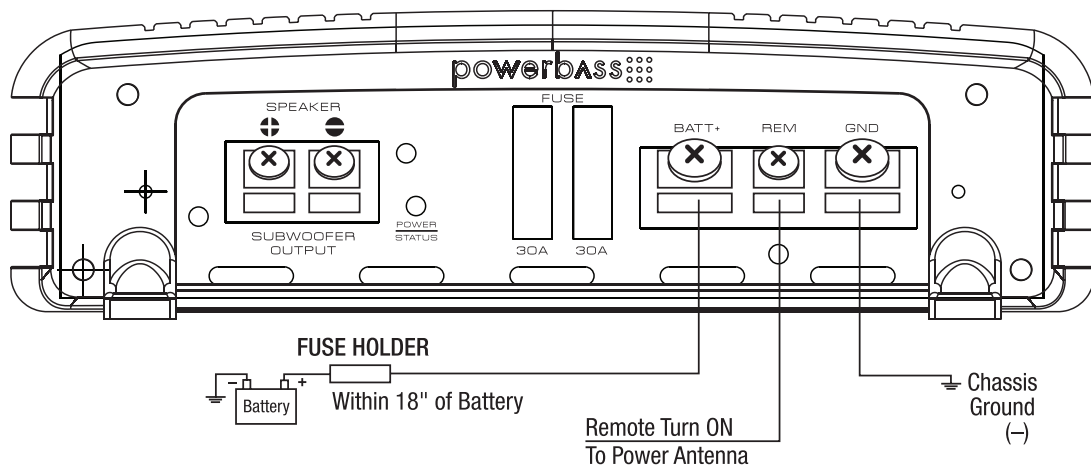


Fig.3 Power Input Connection

This amplifier is designed to work within a 9 to 16 volt DC range. Before any wires are connected, the vehicles electrical system should be checked for correct voltage supply with the help of a voltmeter.

First, check the voltage at the battery with the ignition in the OFF position. The voltmeter should read no less than 12V. If your vehicles electrical system is not up to these specifications, we recommend having it checked by an auto electrician before any further installation. Once the vehicle is checked, make certain the correct cable gauge is used. We recommend using as large a gauge cable as possible, use the Power Cable Selection Chart to calculate the correct power wire size for your application. Remember Bigger is Better!

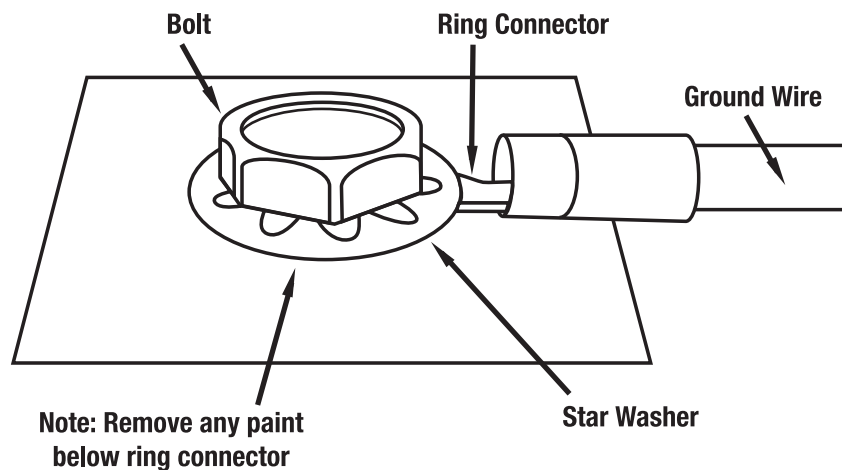
BATT+ (Power)

This amplifier should be wired directly to the vehicle battery using the appropriate size cable. Start at the vehicle battery and run the power cable through to the amplifier. Avoid running the power cable over engine components and near heater cores. **The use of an inline fuse or circuit breaker is a must;** this will prevent the risk of a potential fire caused by a short in your power cable. Connect the fuse holder or circuit breaker as close to the battery positive (+) terminal as possible (no farther than 18" from that battery). This fuse or circuit breaker should be no greater than the sum of the fuses found on the chassis of your amplifier (also see specifications chart). You may now connect the cable to the battery, but remember to leave the fuse out or circuit breaker "off" until all other cable connections are made.

GND (Ground)

When grounding your amplifier, locate a metal area close to the amplifier that is good source of ground (preferably the floor pan). Once again, investigate the area you wish to use for electrical wires, vacuum lines, and brake or fuel lines. Use either a wire brush or sandpaper to eliminate unwanted paint for better contact of the ground.

Secure the ground cable to the body using a bolt, star washer and nut. Spread silicon over the screw and bare metal to prevent rust and possible water leaks.



Now it's time to connect the power and ground cables to the amplifier. Cut both cables to length. Use a Philips screwdriver to loosen the BATT+ and the GND connections on the amplifier. Insert the ground first, and then the +12V and please make sure that you place them into the correctly marked terminals. Then tighten the screws down securely.

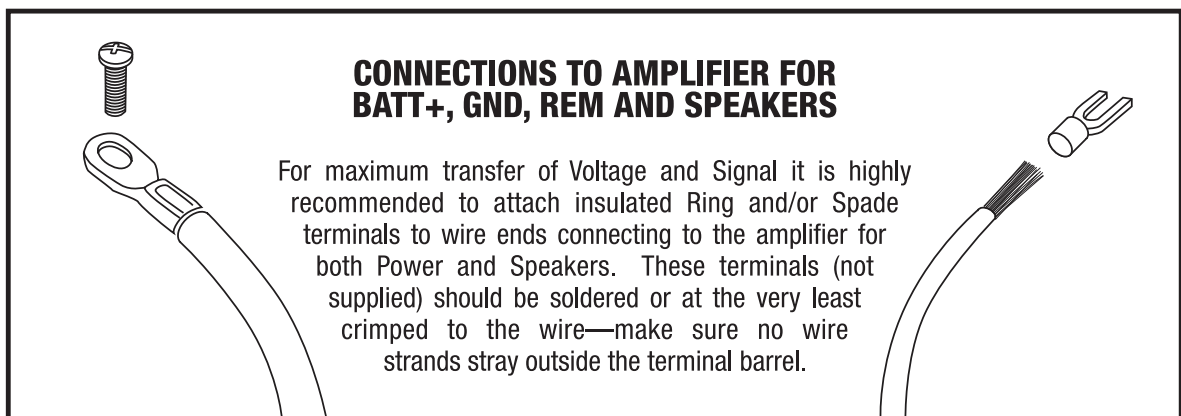
REM (Remote Trigger)

This terminal must be connected to a switched +12V source. Typically, remote turn-on leads are provided at the source unit that will turn on and off the amplifier in correspondence with the source. If the source unit does not have a remote turn-on lead, then a power antenna wire can be used. If neither of these leads is available at the source unit, then a switched +12V supply must be used, like the ACC, +12V.

Run a minimum of 18 gauge wire from the amplifier location to the source of the switched +12V lead. If possible, route this wire on the same side of the vehicle as your power cable. Connect the source remote output to the wire. Go back to the amplifier and cut the wire to length. Loosen the screw terminal marked REM on the amplifier.

FUSE REQUIREMENTS

While the panel on your PowerBass amplifier incorporates one or more fuses, these do nothing to protect the vehicle from a dangerous short circuit. It is absolutely vital that the main power lead to the amplifier(s) in the system be fused within 18-inches (45cm) of the connection to the vehicle battery. The value of this fuse (or circuit breaker) should be no greater than the sum of the fuses found on all of the equipment being connected to that power wire.



NOTE: It is highly recommended that a hand screw driver and NOT a power drill is used to tighten the set screws on the terminal blocks. This will prevent stripping or other possible damage to the amplifier.

RCA INTERCONNECT WIRING

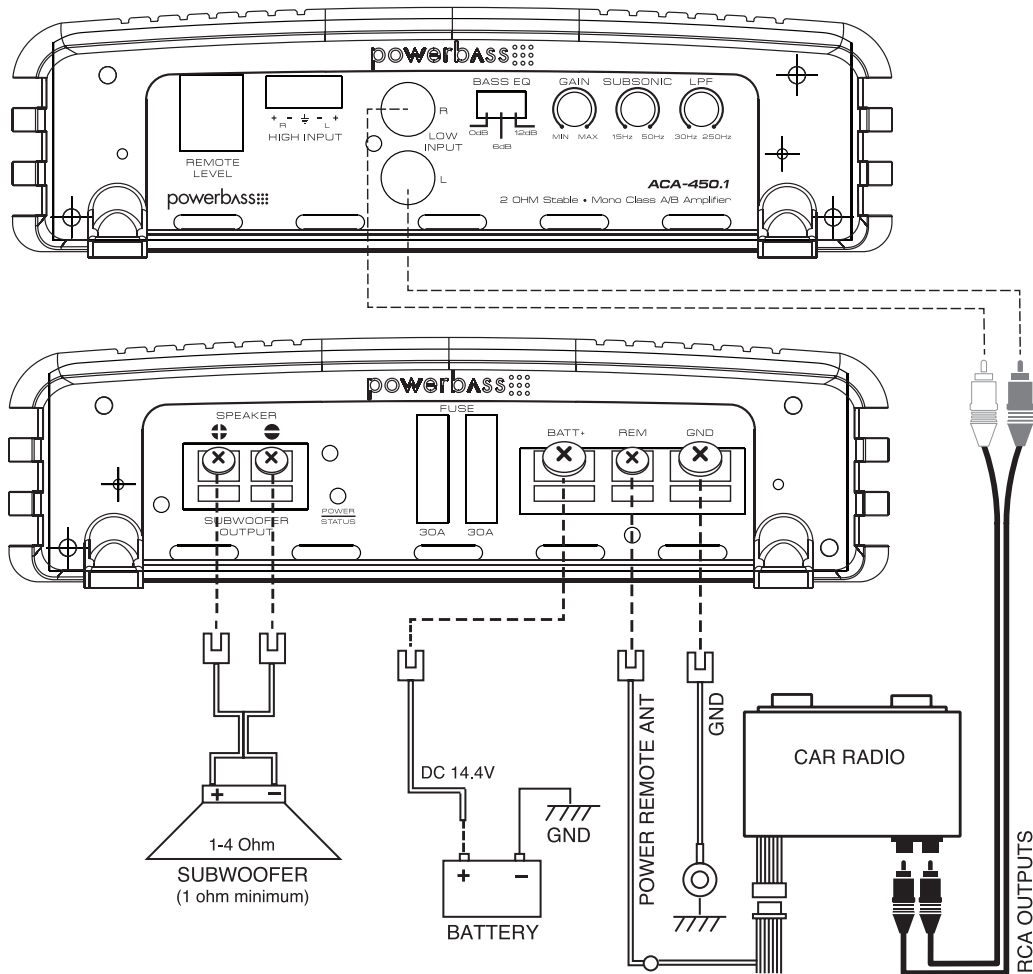


Fig.4 Low Level Input using RCA

Choose the correct length and style of RCA interconnects for your needs. Always use high quality RCA audio cables (not supplied) for signal connections—those with multiple layers of shielding or a twisted pair variety provides better noise rejection.

Be extra careful when routing your RCA audio interconnect cables. Car environments are notorious for poorly insulated wires. This means that hiss, engine noise, and fan noise can easily be picked up through RCA cables if run incorrectly.

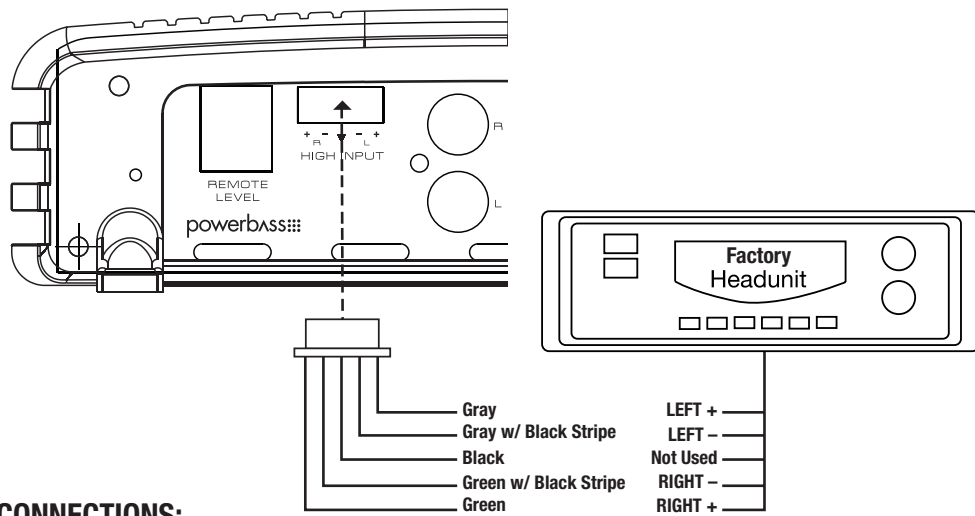
Make sure that the cables for power and audio signal are not on the same side of the vehicle and that they do not cross each other; this will help reduce any noise that may radiate from the power cable and the signal cable. If an audio cable is too close to a power cable, it may pick up the magnetic field generated by the power cable, which could lead to a loss of quality in your signal.

HIGH LEVEL CONNECTIONS (Optional)

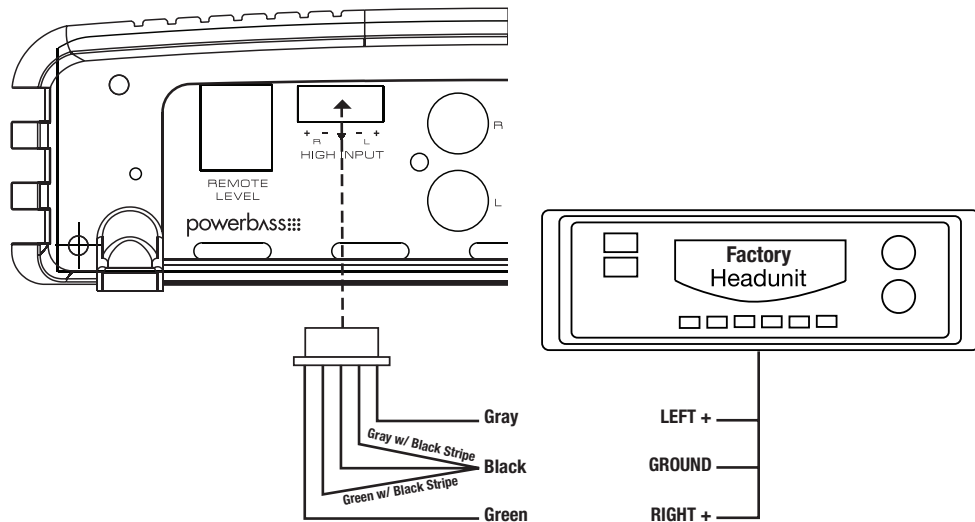
High Level inputs have been included to connect the amplifier to a radio without low-level outputs (i.e. factory radio). This connection will allow you to connect directly to the speaker output of the radio without the need of an external adapter.

Determine the type of radio you have and make one of the following connections. Do not use the High Level inputs if you have already wired the Low Level Inputs.

CAUTION! Before making any connections determine the type of radio to avoid possible damage to amplifier and/or radio.



**TWO CHANNEL CONNECTIONS:
FLOATING GROUND RADIO (MOST COMMON TYPE)**



**TWO CHANNEL CONNECTIONS:
COMMON GROUND RADIO (RARE TYPE)**

SET UP ADJUSTMENTS

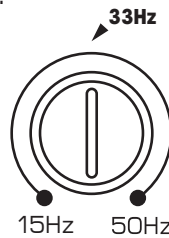


Input Gain Adjustment

This control allows you to match the input level of the amplifier to the output level of your head unit. Matching the input can be accomplished in four simple steps:

1. Make sure that the remote gain control is not plugged in until after the master gain control is set.
2. Set the GAIN control on the amplifier to Min (completely counter clock wise).
3. Turn on the head unit and adjust volume to 2/3 maximum, and set the BASS and TREBLE to zero.
4. Adjust the LEVEL control clockwise until the sound just begins to distort, then back off slightly to cut distortion and operate at optimum gain.

Remember, the **GAIN control is not a volume control**. Ignoring these four steps above may leave you with damaged speaker and/or a damaged amplifier.



Sub Sonic Adjustment

The subsonic filter is a 12 dB/octave high-pass filter, with a fully variable cutoff frequency between 15 - 50 Hz. When set at frequencies lower than 33 Hz, it conserves amplifier power without audibly affecting the quality of the sub-bass output.



LPF (Low Pass Filter) Adjustment

The crossover frequency adjustment filters out frequencies that you don't want your subwoofer(s) to reproduce. Using the LPF control, adjust the Low Pass Frequency to limit the amount of mid range you want going to your subwoofer(s). Since musical tastes vary, adjust the crossover by ear while listening to the music of your choice. Be sure to set the tone controls of your source unit to flat before adjusting the crossover

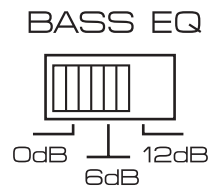


Fig.8 Selectable Bass EQ

Bass EQ Switch

This special feature is designed to provide you more powerful sound quality, and it allows you to boost the Bass EQ to either 6 or 12dB. Keep in mind that more is not always better. Setting the control to the max (12dB) will stress the amplifier and the speakers and could result in damage.

NOTE: More is not always better. By selecting 12dB you can overwork the amplifier and send the unit into thermal protection.

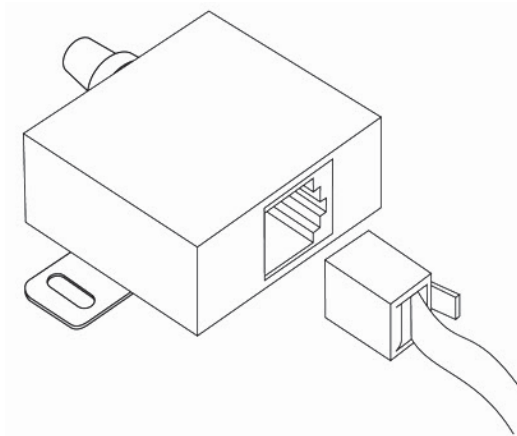


Fig.9 Control Module with Pre-wired Plug

Remote Level Controller Connection

Your PowerBass Autosound Mono amp includes a Remote Level control module. It uses standard telephone wire and telephone RJ45 connectors. To connect the Remote Level Control to the amplifier, simply insert one end of the telephone plug into the REMOTE LEVEL port. Plug the other end into the remote module. Install the module within easy reach on or under your dash.

SPEAKER WIRING AND CONFIGURATIONS

Speaker Load

Keep in mind your PowerBass Autosound Class D amp is a high power amplifier and not a high current amplifier. **In other words this amplifier requires a minimum impedance of 1-Ohm mono to operate trouble free.** Lower impedance will send the amplifier into protection and possibly damage the electronics inside.

Subwoofer Wiring

Choose the correct speaker wire for your application. We recommend a minimum of 16 gauge wire. Route these using the same precautions as you did when you ran the power cable. Terminate these wires at the subwoofer end using insulated speaker terminals (not supplied) or by soldering the connection to the subwoofer. Be certain to maintain correct polarity throughout the system. Make sure the subwoofer connections are positive-to-positive and negative-to-negative. Most speaker wire has some indicator (color code, ribbing, or printing) on one of the two wires to help you distinguish the positive (+) and negative (-) leads.

At the amplifier end, insert the speaker wires into the properly marked terminals. Use a Phillips screw driver to loosen the speaker terminals on the amplifier. Make certain that no bare wire ends touch each other. Such contact could result in an electrical short and cause the amplifier to turn off (short circuit protection) or malfunction.

DO NOT attempt to “bridge” the speaker outputs of this amplifier with the speaker outputs of a second amplifier.

NOTE: It is highly recommended that a hand screw driver and NOT a power drill is used to tighten the set screws on the terminal blocks. This will prevent stripping or other possible damage to the amplifier.

Speaker Output Configurations

1-OHM STABLE DESIGN Minimum Impedance Load is 1-OHM

Tech Support
8:30am-5:30pm Pacific Time
(909) 923-3868
www.powerbassusa.com

1. A SINGLE VOICE COIL SUBWOOFER SPEAKER

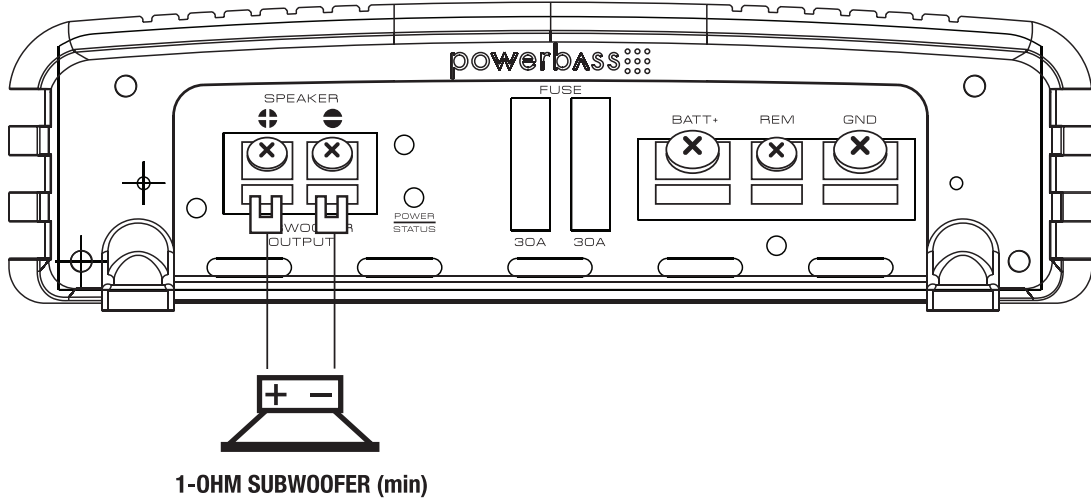


Fig.10 A Single Voice Coil Subwoofer (1~4-OHM)

2. TWO SINGLE VOICE COIL SUBWOOFER SPEAKERS

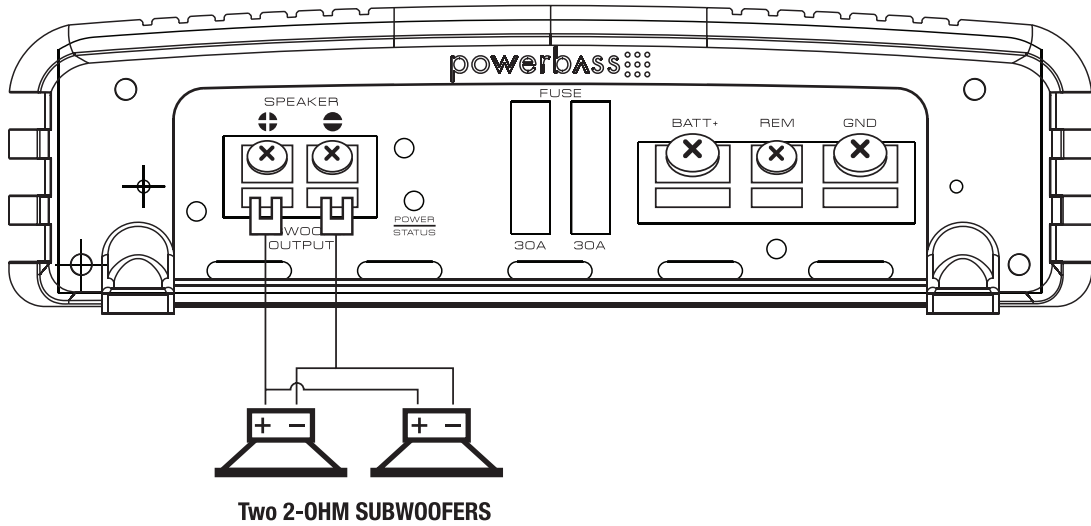
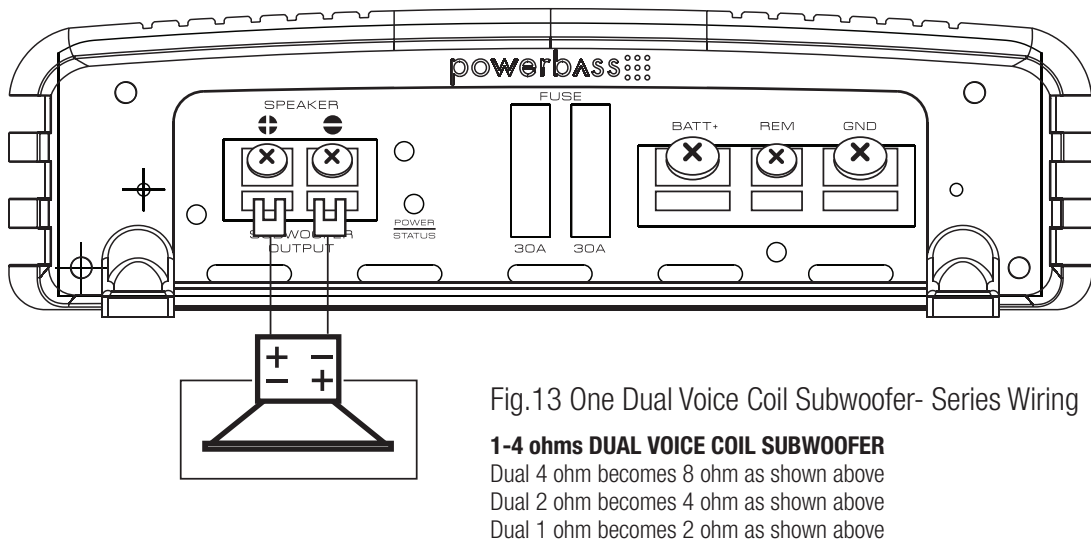
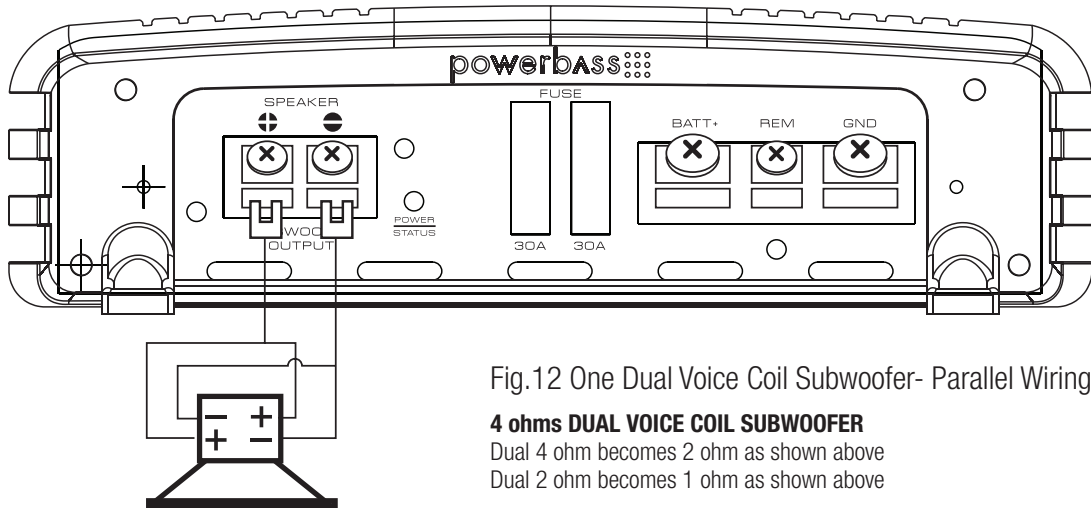


Fig.11 Two 2-Ohm Subwoofers with Single Voice Coil

3. ONE DUAL VOICE COIL SUBWOOFER SPEAKERS

Tech Support
 8:30am-5:30pm Pacific Time
 (909) 923-3868
www.powerbassusa.com



1-OHM STABLE DESIGN Minimum Impedance Load is 1-Ohm
 Maintaining proper impedance is critical when wiring the Class D model amplifiers. Improper wiring can cause severe damage to BOTH the woofer and the amplifier. Detailed wiring diagrams are supplied with all PowerBass woofers. IF YOU ARE NOT EXPERIENCED OR UNCOMFORTABLE READING THE WIRING DIAGRAMS CONSULT YOUR AUTHORIZED POWERBASS DEALER BEFORE YOU ATTEMPT TO WIRE THE SYSTEM.

For additional wiring information visit our website www.powerbassusa.com

RECOMMENDED WIRE SIZES

Power Cable Selection Chart							
Fuse Total	4Ft	4-7Ft	7-10Ft	10-13Ft	13-16 Ft	16-19 Ft	19-22 Ft
In Amperes	Length of Wire/Gauge						
150A - 200A	2 GA	2 GA	2 GA	*1/0*	*1/0*	*1/0*	*1/0*
125A - 150A	4 GA	4 GA	4 GA	4 GA	2 GA	2 GA	2 GA
105A - 125A	8 GA	8 GA	8 GA	4 GA	4 GA	4 GA	2 GA
85A - 105A	8 GA	8 GA	8 GA	4 GA	4 GA	4 GA	4 GA
65A - 85A	10 GA	8 GA	8 GA	8 GA	4 GA	4 GA	4 GA
50A - 65A	10 GA	10 GA	8 GA	8 GA	8 GA	8 GA	8 GA
35A - 50A	10 GA	10 GA	10 GA	8 GA	8 GA	8 GA	8 GA

PowerBass makes several types of amplifier wiring kits to assist with the installation of your PowerBass amplifier. Consult your local PowerBass dealer for details. For more information about recommended power wire check out our website at www.powerbassusa.com.

PERSONAL NOTES:

Name: _____

Date Purchased: _____

Dealer: _____

Installed By: _____

Model: _____

Serial Number: _____

Miscellaneous: _____

This manual is the exclusive property of PowerBass USA, Inc. Any reproduction of this manual, or use other than its intentions is strictly prohibited without the express consent of PowerBass USA, Inc. © Copyright 2013 PowerBass USA, Inc.

TROUBLESHOOTING TIPS

Problem	Solution
Power LED not ON	With a Volt Ohm Meter (VOM) check: <ul style="list-style-type: none"> • +12 Volt power terminal (should read +12 to +16VDC) • Remote turn-on terminal (should read +12 to +16VDC) • Ground Terminal
Power LED lights BLUE, no output	<ul style="list-style-type: none"> • Check RCA connections • Test speaker outputs with known good speaker • Substitute known good Source Unit • Check for signal on the RCA cable with VOM in AC position
Red Status Protection LED is ON, no output and 1. Amp is VERY HOT 2. Amp shuts down ONLY when the vehicle is running 3. Amp plays at very low volume	<ul style="list-style-type: none"> • Thermal protection is engaged. Check for proper impedance at speaker terminals. Also check for adequate air flow around the amplifier. • Voltage protection engaged. Voltage to the amp is not within the 10-16.5 VDC operating range. Have the battery/charging system inspected. • Short circuit protection is engaged. Check for speaker wires shorted to each other or the vehicle chassis. Speakers operating below the minimum impedance can cause this to occur.
Alternator noise (varies with RPM)	<ul style="list-style-type: none"> • Check for damaged RCA cable. • Check routing of RCA cable • Check Source Unit for good ground • Check amp gain setting, turn down if set too high • Check for chassis Ground short on speakers
Poor Bass Response	Check woofer polarity, reverse the connection of one speaker only.

NOTE: If the Status L.E.D. is activated and glows RED with no speakers connected to the amplifier, and all the power connections are correct, this would indicate an internal problem with the amplifier. Contact PowerBass USA or your local dealer.

SPECIFICATIONS FOR AUTOSOUND COMPACT A/B MONO CLASS AMPLIFIERS

Two Channel Models	ACA-500.1D	ACA-1000.1D
Power Output @ 14.4 VDC Input		
4 Ohms RMS Power (Watts)	200 x 1	400 x 1
2 Ohms RMS Power (Watts)	300 x 1	600 x 1
1 Ohm RMS Power (Watts)	500 x 1	1000 x 1
Peak Music Power (Watts)	1000	2000
THD @ RMS Power	0.5%	0.5%
Frequency Response	10Hz - 250Hz	10Hz - 250Hz
S/N Ratio (EIA Rated)	>90dB	>90dB
Input Sensitivity	250mV - 6.0 Volts	250mV - 6.0 Volts
Crossover Slope	12dB	12dB
Low-Pass Crossover Freq. (Hz)	30 - 250Hz	30 - 250Hz
Selectable Bass EQ	0/6dB /12dB	0/6dB /12dB
Subwoofer EQ Freq.	45Hz	45Hz
Fuses/ ATC Style	25A x 2	35A x 3
Dimension (2.0" H x 7.1" W)	9.2" L	11.5" L
Dimension (50mm H x 180mm W)	234mm L	291mm L

Important Notes:

Due to continuing improvements these specifications are subject to change without any notice.

Do not attempt to fix or repair this unit. Unauthorized repairs will void the manufacturer's warranty.

POWERBASS AUTOSOUND LIMITED WARRANTY POLICY

PowerBass USA, Inc. offers limited warranty on PowerBass products under normal use on the following terms:

PowerBass Autosound Amplifiers are to be free of defects in material and workmanship for a period of one (1) year.

This warranty applies only to PowerBass products sold to consumers by Authorized PowerBass Dealers in the United States of America. Products purchased by consumers from a PowerBass dealer in another country are covered only by that country's Distributor and not by PowerBass USA.

This warranty covers only the original purchaser of PowerBass product. In order to receive service, the purchaser must provide PowerBass with the receipt stating the consumer name, dealer, product and date of purchase.

Products found to be defective during the warranty period will be repaired or replaced (with a product deemed to be equivalent) at PowerBass's discretion and will not be liable for incidental or consequential damages. PowerBass will not warranty this product under the following situations:

- **Amplifiers received with apparent rust or corrosion**
- **Any evidence of liquid damage or exposure to excessive heat**
- **Attempted repairs or alterations of any nature**
- **Product that has not been installed according to this owners manual**

Any implied warranties including warranties of fitness for use and merchantability are limited in duration to the period of the express warranty set forth above. Some states do not allow limitations on the length of an implied warranty, so this limitation may not apply. No person is authorized to assume for PowerBass any other liability in connection with the sale of this product.

Please call (909) 923-3868 for PowerBass Customer Service. You must obtain an RA# (Return Authorization Number) to return any product to PowerBass. **The RA number must be prominently marked on the outside of the shipping carton or the delivery will be refused.** Please pack your return carefully; we are not responsible for items damaged in shipping. Return the defective product along with a copy of the original dated retail sales receipt, plus \$12.00 for handling and diagnostic evaluation to:

**PowerBass USA, Inc.,
Attn: Returns (RA# _____)
2133 S. Green Privado Ontario, CA 91761**

Residents of HI, AK and US territories will be charged for return shipping. All inquires regarding service and warranty should be sent to the above address.

Removed or altered serial numbers will void this warranty

NOTES

NOTES



PowerBass Autosound – A division of PowerBass USA, Inc.

2133 S. Green Privado – Ontario, CA 91761

Tel. (909) 923-3868 – Fax (909) 923-8048

www.powerbassusa.com