

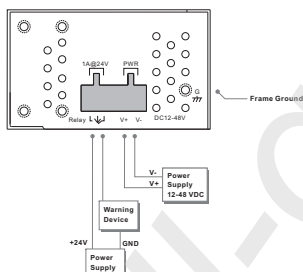
Introduction

IMG-111 Series is an innovative 1 port RS-232 M2M Gateway with 1 port 10/100Base-T(X) port. It could be configured to connect to the internet by dialing up built-in cellular modem to fulfill demands of various applications rapidly. In addition, IMG-111 Series can also transfer data into 5 host PCs simultaneously for backup purposes. Therefore, IMG-111 Series is one of the best solutions for applications of wireless and serial communication.

Features

- > Provide 1 port 10/100Base-T(X) port and 1 SIM card slot
- > 2G GSM/GPRS or 3.5G HSPA Modem included
- > Support Open VPN, PPTP VPN
- > Support DHCP forwarding through PPTP function.
- > Support IPsec VPN
- > Update DNS Hostname: DDNS
- > Versatile modes & event alarm by e-mail.
- > Event warning by Syslog, Email, SNMP Trap, Relay output
- > Redundant multiple host devices:
- > 5 host devices: Virtual COM, TCP Server, TCP Client mode; UDP: 4 IP Ranges
- > 12~48VDC power input on terminal block
- > Rigid IP-30 housing design
- > DIN-Rail and panel mounting enabled

Power Connection Guide



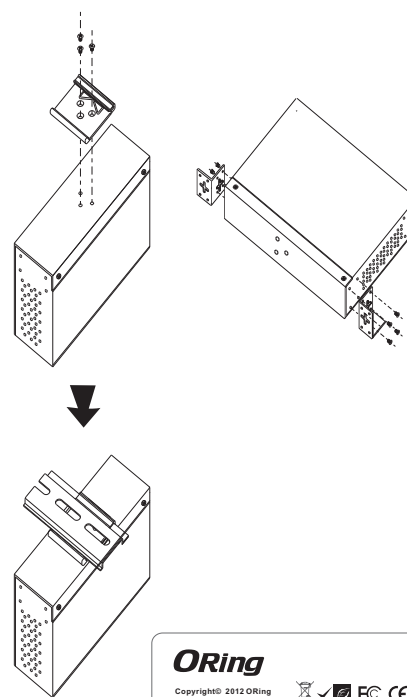
Specifications

ORing M2M Model	IMG-111	IMG-111-2G
Physical Ports		
10/100 Base-T(X) Ports in RJ45 Auto MDI/MDIX	1	
SIM Card Slot	1	
Cellular Interface		
Cellular Standard	GSM / GPRS / EGPRS / EDGE / WCDMA / HSDPA / HSUPA	GSM / GPRS
Band Option	Dual-band / HSPA 1900/2100 MHz Quad-band / GSM / GPRS / EDGE 850/900/1800/1900 MHz / WCDMA / HSDPA 850/900/1900/2100 MHz	Dual-band (Quad-band) GSM/GPRS 900/1800MHz or 900MHz/1800MHz/850MHz/1900MHz
Antenna Connector	Reverse SMA	
Antenna	GSM/GPRS/LMGT antenna x 1	
Serial Ports		
Connector	DB9 Male x 1	
Operation Mode	RS-232	
Serial Baud Rate	150bps to 115.2Kbps	
Data Bits	5, 6, 7, 8	
Parity	odd, even, none, mark, ignore	
Stop Bits	1, 1.5, 2	
Serial signals	RS-232 Tx, Rx, GND	
LED Indicators		
Power Indicator	Green on: Power is on	
Status Indicator	Green: System status indication	
Fault Indicator	Amber on: WAN connection link down	
WAN	Green on: Cellular modem is present Green Blinking: Cellular modem is transmitting data	
Serial TX/RX LED	Red: Receiving data Green: Transmitting data	
10/100Base-T(X) RJ45 Port Indicator	Green for port Link / Act. Amber for 100Mbps indicator	
Fault Contact		
Relay	Relay output to carry capacity of 1A at 24VDC	
Power		
Input Power	12~48VDC power input on terminal block	
Power Consumption	4.5 Watts	
Physical Characteristic		
Enclosure	IP-30	
Dimension (W x D x H)	41(W) x 70(D) x 95(H)mm (1.61x 2.76 x 3.74inch.)	
Weight (g)	388g	
Environmental		
Storage Temperature	-40 to 85°C (-40 to 185°F)	
Operating Temperature	-10 to 60°C (14 to 140°F)	
Operating Humidity	5% to 95% Non-condensing	
Regulatory Approvals		
EMI	FCC Part 15, CISPR (EN55022) class A	
EMS	EN61000-4-2 (ESD), EN61000-4-3 (RF), EN61000-4-4 (EFT), EN61000-4-5 (Surge), EN61000-4-6 (CS), EN61000-4-8, EN61000-4-11	
Warranty	3 years	

Installation

Din-Rail Install Step

Wall-mounted Install Step



ORing
Copyright © 2012 ORing
All rights reserved.

FC CE

ORing Industrial Networking Corp.
TEL: +886-2-2218-1956 Website: www.oring-networking.com
FAX: +886-2-2218-1914 E-mail: support@oring-networking.com



Quick Installation Guide

IMG-111 Series

Industrial M2M Gateway

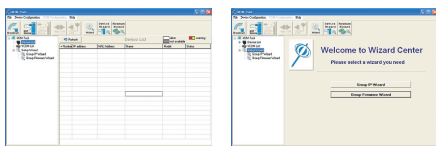
Application

IMG-111 Series, it support 3.5G/2G Modem dial up. The utility-M2M-Tool which is used to manage and monitor all of the serial ports on IMG-

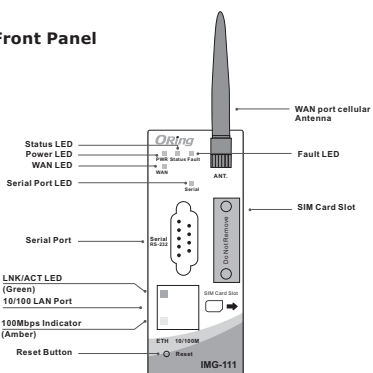
M2M Gateway Connection



Monitoring and Configuration



Front Panel



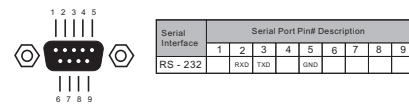
Accessory

- ① 4-Pin Terminal block
- ② Dust Cover (RJ-45)
- ③ Screw (M3 X3)
- ④ Wall-mounted kit
- ⑤ 40mm DIN-Rail kit
- ⑥ Power Cable with power jack
- ⑦ QIG
- ⑧ Cellular Antenna
- ⑨ Allen Key (For SIM card Slot)
- ⑩ CD

Packing list

Model name	Model Description	Accessory
IMG-111	Industrial Cellular 3.5G VPN Router with 1 x 10/100Base-T(X) 1 x RS-232 M2M Gateway	<ul style="list-style-type: none"> ⊗ X1 ⊗ X1 ⊗ X 8, ⊗ X2 ⊗ X1 ⊗ X1, ⊗ X1 ⊗ X1 ⊗ X1, ⊗ X1
IMG-111-2G	Industrial Cellular 2G VPN Router with 1 x 10/100Base-T(X) 1 x RS-232 M2M Gateway	<ul style="list-style-type: none"> ⊗ X1, ⊗ X1, ⊗ X 8, ⊗ X2, ⊗ X1, ⊗ X1, ⊗ X1, ⊗ X1, ⊗ X1, ⊗ X1

Serial Port Assignment



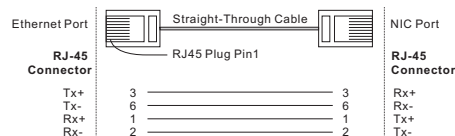
Communication Connections

10/100Base-T(X) Ethernet Port Connection

RJ45 (8-pin, MDI) Port Pinouts RJ45 (8-pin, MDI-X) Port Pinouts

Pin	Signal	Pin	Signal
1	Tx+	1	Rx+
2	Tx-	2	Rx-
3	Rx+	3	Tx+
6	Rx-	6	Tx-

RJ45 (8-pin) to RJ45 (8-Pin) Straight-Through Cable Wiring



RJ45 (8-pin) to RJ45 (8-Pin) Cross-Over Cable Wiring

