

## WASHER

### Repair Parts List

MODEL NUMBER

PAV2300AWW

When requesting service or ordering parts, always provide the following information:

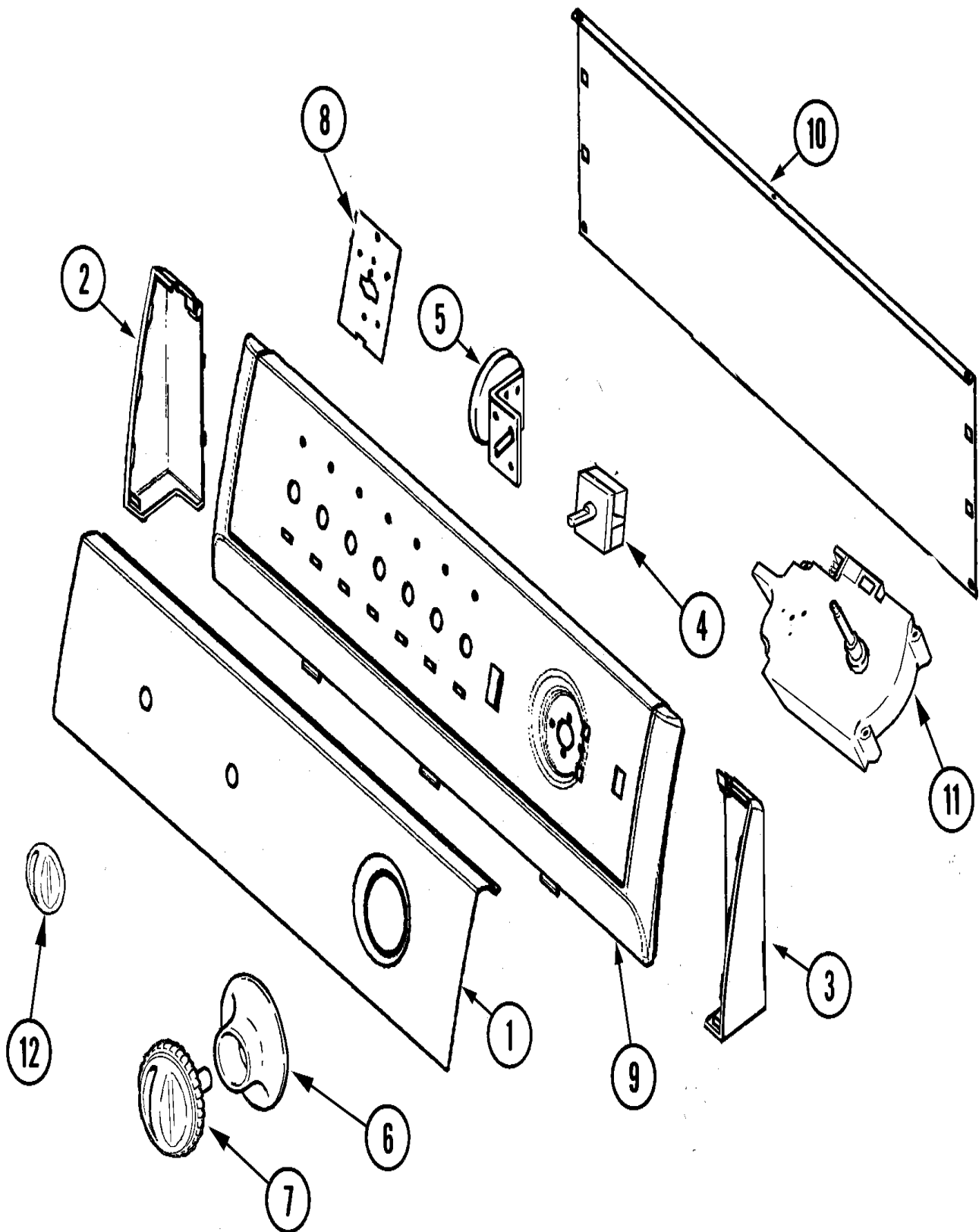
- Product Type
- Part Number
- Model Number
- Part Description

# **MAYTAG**®

©2005 Maytag Services

Section: CONTROL PANEL

Model: PAV2300AWW



LW11-122

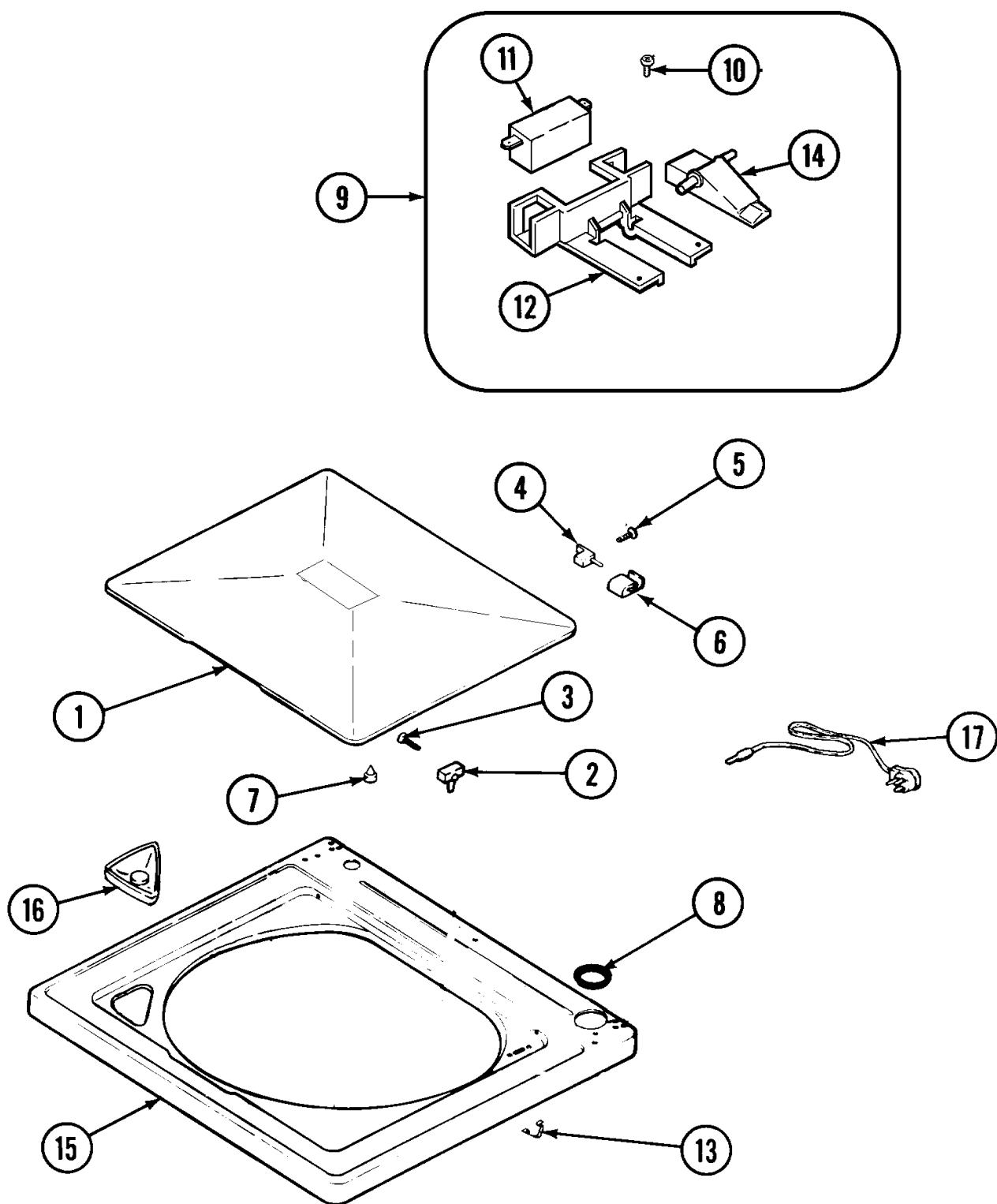
**Section: CONTROL PANEL**

No.	Part No.	Description	Series	Qty
1	21001729	PANEL, CONTROL (WHT)	10	1
2	21001519	ENDCAP (WHT-LT) Note: CAP, END (LT) (WHT)	10	1
-	25-3092	SCREW Note: SCREW, END CAP	10	2
-	25-3092	SCREW Note: SCREW, END CAP	10	2
3	21001523	ENDCAP (WHT-RT) Note: CAP, END (RT) (WHT)	10	1
4	21001226	SWITCH, WATER TEMP. 4 POSITION	10	1
-	25-3092	SCREW Note: SCREW, SWITCH	10	2
5	21001554	SWITCH, WATER LEVEL	10	1
5	21001554	SWITCH, WATER LEVEL	16	1
5	21001882	SWITCH, PRESSURE (EMZ)	18	1
5	21001882	SWITCH, PRESSURE (EMZ)	20	1
5	21001882	SWITCH, PRESSURE (EMZ)	15	1
-	25-3092	SCREW Note: SCREW, SWITCH	10	2
6	21001600	SKIRT, TIMER (WHT)	10	1
7	21001594	KNOB, TIMER (WHT)	10	1
8	21001517	SHIELD, CONTROL (1 POS.)	10	2
-	31001193	PAD, SHIELD	10	3
-	53-2504	SPACER, CONTROL SHIELD	10	2
9	21001604	FRAME, CONTROL PANEL (WHT)	10	1
10	21001527	SHIELD, REAR (BACK PANEL)	10	1
-	25-3457	SCREW, SEMS Note: SCREW, REAR SHIELD (SEMS)	10	1
-	25-3092	SCREW Note: SCREW, REAR SHIELD	10	2
11	21001522	TIMER	10	1
-	25-3092	SCREW Note: SCREW, TIMER	10	2
12	21001525	KNOB, SELECTOR (WHT) Note: KNOB, SELECTOR (WHT)	10	1
-	21001571	MANUAL, USE & CARE Note: INSERT, USE & CARE	10	1
-	21001419	MANUAL, LAUNDERING TIPS	10	1
-	21001717	MANUAL, USE & CARE (TRILINGUAL)	10	1
-	21001883	HARNESS, WIRING	18	1
- N	21001787	HARNESS, WIRE	16	1
-	21001883	HARNESS, WIRING	15	1
- N	21001787	HARNESS, WIRE	10	1
-	21001883	HARNESS, WIRING	20	1
-	12002417	WIRE KIT (HERRIN LAUNDRY)	10	1

\*Color Code (-)=Not Shown #=Series, Serial Prefix or Run No., N=Not Available

Section: TOP

Model: PAV2300AWW



LW16-12

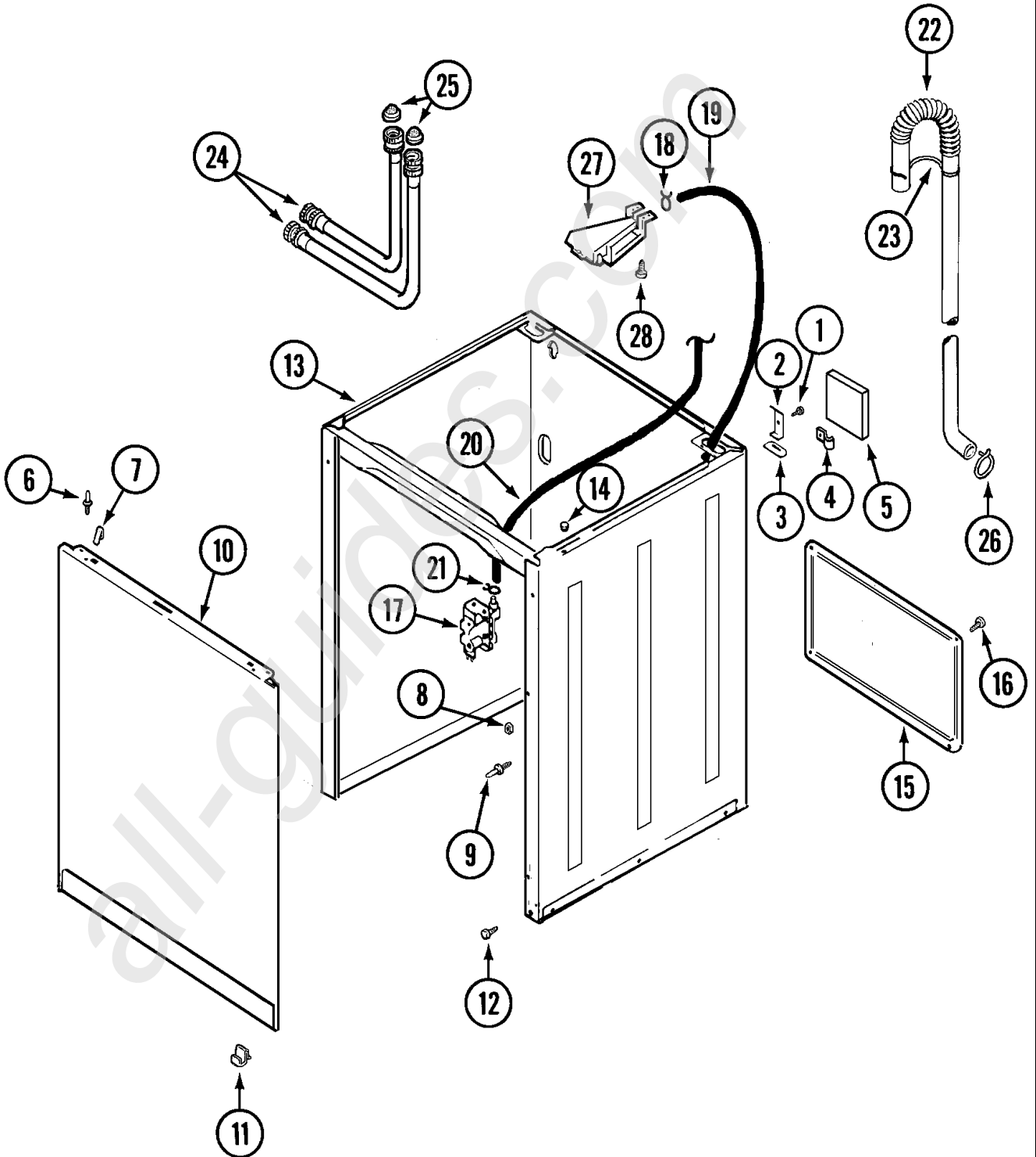
**Section: TOP**

No.	Part No.	Description	Series	Qty
1	35-2026	LID (WHT) (DOOR)	10	1
2	43-0057	ACTUATOR, DOOR SWITCH	10	1
3	25-7438	SCREW Note: SCREW, ACTUATOR	10	1
4	35-2045	PIN, HINGE	10	2
5	25-7893	SCREW Note: SCREW, HINGE PIN	10	2
6	35-2044	HINGE, LID	10	2
7	35-0581	BUMPER, DOOR (LID) Note: BUMPER, LID	10	2
8	35-2063	BUSHING, INSULATOR Note: BUSHING, INSULATOR (LARGE)	10	1
9	21001137	LID SWITCH ASSY.-W/LEADS Note: LID SWITCH ASSY. (W/LEADS)	10	1
10	21001136	SCREW, SWITCH/HOUSING Note: SCREW, LID SWITCH	10	2
11	21001148	SWITCH, LID/DOOR SAFETY SPIN	10	1
12	21001135	HOUSING, LID SWITCH	10	1
13	N 25-7878	CLIP Note: CLIP, LID SWITCH LEVER	10	1
14	21001134	LEVER, LID SWITCH	10	1
15	21001602	TOP, CABINET (WHT)	10	1
16	21001597	DISPENSER, BLEACH	10	1
17	21001592	CORD, POWER	10	1

\*Color Code (-)=Not Shown #=Series, Serial Prefix or Run No., N=Not Available

Section: CABINET

Model: PAV2300AWW



LW12-3

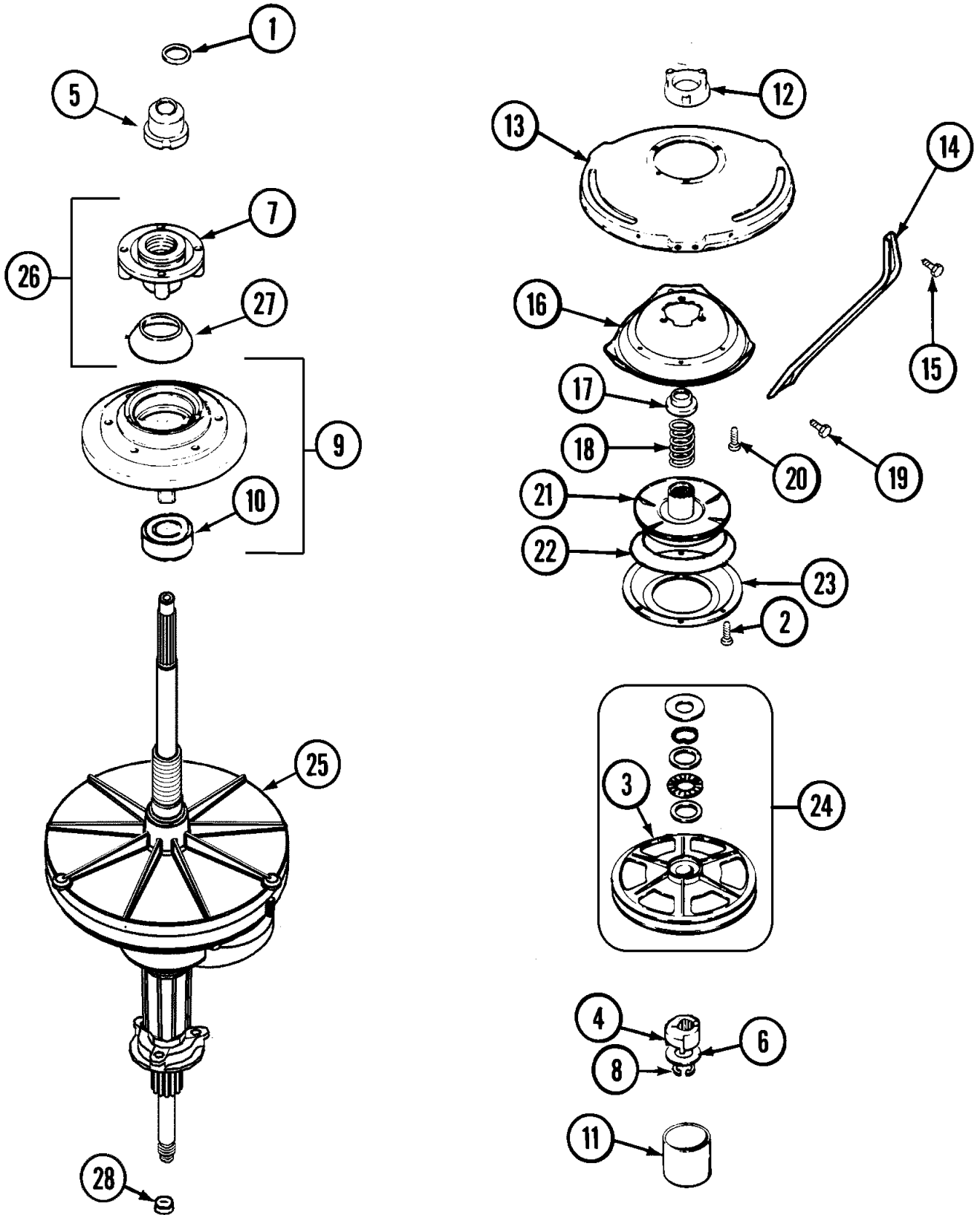
**Section: CABINET**

No.	Part No.	Description	Series	Qty
1	25-7893	SCREW Note: SCREW, HINGE	10	2
2	35-2846	HINGE, CABINET TOP	14	2
2	21001751	HINGE, CABINET (PLASTIC)	13	2
2	35-2846	HINGE, CABINET TOP	10	2
3	35-4128	PAD, HINGE	10	2
4	25-7027	CLIP, WIRING Note: CLIP, FOAM PAD	10	1
5	N 35-0706	PAD, FOAM	10	1
6	53-0643	PIN, LOCATOR	10	2
7	25-7220	CLIP, CABINET TOP	10	2
8	25-0224	NUT, LOCATOR PIN	10	2
9	53-0643	PIN, LOCATOR	10	2
-	53-0200	SLEEVE, LOCATOR PIN	10	2
10	35-2084	PANEL, FRONT (WHT)	10	1
-	21001281	DAMPER, SOUND PAD	10	2
-	25-7732	SCREW Note: SCREW, CLIP	10	2
11	53-0120	CLIP, FRONT PANEL	10	2
12	35-4129	BUMPER, CABINET	10	4
13	35-2106	CABINET ASSY. (WHT) Note: CABINET ASSEMBLY (WHT)	10	1
13	12001801	KIT, CABINET/REAR SHIELD (WHT)	14	1
13	21001753	ASSEMBLY, CABINET (WHT)	13	1
14	33-2653	BUMPER, CABINET Note: BUMPER, CABINET	10	1
15	35-2108	SHIELD,REAR(NLA,ORDER CAB KIT)	10	1
16	25-7732	SCREW Note: SCREW, REAR SHIELD	10	2
17	21001396	VALVE, WATER (120V)	10	1
17	21001747	VALVE, WATER	14	1
18	25-7867	CLAMP Note: CLAMP, INLET HOSE	10	2
19	35-2378	HOSE, FLUME/DIVERTER (RUBBER)	10	1
20	21001060	HOSE, PRESSURE SWITCH	10	1
21	25-7796	CLAMP, PRESSURE SWITCH HOSE	10	2
22	21001512	HOSE, DRAIN (CUFF)	10	1
23	33-9537	RETAINER Note: RETAINER, DRAIN HOSE	10	1
24	33-7891	HOSE, 4' INLET	10	1
24	35-0874	HOSE, INLET	10	1
25	33-4264N	STRAINER & WASHER KIT	10	2
26	25-7080	CLAMP, DISCHARGE HOSE Note: CLAMP, DRAIN HOSE	10	1
27	35-2051	FLUME, WATER INLET	10	1
28	25-3092	SCREW Note: SCREW, FLUME	10	2

\*Color Code (-)=Not Shown #=Series, Serial Prefix or Run No., N=Not Available

Section: TRANSMISSION

Model: PAV2300AWW



LW15-23



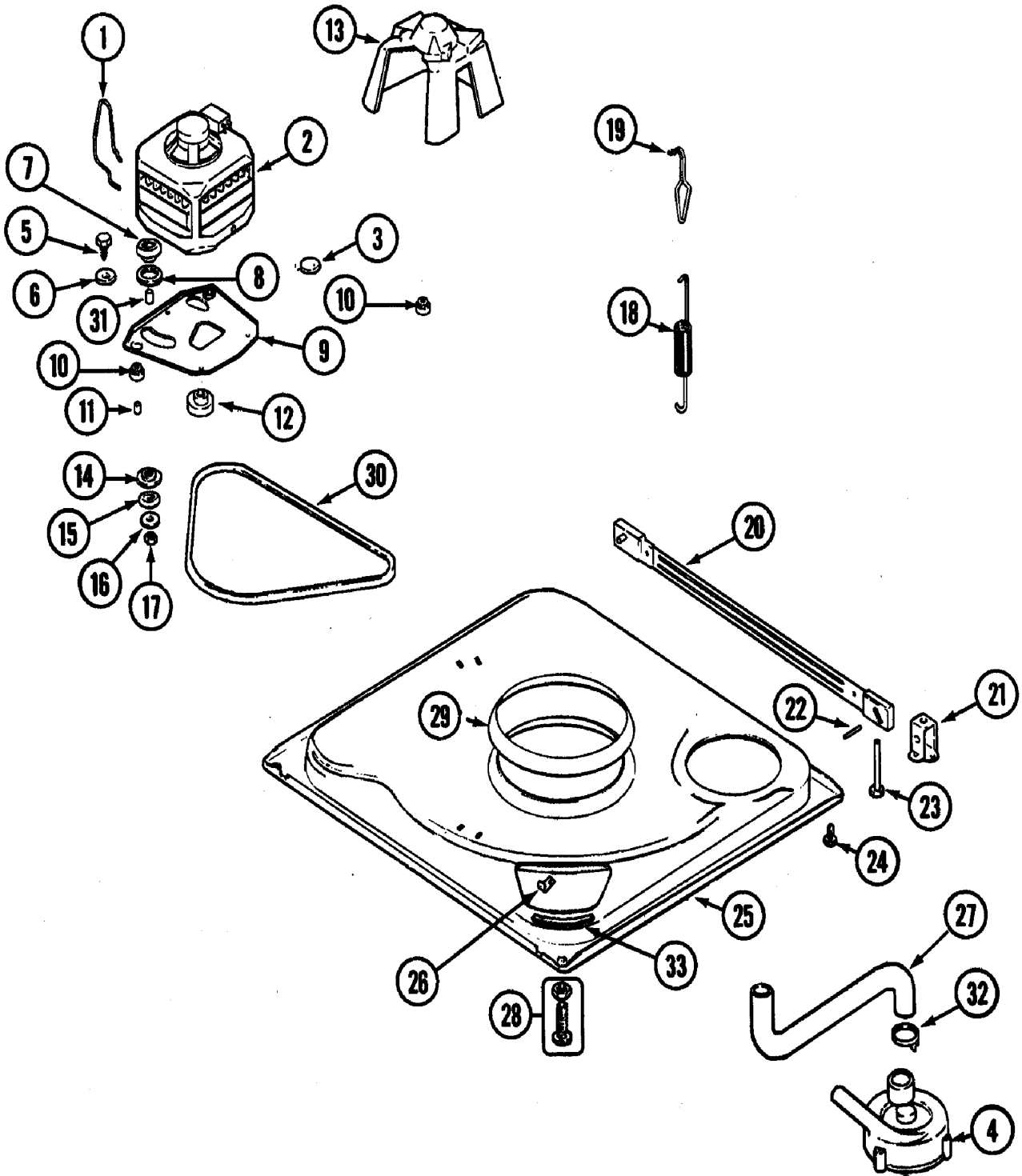
**Section: TRANSMISSION**

No.	Part No.	Description	Series	Qty
1	25-7941	"O" RING Note: "O" RING, AGTR DRIVE SHAFT	10	1
2	21001065	SCREW,#10-24X.50 HXNIBHD Note: SCREW, STATOR	10	6
3	12001797	KIT, PULLEY & DUST CAP	12	1
3	35-3829	PULLEY, DRIVE Note: PULLEY, DRIVE (PLASTIC)	10	1
4	LA-2007	CAM REPLACEMENT KIT	10	1
5	21001533	SEAL NUT ASSEMBLY	10	1
-	35-2132	WASHER,1.25ODX.530IDX.032 Note: WASHER, FLAT	10	1
6	35-2082	WASHER,1.25ODX.530IDX.062 Note: WASHER, FLAT	10	1
7	21001515	BASKET HUB ASSEMBLY	10	1
8	25-7854	RING, RETAINING	10	1
9	21001508	HOUSING/BEARING ASSY.	10	1
10	35-2205	BEARING, SPIN	10	1
11	35-2007	CAP, DUST	10	1
11	-----	NOT REQUIRED PART OR SEE NOTE Note: KITTED WITH PULLEY ITEM #3	12	1
12	21001511	HOUSING/LWR.BEARING ASSY.	10	1
-	35-2205	BEARING, SPIN	10	1
13	21001518	SUPPORT, TUB	10	1
14	21001532	BRACE, TUB	10	3
15	25-7895	SCREW, SUSP HSG TO LWR BRG ASY Note: SCREW, TUB BRACE	10	6
16	21001163	HOUSING, SUSPENSION	10	1
17	35-2017	RETAINER, BRAKE SPRING	10	1
18	31001285	SPRING, BRAKE	10	1
19	25-7930	SCREW 5/16-18X3/4 Note: SCREW, TUB BRACE	10	6
20	21001509	SCREW,HIGH PERFORMANCE PLASTIC Note: SCREW, SUSPENSION HOUSING	10	3
21	35-2948	BRAKE ROTOR & LINING ASSY Note: BRAKE ROTOR & LINING ASSEMBLY	10	1
22	21001161	SNUBBER	10	1
23	35-2018	STATOR, BRAKE	10	1
24	12500036	THRUST BEARING KIT	10	1
25	21001536	TRANS. ASSY.(W/O SEAL/BEARING) Note: TRANSMISSION ASSY.(DUAL DRIVE)COMPONENTS OF THIS ASSEMBLY NOT SOLD SEPARATELY	10	1
26	12001598	TUB SEAL ASSEMBLY Note: (INCL TUB SEAL, TUB GASKET BASKET GASKET)	10	1
27	35-2974	TUB SEAL/HUB ASSY (HT TRANS) Note: SEAL, TUB	10	1
28	35-2010	SEAL,TRANSMISSION HOUSING(LIP)	10	1

\*Color Code (-)=Not Shown #=Series, Serial Prefix or Run No., N=Not Available

Section: BASE

Model: PAV2300AWW



LW10-36

**Section: BASE**

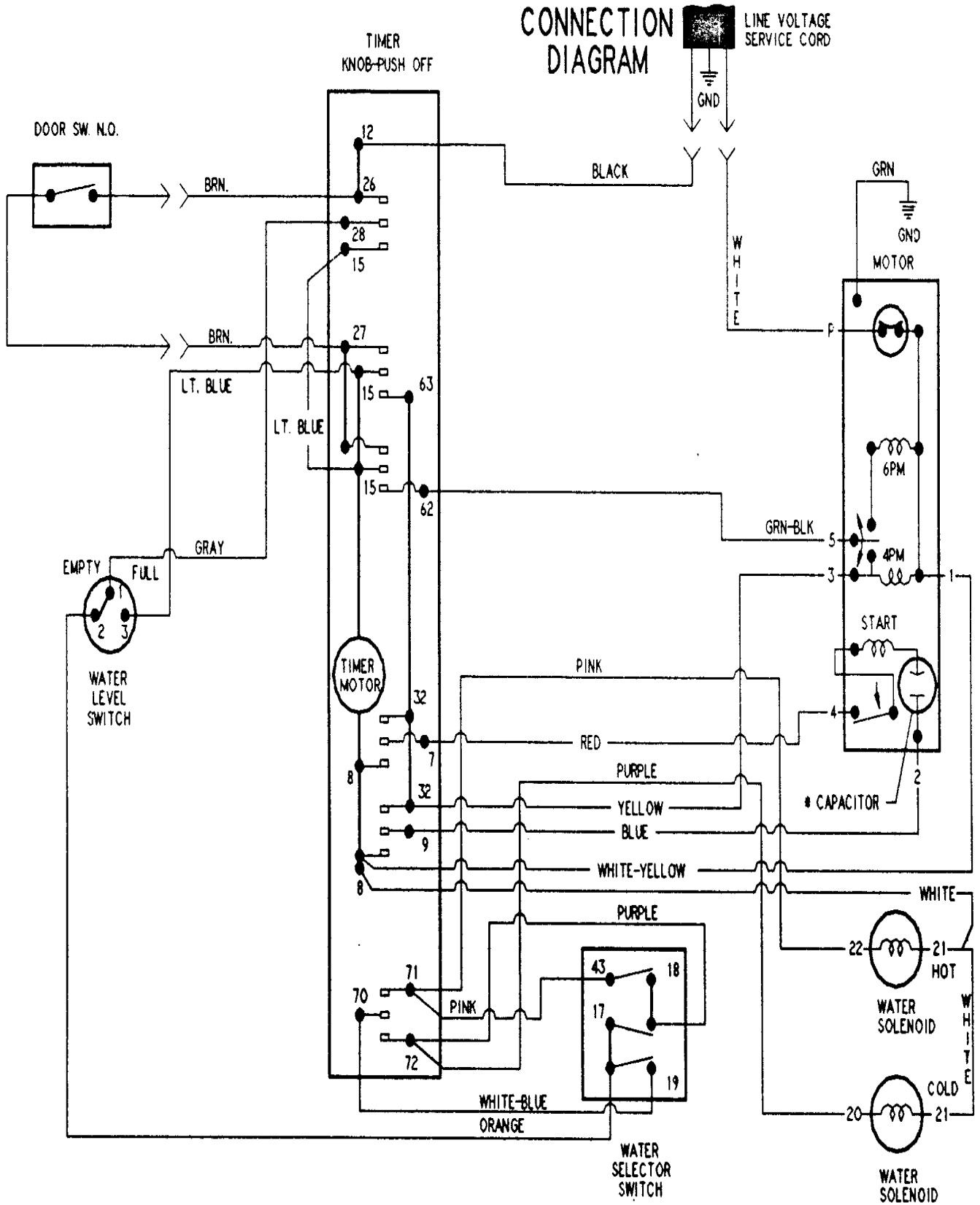
No.	Part No.	Description	Series	Qty
1	21001110	SPRING, MOTOR PIVOT	10	1
2	21001516	MOTOR & PULLEY ASSY.	10	1
3	21001109	SLIDE, FOOT	10	1
4	21001873	PUMP	16	1
4	35-2099	PUMP ASSY (COMPLETE) Note: PUMP ASSEMBLY (COMPLETE)	10	1
5	25-7833	SCREW	10	2
6	25-7834	WASHER	10	2
7	33-9946	ISOLATOR, MOTOR	10	2
8	35-3570	WASHER, MOTOR PIVOT Note: WASHER, PIVOT	10	2
9	21001111	PLATE, MOTOR	10	1
10	35-3646	ISOLATOR, MOTOR PLATE	10	3
11	25-7831	SPACER Note: SPACER, MOUNTING	10	2
-	25-7117	SET SCREW Note: SCREW, SET	10	1
12	21001506	PULLEY, MOTOR-60 HZ	10	1
13	22002721	SHIELD, MOTOR	10	1
14	35-3571	SLIDE, MOTOR PIVOT Note: SLIDE, MOTOR	10	2
15	33-9967	WASHER, MOTOR ISOLATOR	10	2
16	25-7047	WASHER, FLAT	10	2
17	25-7325	NUT, MOTOR PLATE ASY TO MOTOR Note: NUT, MOTOR PLATE ASSEMBLY	10	2
18	21001598	SPRING, SUSPENSION	10	6
19	21001166	HOOK, SUSPENSION SPRING	10	3
20	35-2049	BAR, STABILIZER (WITH GUIDE)	10	1
21	35-2046	BRACKET, STABILIZER	10	2
22	35-2052	PIN, STABILIZER	10	2
23	35-3020	FOOT PAD ASSY. (REAR) Note: FOOT & PAD ASSEMBLY (REAR)	10	2
24	31001041	SCREW Note: SCREW, BRACKET/BASE	10	6
25	21001893	BASE, WASHER	16	1
25	21001169	BASE	10	1
26	25-7845	SPEEDNUT Note: SPEEDNUT, MOTOR	10	2
27	35-3584	HOSE, TUB TO PUMP Note: HOSE, TUB	10	1
27	21001915	HOSE, TUB TO PUMP	16	1
28	35-3507	FOOT & PAD ASSY Note: FOOT & PAD ASSEMBLY (FRONT)	10	2
29	21001161	SNUBBER	10	1
30	21352320	BELT, DRIVE	10	1
-	35-2512	BELT SHIELD Note: SHIELD, BELT	10	1
31	25-7830	SPACER	10	2
32	25-6068	CLAMP, HOSE	10	2
33	35-2065	PAD, MOTOR PLATE	10	1

\*Color Code (-)=Not Shown #=Series, Serial Prefix or Run No., N=Not Available

Section: WIRING INFORMATION

Model: PAV2300AWW

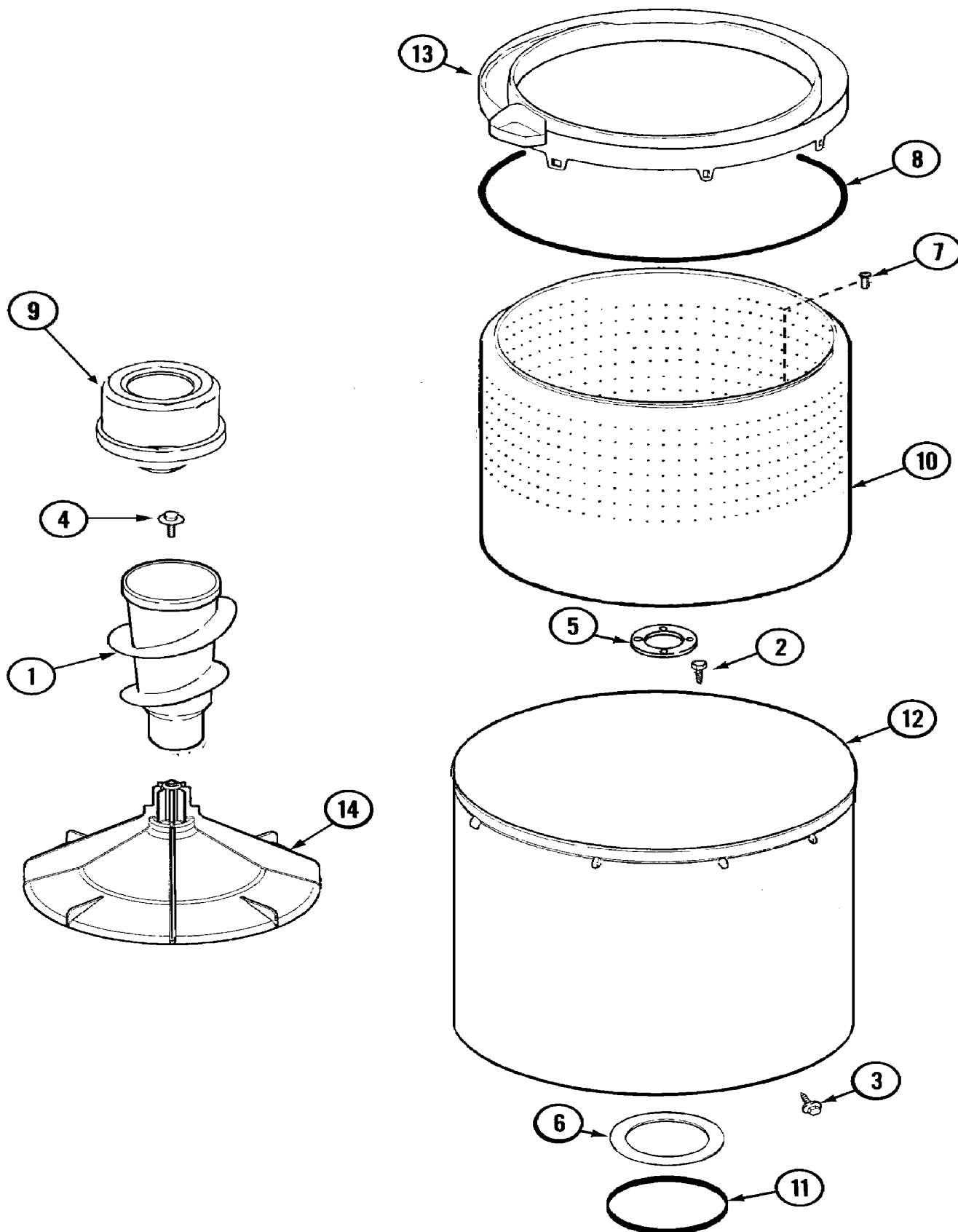
CONNECTION DIAGRAM



15002615

Section: TUB (PAV2300)

Model: PAV2300AWW



LW13-58

**Section: TUB (PAV2300)**

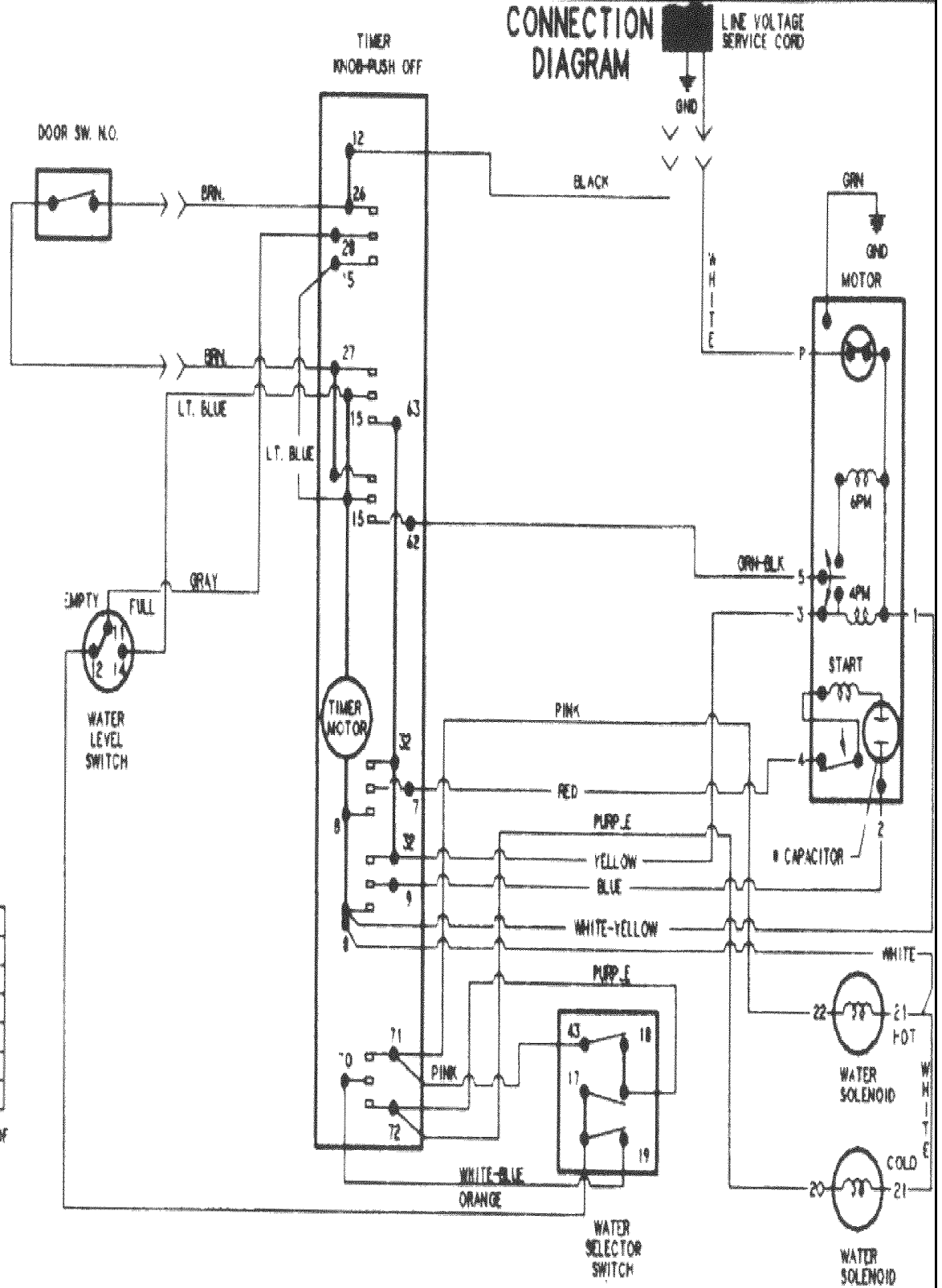
No.	Part No.	Description	Series	Qty
1	22003437	ASSY, AUGER & POST(ASPK-PRFP)	10	1
2	21001510	SCREW Note: SCREW, TUB	10	4
3	25-7953	SCREW Note: SCREW, TUB	10	6
4	25-7948	SCREW, AGITATOR RETENTION Note: BOLT, AGITATOR	10	1
5	35-3685	GASKET, BASKET TO CENTERPOST Note: GASKET, BASKET	10	1
6	35-3686	GASKET, TUB TO HOUSING Note: GASKET, TUB	10	1
7	25-7967	SCREW, SHOULDER Note: SCREW, BASKET	10	4
8	35-2328	SEAL, TUB TOP Note: SEAL, TUB TOP	10	1
9	21001905	DISPENSER, FABRIC (ONE PIECE)	10	1
10	21001529	BASKET ASSEMBLY (PLASTIC)	10	1
11	35-2978	SEAL, TUB/HOUSING	10	1
12	35-3700	TUB ASSEMBLY (PLASTIC) Note: TUB ASSEMBLY	10	1
13	21001531	TOP, TUB (PLASTIC) Note: TOP, TUB	10	1
14	21001530	BASE, AGITATOR	10	1

\*Color Code (-)=Not Shown #=Series, Serial Prefix or Run No., N=Not Available

Section: WIRING INFORMATION PAV2300AWW SERIES 15

Model: PAV2300AWW

CONNECTION DIAGRAM



WATER SELECTOR SWITCH	
POSITION	CIRCUIT
H-C	17-19
W-W	17-18-19-43
W-C	17-18-19
C-C	17-18

COVERED BY ONE OR MORE OF THE FOLLOWING PATENTS  
 3,057,218 3,588,018  
 3,267,703 3,590,440  
 3,388,568 3,612,095  
 3,390,554 3,782,608  
 3,536,412 3,899,320  
 4,914,781 4,949,923

35-6590 "A"

## Section: WIRING INFORMATION PAV2300AWW SERIE

No.	Part No.	Description	Series	Qty
-	N 15003059	WIRING INFORMATION	15	1

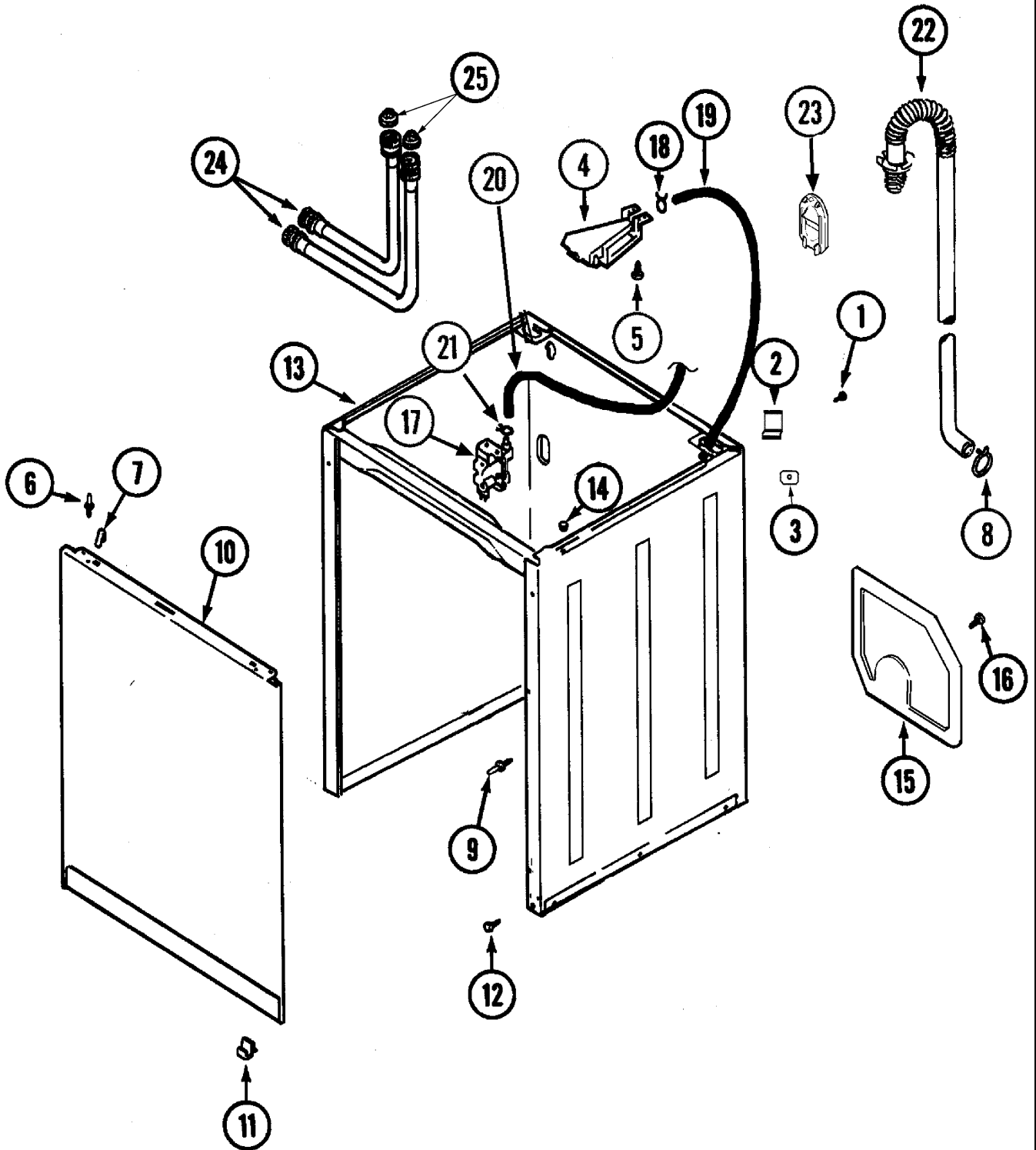
all-guides.com

\*Color Code (-)=Not Shown #=Series, Serial Prefix or Run No., N=Not Available



Section: CABINET (PAV2300AWW SERIES 16)

Model: PAV2300AWW



LW12-100

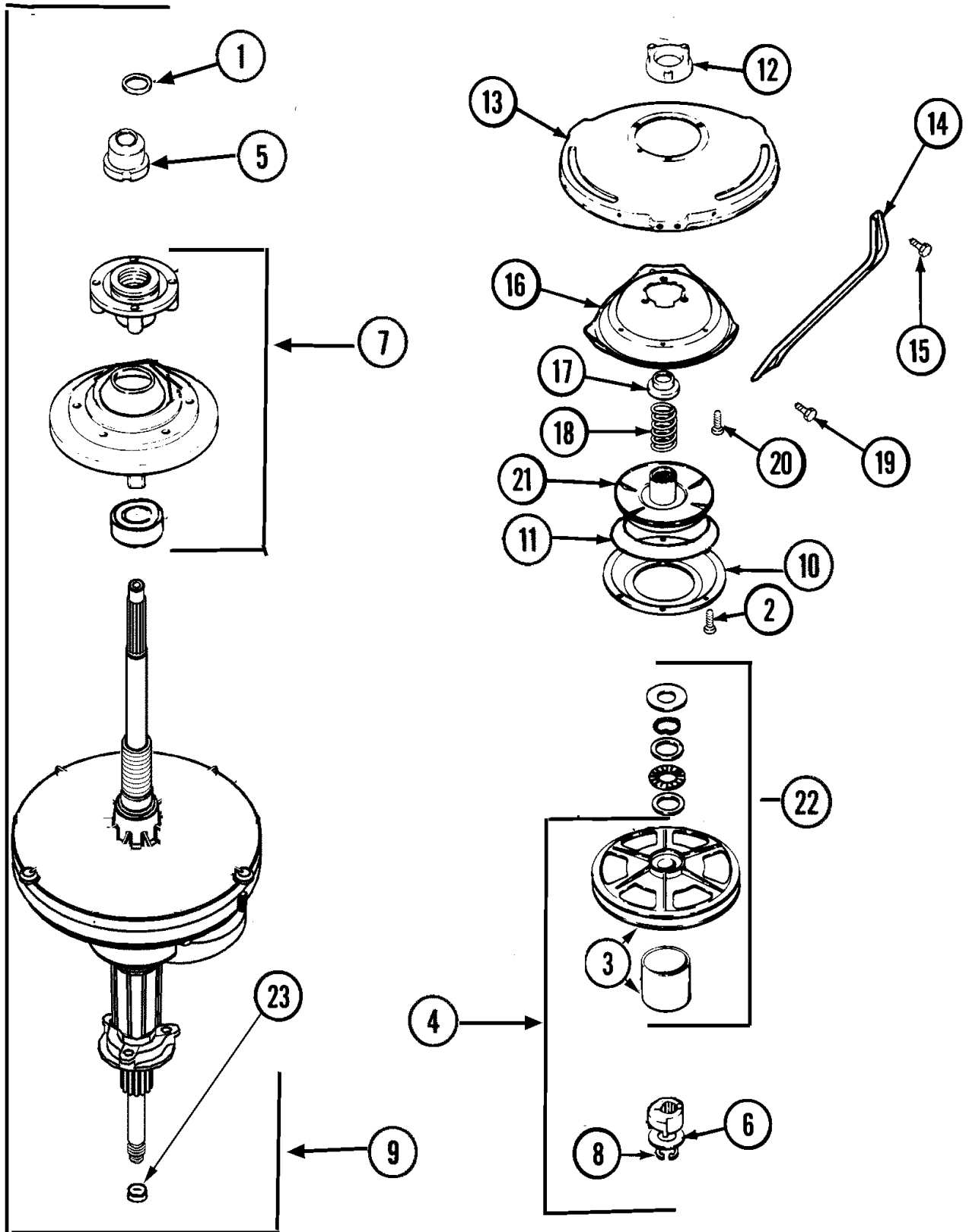
**Section: CABINET (PAV2300AWW SERIES 16)**

No.	Part No.	Description	Series	Qty
1	25-7893	SCREW	16	2
2	35-2846	HINGE, CABINET TOP	16	2
3	35-4128	PAD, HINGE	16	2
4	21001760	FLUME ASSEMBLY /WATER DIVERTER	16	1
5	25-3092	SCREW	16	2
-	53-0200	SLEEVE, LOCATOR PIN	16	2
-	25-0224	NUT, LOCATOR PIN	16	2
6	53-0643	PIN, LOCATOR	16	2
7	25-7220	CLIP, CABINET TOP	16	2
8	21001875	CLAMP, HOSE	16	1
9	21001829	POST, LOCATING	16	2
10	35-2084	PANEL, FRONT (WHT)	16	1
-	21001281	DAMPER, SOUND PAD	16	2
-	25-7732	SCREW	16	2
11	53-0120	CLIP, FRONT PANEL	16	2
12	35-4129	BUMPER, CABINET	16	2
13	21001871	CABINET (WHT)	16	1
14	33-2653	BUMPER, CABINET	16	6
15	21001876	SHIELD, REAR	16	1
16	25-7732	SCREW	16	2
17	21001747	VALVE, WATER	16	1
18	25-7867	CLAMP	16	2
19	35-2378	HOSE, FLUME/DIVERTER (RUBBER)	16	1
20	21001749	HOSE, PRESSURE SWITCH	16	1
21	25-7796	CLAMP, PRESSURE SWITCH HOSE	16	2
22	21001872	HOSE, DRAIN (W/BEND&STAY)	16	1
23	21001874	OUTLET, DRAIN HOSE	16	1
24	33-7891	HOSE, 4' INLET	16	1
24	35-0874	HOSE, INLET	16	1
25	33-4264N	STRAINER & WASHER KIT	16	1

\*Color Code (-)=Not Shown #=Series, Serial Prefix or Run No., N=Not Available

Section: TRANSMISSION (SERIES 17)

Model: PAV2300AWW



LW15-43

**Section: TRANSMISSION (SERIES 17)**

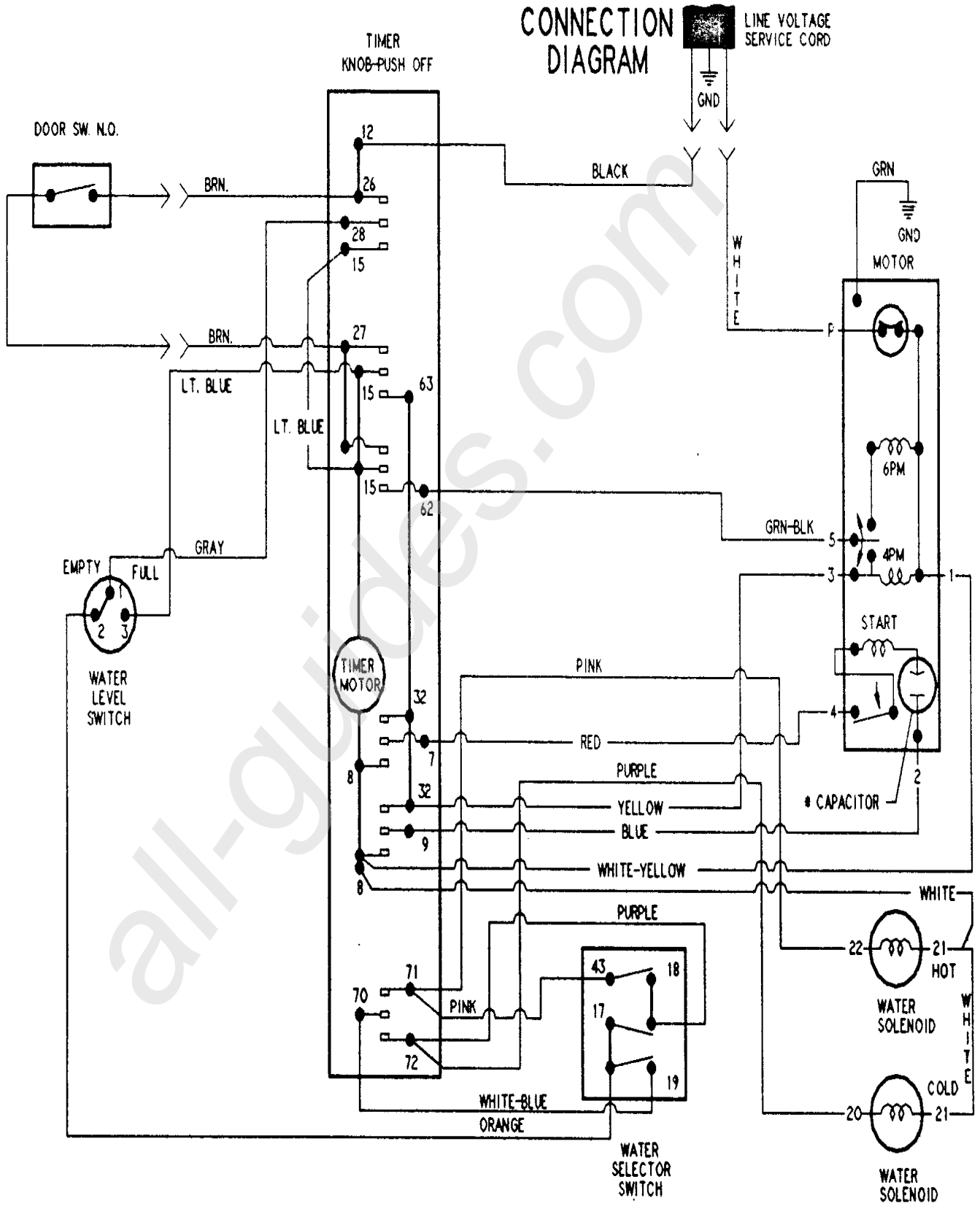
No.	Part No.	Description	Series	Qty
1	25-7941	"O" RING	17	1
2	21001065	SCREW,#10-24X.50 HXNIBHD	17	6
3	12001797	KIT, PULLEY & DUST CAP	17	1
4	LA-2007	CAM REPLACEMENT KIT	17	1
5	21001533	SEAL NUT ASSEMBLY	17	1
6	35-2082	WASHER,1.25ODX.530IDX.062	17	1
6	35-2132	WASHER,1.25ODX.530IDX.032	17	1
7	21001868	SEAL HUB ASSEMBLY (HT TRAN)	17	1
8	25-7854	RING, RETAINING	17	1
9	21001867	HT TRANS/SEAL HUB ASSEMBLY	17	1
10	35-2018	STATOR, BRAKE	17	1
11	21001161	SNUBBER	17	1
-	35-2205	BEARING, SPIN	17	1
12	21001511	HOUSING/LWR.BEARING ASSY.	17	1
13	21001518	SUPPORT, TUB	17	1
14	21001532	BRACE, TUB	17	3
15	21001858	SCREW 5/16-18X1/2	17	6
16	21001163	HOUSING, SUSPENSION	17	1
17	35-2017	RETAINER, BRAKE SPRING	17	1
18	21001647	SPRING, BRAKE	17	1
19	25-7930	SCREW 5/16-18X3/4	17	6
20	21001509	SCREW,HIGH PERFORMANCE PLASTIC	17	3
21	35-2948	BRAKE ROTOR & LINING ASSY	17	1
22	12500036	THRUST BEARING KIT	17	1
23	35-2010	SEAL,TRANSMISSION HOUSING(LIP)	17	1

\*Color Code (-)=Not Shown #=Series, Serial Prefix or Run No., N=Not Available

Section: WIRING INFORMATION (PAV2300AWW SERIES 16

Model: PAV2300AWW

CONNECTION DIAGRAM



15002615

## Section: WIRING INFORMATION (PAV2300AWW SERI

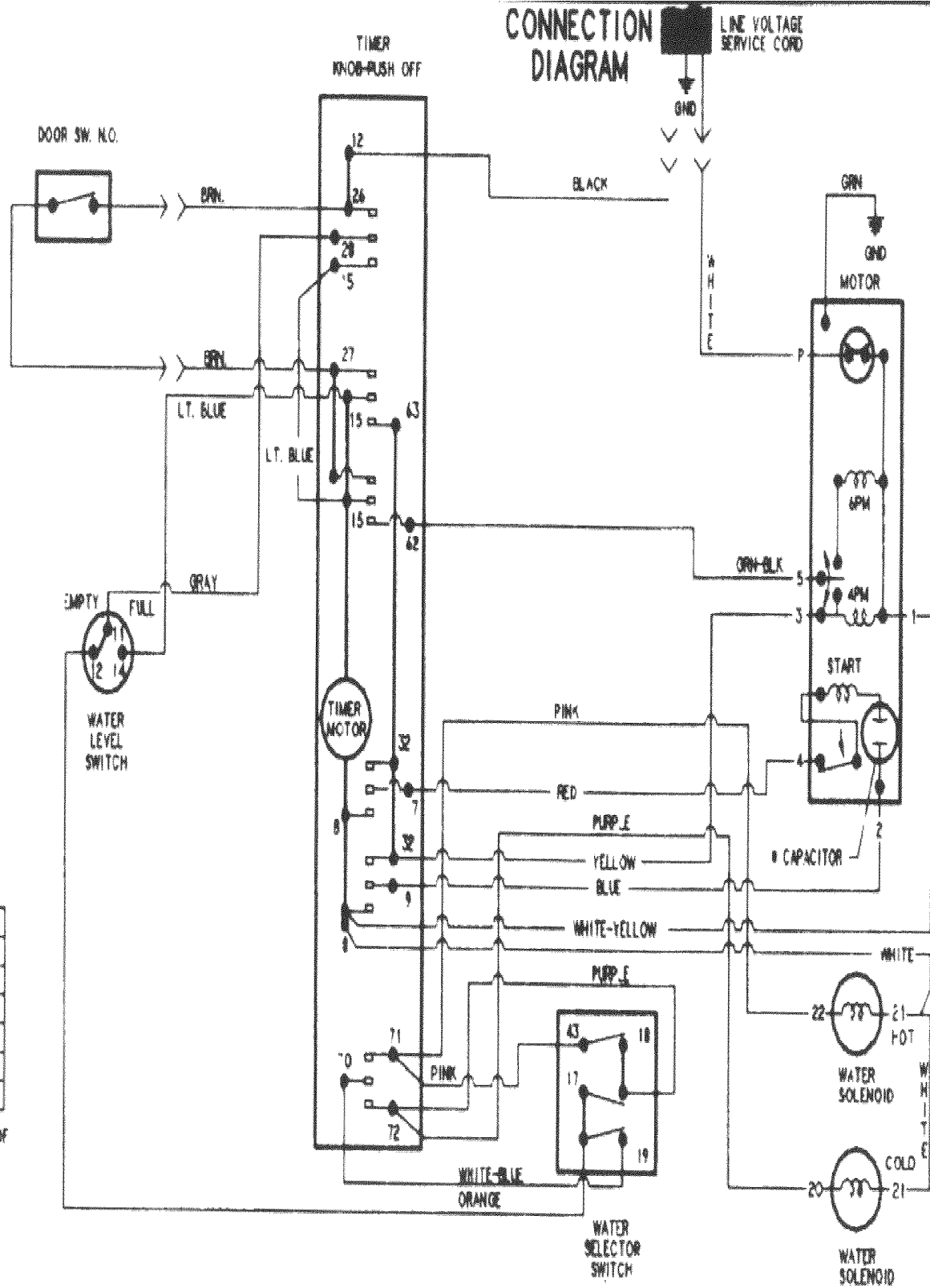
No.	Part No.	Description	Series	Qty
-	N 15002615	WIRING INFORMATION	16	1

\*Color Code (-)=Not Shown #=Series, Serial Prefix or Run No., N=Not Available

Section: WIRING INFORMATION PAV2300AWW SERIES 18

Model: PAV2300AWW

CONNECTION DIAGRAM



WATER SELECTOR SWITCH	
POSITION	CIRCUIT
H-C	17-19
W-W	17-18-19-43
W-C	17-18-19
C-C	17-18

COVERED BY ONE OR MORE OF THE FOLLOWING PATENTS  
 3,057,218 3,588,018  
 3,267,703 3,590,440  
 3,388,568 3,612,095  
 3,390,554 3,782,608  
 3,536,412 3,899,320  
 4,914,781 4,949,923

35-6590 "A"

## Section: WIRING INFORMATION PAV2300AWW SERIE

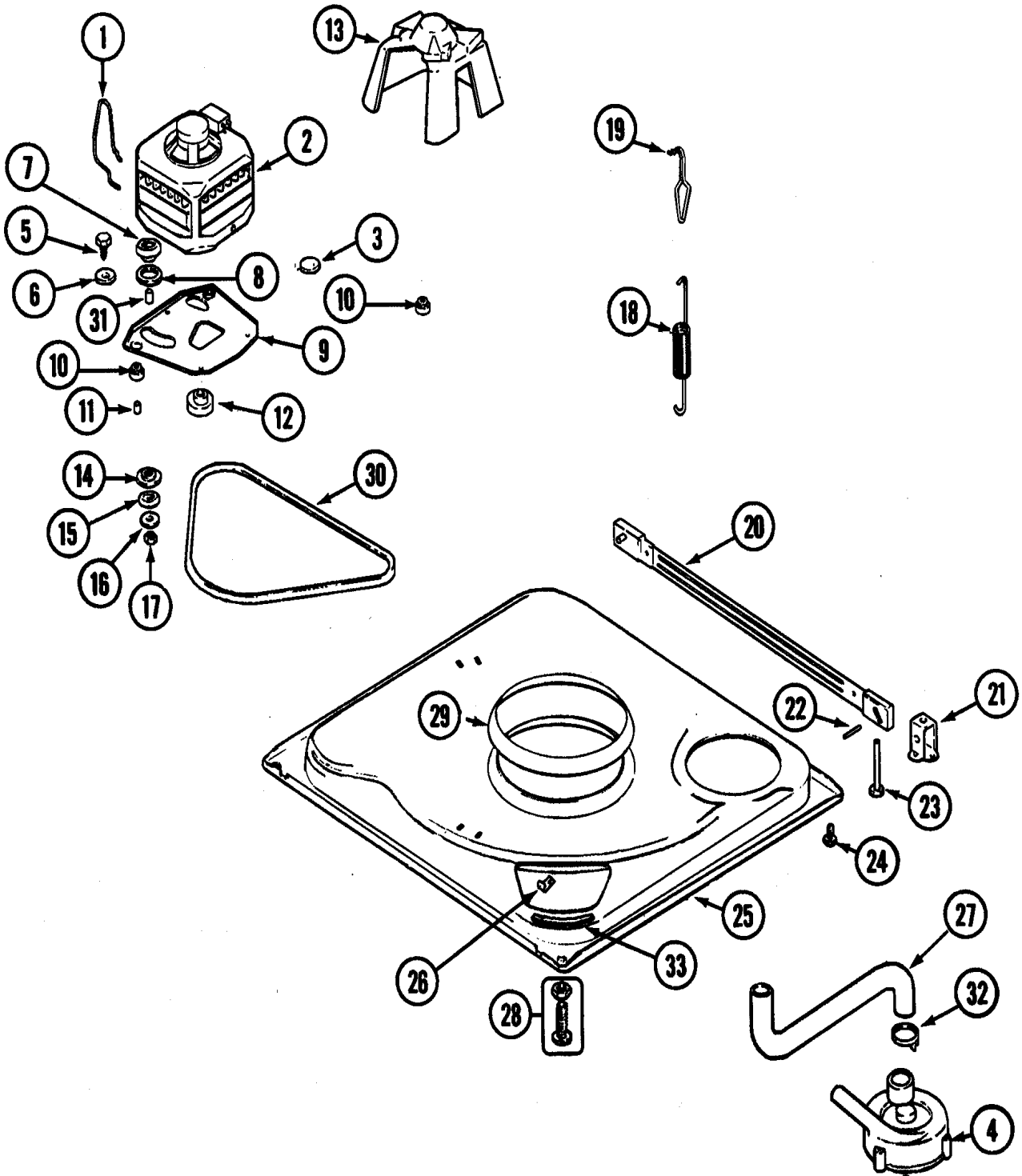
No.	Part No.	Description	Series	Qty
-	N 15003059	WIRING INFORMATION	18	1

\*Color Code (-)=Not Shown #=Series, Serial Prefix or Run No., N=Not Available



Section: BASE (SERIES 19)

Model: PAV2300AWW



LW10-41

**Section: BASE (SERIES 19)**

No.	Part No.	Description	Series	Qty
1	21001110	SPRING, MOTOR PIVOT	19	1
2	21001750	MOTOR (120V 60HZ 2SP)	19	1
3	21001486	SLIDE, FOOT	19	1
4	21001873	PUMP	19	1
5	25-7833	SCREW Note: SCREW	19	2
6	25-7834	WASHER	19	2
7	33-9946	ISOLATOR, MOTOR	19	2
8	35-3570	WASHER, MOTOR PIVOT	19	2
9	21001783	PLATE & SCREW ASSEMBLY	19	1
10	35-3646	ISOLATOR, MOTOR PLATE	19	3
11	25-7831	SPACER Note: SPACER, MOUNTING	19	2
12	21001506	PULLEY, MOTOR-60 HZ	19	1
13	22002721	SHIELD, MOTOR	19	1
14	35-3571	SLIDE, MOTOR PIVOT	19	2
15	33-9967	WASHER, MOTOR ISOLATOR	19	2
16	25-7047	WASHER, FLAT	19	2
17	25-7325	NUT, MOTOR PLATE ASY TO MOTOR	19	2
18	12002102	KIT, SUSPENSION SPRING	19	1
19	21001166	HOOK, SUSPENSION SPRING	19	3
20	21001754	BAR, STABILIZER	19	1
21	35-2046	BRACKET, STABILIZER	19	2
22	35-2052	PIN, STABILIZER	19	2
23	35-3020	FOOT PAD ASSY. (REAR)	19	2
24	25-7828	SCREW, #10 TORQ LIMITING Note: SCREW, BRACKET/BASE	19	6
25	21001893	BASE, WASHER	19	1
26	25-7845	SPEEDNUT Note: SPEEDNUT, MOTOR	19	2
27	21001915	HOSE, TUB TO PUMP	19	1
28	35-3507	FOOT & PAD ASSY	19	2
29	21001161	SNUBBER	19	1
30	21352320	BELT, DRIVE	19	1
31	25-7830	SPACER	19	2
32	25-6068	CLAMP, HOSE Note: CLAMP, TUB	19	2
33	35-2065	PAD, MOTOR PLATE	19	1

\*Color Code (-)=Not Shown #=Series, Serial Prefix or Run No., N=Not Available

