



CE 89/336
73/23

ISSUED: AUG. 10, 1999

REVISED: AUG. 11, 2003

SELF-CONTAINED CRESCENT CUBER
INTEGRALE EISMASCHINE FÜR SICHELFÖRMIGE EISWÜRFEL
FABRICADOR INTEGRADO DE CUBITOS DE HIELO
DISTRIBUTEUR AUTONOME DE CUBELETS EN DEMI-LUNE
CUBETTATRICE AUTONOMA MEZZALUNA
INTEGRALE HALVE-MAANVORMIGE IJSMACHINE

KM-150BAF-E
KM-150BWF-E

INSTALLATION MANUAL BEDIENUNGSANLEITUNG MANUAL DE INSTALACION MANUEL D'INSTALLATION MANUALE D'INSTALLAZIONE INSTALLATIEINSTRUCTIES

FOR QUALIFIED INSTALLER ONLY
NUR FÜR QUALIFIZIERTE INSTALLATEURE
SOLO PARA INSTALADOR CAPACITADO
DESTINE AL'INSTALLATEUR
PER L'USO ESCLUSIVO DA PARTE DI INSTALLATORI
ESPERTI
UITSLUITEND VOOR BEVOEGDE INSTALLATEURS

HOSHIZAKI

ENGLISH

IMPORTANT

1. In order to carry out safe and proper installation of the product, please read this booklet carefully beforehand and follow the instructions contained within.
2. On completion of the installation, start the icemaker to check for any abnormalities, and instruct the user on how to use and maintain the icemaker in accordance with the Instruction Manual.
3. This booklet should be handed over to the user after the installation and be preserved by the user together with the Instruction Manual for any further consultation that may be necessary.

WARNING

The installation must be carried out by qualified personnel, in accordance with current regulations, according to the manufacturer's instructions.

1. UNPACKING

WARNING

Children should not be allowed in reach of the packaging elements (plastic bags and expanded polystyrene) as they are potential sources of danger.

CAUTION

Remove shipping carton, tape(s) and packing. If packing material is left in the icemaker, it will not work properly.

- 1) After removing the packaging, make sure that the icemaker is in good condition. If in doubt, please do not use the equipment but apply to professionally qualified personnel.
- 2) Remove the top and front panels to prevent damage when installing the icemaker. (See "2. HOW TO REMOVE PANELS.")
- 3) Remove the package containing the accessories from inside the Bin.
- 4) Remove the protective plastic film from the panels. If the icemaker is exposed to the sun or to heat, remove the film after the icemaker cools.
- 5) Check that the refrigerant lines do not rub or touch lines or other surfaces, and that the fan blade turns freely.

- 6) Check that the Compressor is snug on all mounting pads.
- 7) See the Nameplate on the Rear Panel, and check that your voltage supplied corresponds with the voltage specified on the Nameplate.
- 8) Remove the shipping tapes securing the Cube Guide.

2. HOW TO REMOVE PANELS - See Fig. 1

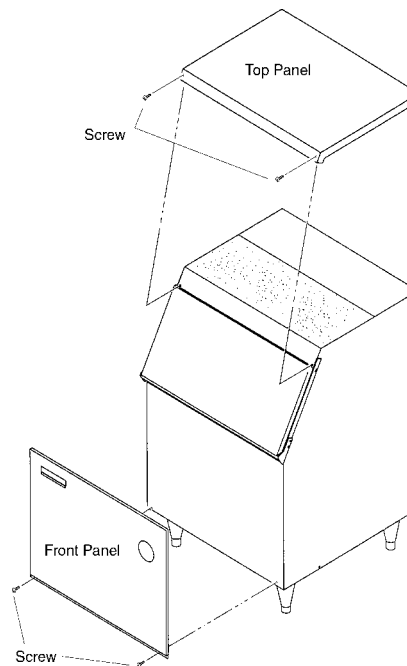


Fig. 1

- a) Top Panel Remove the two screws and lift off.
- b) Front Panel Remove the two screws, lift up and toward you.

3. LOCATION

IMPORTANT

1. This icemaker is not intended for outdoor use. Normal operating ambient temperature should be within +7°C to +40°C. Normal operating water temperature should be within +7°C to +35°C. Operation of the icemaker, for extended periods, outside of these normal temperature ranges may affect production capacity.
2. The icemaker should not be located next to ovens, grills or other high heat producing equipment.

3. The location should provide a firm and level foundation for the equipment.
4. Allow 15 cm. clearance at rear, sides and top for proper air circulation and ease of maintenance and/or service should they be required.
5. This appliance is not suitable for installation in an area where a water jet could be used and where dripping is not allowed.
6. Do not place anything in front of the Louver.
7. This icemaker will not work at subfreezing temperatures. To prevent damage to the water supply line, drain the icemaker when air temperature is below zero.

4. INSTALLATION

- The installation must be carried out by qualified personnel, in accordance with current regulations, according to the manufacturer's instruction.
 - Incorrect installation can cause harm to people, animals the icemaker, or the installation location, for which the manufacturer cannot be held responsible.
- 1) Unpack the icemaker, and attach the four adjustable legs provided (optional) to the bottom of the Storage Bin by lifting the front of the icemaker and then lifting the back of the icemaker (DO NOT TURN THE ICEMAKER UPSIDE-DOWN).
 - 2) Position the icemaker in the selected permanent position.
 - 3) Level the icemaker in both the left-to-right and front-to-rear directions by turning the Bin Leg Adjusters with a wrench.
 - 4) Replace the panels in their correct positions.

5. ELECTRICAL CONNECTION

WARNING

THIS APPLIANCE MUST BE EARTHED

This icemaker requires an earth that meets the national and local electrical code requirements. To prevent possible severe electrical shock to individuals or extensive damage to equipment, install a proper earth wire to the icemaker. Turn off the power supply before any maintenance, repairs or cleaning is undertaken.

- This icemaker must have a separate power supply or receptacle of proper capacity. See the Nameplate. It is recommended that this icemaker be the only electrical device on its power supply circuit.
- Usually an electrical permit and services of a licensed electrician are required.
- Factory fitted power cords are coloured in accordance with the following code:
 - Green & Yellow = Earth
 - Blue = Neutral
 - Brown = Live
- Should the socket outlets in the installation site not be suitable for the plug supplied with your product, the plug must be removed (cut off if it is a moulded on plug) and an appropriate plug fitted.

As the colours of the wires in the power cord of this appliance may not correspond with the coloured markings identifying the terminals in your plug, proceed as follows:

The wire which is coloured Green-and-Yellow must be connected to the terminal in the plug which is marked with the letter E or by the symbol \perp or coloured Green or Green-and-Yellow. The wire which is coloured Blue must be connected to the terminal which is marked with the letter "N" or coloured Black. The wire which is coloured Brown must be connected to the terminal which is marked with the letter L or coloured Red.

If the non-rewirable plug has been cut from the power supply cord, it must be disposed of. There should be no attempt to reuse it. Inserting such a plug into a socket elsewhere presents a serious risk of electrical shock.

For the U.K. and the Republic of Ireland only

- The non-rewirable plug must never be used without a fuse cover being fitted.
- The correct replacement for the detachable fuse cover is identifiable from the manufacturer's reference number stamped on the plug.
- Supply of replacement fuse covers can be obtained from Hoshizaki Parts/Service Centres.
- Fuses should be rated at 13A and approved to BS 1362.

ENGLISH

6. WATER SUPPLY AND DRAIN CONNECTIONS - See Fig. 2

WARNING

To prevent damage to the pump assembly, do not operate the icemaker when the water supply is OFF, or if the pressure is below .7 bar. Do not run the icemaker until the proper water pressure is reached.

- Only potable water should be used for the icemaker supply.
- Connection to the water services should be done by a professionally qualified person.
- Water supply inlet is a 1/2" FPT.

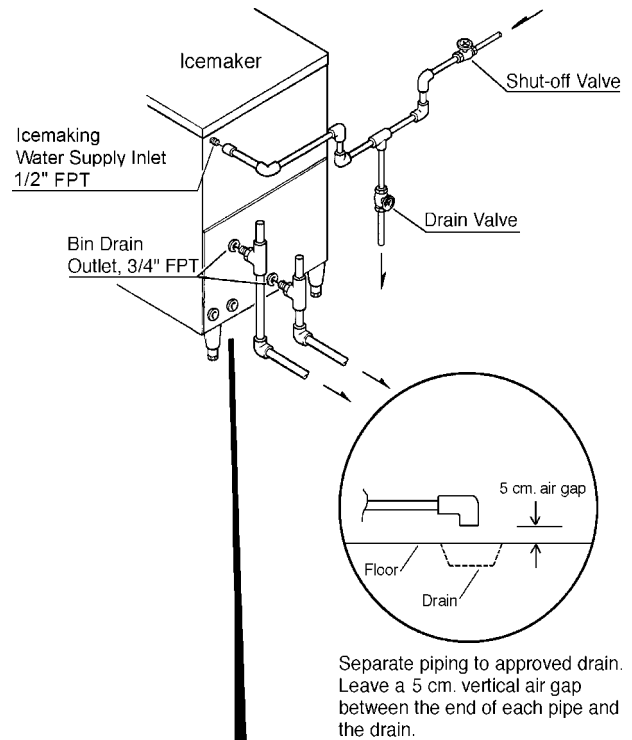
Note: On water-cooled models, two water supply inlets are provided. One is for the icemaker, and the other is for the water-cooled condenser. Connecting potable water to the Condenser will not affect performance but may result in high use/waste.

- A water supply line shut-off valve and drain valve should be installed. A ball valve is recommended for the shut-off valve. A type of valve other than a ball valve should not have a minimum opening smaller than the water supply line ID as this can cause a reduced water flow rate which can lead to poor defrost performance and/or freeze up. A minimum of 13 mm. OD copper tubing is recommended for the water supply lines.
 - Water supply pressure should be a minimum of .7 bar and a maximum of 8 bar. If the pressure exceeds 8 bar, the use of a pressure reducing valve is required. Do NOT throttle back the supply tap.
 - The drain outlets for the icemaker sump and storage bin are 3/4" FPT. The icemaker drain and the condenser drain piping connections must be made separately from the bin drain. The sump drain should be vented to insure an adequate flow rate during the harvest cycle. (See Fig. 2).
 - Do NOT use solder type fittings as the application of heat to the icemaker/bin may result in damage to the internal connections.
- Note: On water-cooled models, a 1/2" FPT is provided for the condenser drain outlet.
- The drains must have 2 cm. fall per 30 cm. on horizontal runs to get a good flow.
 - The drains should not be piped directly to the sewer system. An air gap of a minimum of 5 vertical cm.

should be between the end of the drain pipe from the icemaker or the ice bin and the floor drain. (See Fig. 2).

- This icemaker should be installed in accordance with applicable national, provincial and local regulations.
- In some areas, a back flow preventer may be required in the cooling water circuit.

KM-150BAF-E



KM-150BWF-E

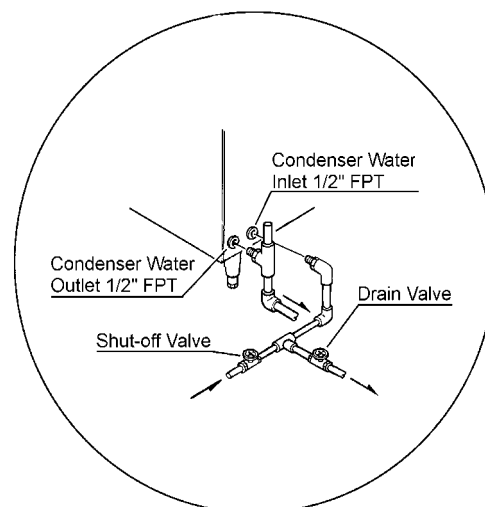


Fig. 2

7. START-UP

WARNING

1. This icemaker is designed to produce edible ice. To keep the icemaker sanitary:

- Wash your hands before removing ice.
- Use the Plastic Scoop provided (accessory).
- Keep the Scoop clean. Clean it by using a neutral cleaner and rinsing thoroughly.
- The Storage Bin is for ice use only. Do not store anything else in the Bin.
- Close the Door after removing ice to prevent entrance of dirt, dust or insects into the Storage Bin.

2. The use of any electrical equipment involves the observance of some fundamental rules. In particular:

- Instances of high humidity and moisture increase the risk of electrical short circuits and potential electrical shocks. If in doubt, disconnect the icemaker.
- Do not use the icemaker when you have bare feet.
- Do not pull the electricity supply wire in order to disconnect the icemaker from the feed network.
- This appliance is not suitable for unsupervised use by young children or aged or infirm persons.

3. All parts are factory-adjusted. Improper adjustments may result in failure.

4. If the unit is turned off, wait for at least 3 minutes before restarting the icemaker to prevent damage to the Compressor.

5. Do not operate the unit in the "WASH" position without water in the Water Tank. This will cause damage to the Water Pump seal.

- 1) Open the Water Supply Line Shut-off Valve.
- 2) Remove the Front Panel.
- 3) Move the Control Switch, on the Control Box, to the "ICE" position.
- 4) Replace the Front Panel in its correct position.
- 5) Turn on the power supply and allow the Water Tank to fill with water and the icemaker to operate for a total of 10 minutes. (See 8 for Sequence of Operation).

6) Turn off the power supply, and open the Bin Door.

7) Remove the Cube Guide and the Overflow Pipe to drain the Water Tank (See Fig. 2).

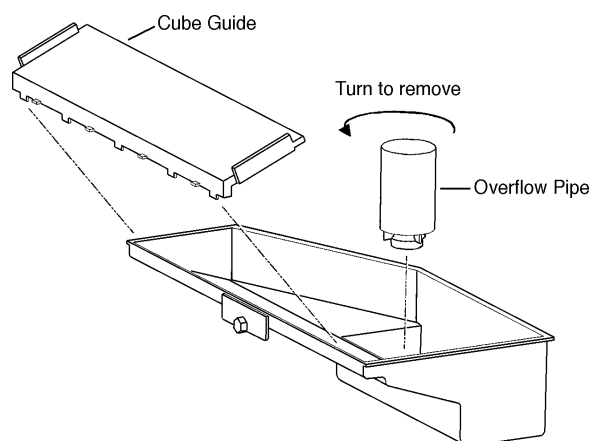


Fig. 3

8) Replace the Overflow Pipe and the Cube Guide in their correct positions.

9) Clean the Storage Bin.

10) Shut the Bin Door.

11) Turn on the power supply, and start the automatic icemaking process.

12) Wait until a complete icemaking and defrost cycle is completed.

BINCONTROLCHECK

- 1) Open the Bin Door.
- 2) Hold some ice against the Bin Control Bulb. The icemaker should stop within 6 to 10 seconds.
- 3) Close the Bin Door.
- 4) Check that the icemaker re-starts.

ENGLISH

8. OPERATION

The steps in the start-up/operation sequence are as follows:

1) 1 Minute Fill Cycle

The unit always starts in the 1 minute fill cycle. When power is applied to the unit, the water valve is energized and the fill period begins. After 1 minute the board checks for a closed float switch. If the float switch is closed the harvest cycle begins. If not, the unit will not start without adequate water in the sump. This serves as a low water safety shut off. The water valve will remain energized through additional 1 minute cycles until sufficient water enters the sump and the float switch closes.

2) 1st Harvest Cycle

The compressor starts, hot gas valve opens, water valve remains open and harvest begins. As the evaporator warms, the thermistor located on the suction line checks for a 9°C temperature. When 9°C is reached, the harvest is turned over to the adjustable control board defrost timer which is factory set for normal conditions. This adjustment can vary the defrost timer from 1 to 3 minutes.

3) Freeze Cycle

After the timer terminates the harvest cycle, the hot gas and water valves close, and the ice production cycle starts. For the first 5 minutes the controller board will not accept a signal from the float switch. This 5 minute minimum freeze acts as a short cycle protection. At the end of 5 minutes the float switch assumes control. As ice builds on the evaporator the water level in the sump lowers. The freeze continues until the float switch opens and terminates ice production.

4) Normal Harvest Cycle

The water valve opens to allow water to assist the harvest. As the evaporator warms, the thermistor reaches 9°C. The control board receives the thermistor signal and starts the defrost timer. The water valve is open during harvest (defrost) for a maximum of 6 minutes or the length of harvest, whichever is shorter. When the defrost timer completes its countdown, the defrost cycle is complete and the next freeze cycle starts.

The unit continues through 3), 4) and 5) sequence until the bin control senses ice and shuts the unit down.

Note: If the icemaker does not start or complete a cycle of operation, contact your nearest Hoshizaki Distributor for guidance.

9. FINAL CHECK LIST

- 1) Is the icemaker level?
 - 2) Is the icemaker in a site where the ambient temperature is within +7°C to +40°C all year around?
 - 3) Is there at least a 15 cm. clearance around the icemaker for maintenance or service?
 - 4) Have all shipping tape(s), packing and cartons been removed from the icemaker? Are the cube guides in their correct position?
 - 5) Have all electrical and piping connections been made?
 - 6) Has the power supply voltage been checked or tested against the nameplate rating?
 - 7) Are the Water Supply Line Shut-off Valve and Drain Valve installed? Has the water supply pressure been checked to ensure a minimum of .7 bar and a maximum of 8 bar?
- Note: The icemaker may stop running when the water supply is OFF, or if the pressure is below .7 bar. When the proper water pressure is reached, the icemaker automatically starts running again.
- 8) Have the compressor hold-down bolts and refrigerant lines been checked against vibration and possible failure?
 - 9) Has the Bin Control Switch been checked for correct operation?
 - 10) Has the end user been given the instruction manual, and instructed on how to operate the icemaker and the importance of the recommended periodic maintenance?
 - 11) Has the end user been given the name and telephone number of an authorized service agent?

ACHTUNG

1. Damit das Gerät sicher und korrekt installiert wird, ist zuerst dieses Handbuch sorgfältig durchzulesen, und die darin enthaltenen Anweisungen sind zu befolgen.
2. Im Anschluß an die Installation ist die Eismaschine einzuschalten, um sie auf Unregelmäßigkeiten beim Betrieb zu überprüfen, und der Benutzer ist darin zu unterweisen, wie die Eismaschine entsprechend der Bedienungsanleitung zu benutzen und instandzuhalten ist.
3. Dieses Handbuch ist dem Benutzer nach der Installation zu übergeben und ist vom Benutzer zusammen mit der Bedienungsanleitung aufzubewahren, damit beides bei Bedarf zu Rate gezogen werden kann.

WARNUNG

Die Installation ist von qualifiziertem Personal entsprechend den aktuellen Bestimmungen und den Anweisungen des Herstellers auszuführen.

1. AUSPACKEN**WARNUNG**

Kindern sollten keinen Zugang zum Verpackungsmaterial (Kunststoffbeutel und Polystyrol) haben, da dieses eine mögliche Gefahrenquelle darstellt.

VORSICHT

Versandkarton, Band und anderes Verpackungsmaterial abnehmen. Wenn Verpackungsmaterial im Eisdispenser gelassen wird, arbeitet dieser nicht richtig.

- 1) Nach Entfernung des Verpackungsmaterials sollten Sie überprüfen, daß die Eismaschine in gutem Zustand ist. Im Zweifelsfall sollten Sie das Gerät nicht in Gebrauch nehmen, sondern sich an qualifizierte Fachkräfte wenden. Die Hinweise für das Auspacken und die Installation finden sich im Anleitungsblatt, das dem Vorratsbehälter beiliegt.
- 2) Die Platten abnehmen, um eine Beschädigung während der Installation der Eismaschine zu verhindern. (Siehe "2. ABNAHME DER PLATTEN".)
- 3) Das Paket, welches das Zubehör enthält, aus dem Behälterinneren herausnehmen.
- 4) Die Kunststoffschutzfolie von der Maschine abziehen. Wenn die Eismaschine Sonne oder

Wärme ausgesetzt ist, ist die Folie erst abzuziehen, nachdem die Eismaschine abgekühlt ist.

- 5) Überprüfen Sie, daß die Kühlmittelleitungen nicht gegen andere Leitungen oder Oberflächen reiben oder diese berühren und daß sich der Gebläseflügel frei drehen kann.
- 6) Überprüfen Sie, daß der Kompressor fest auf den Unterlagen sitzt.
- 7) Auf dem Typenschild auf der Rückseite überprüfen, ob Ihre Netzspannung der Spannung entspricht, die auf dem Typenschild angegeben ist.
- 8) Das Band abnehmen, mit dem die Würfelührung für den Versand gesichert wird.

2. ABNAHME DER PLATTEN

- Siehe Abbildung 1

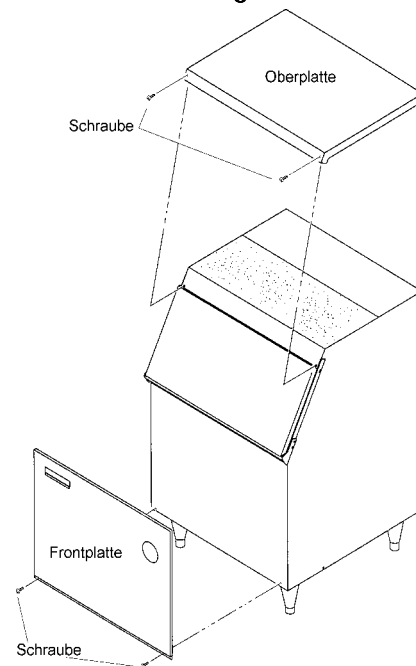


Abb. 1

- a) Oberplatte Die beiden Schrauben entfernen und abheben.
- b) Frontplatte Die beiden Schrauben entfernen, zu sich hin hochheben.

3. STANDORT**ACHTUNG**

1. Diese Eismaschine ist nicht für den Einsatz im Freien gedacht. Die normale Umgebungstemperatur bei Betrieb sollte

DEUTSCH

zwischen +7°C und +40°C liegen. Die normale Wassertemperatur bei Betrieb sollte zwischen +7°C und +35°C liegen. Wenn die Eismaschine für längere Zeit außerhalb dieses normalen Temperaturbereichs betrieben wird, kann die Produktionskapazität beeinträchtigt werden.

2. Die Eismaschine sollte nicht neben Öfen, Grills oder anderen Geräten aufgestellt werden, die hohe Temperaturen erzeugen.
3. Der Standort sollte einen festen und ebenen Untergrund für das Gerät bieten.
4. An Rückseite, Seiten und über der Oberseite sollte ein Freiraum von 15 cm vorhanden sein, damit die Luft gut zirkulieren kann und, falls notwendig, Zugang für Instandhaltung und/oder Wartung gegeben ist.
5. Dieses Gerät eignet sich nicht für die Installation in Bereichen, in denen Strahlwasser verwendet werden könnte oder in denen Tropfwasser nicht zulässig ist.
6. Nichts vor die Lüftungsschlitze stellen.
7. Diese Eismaschine arbeitet nicht bei Temperaturen unter dem Gefrierpunkt. Um eine Beschädigung der Wasserleitung zu verhindern, ist die Eismaschine zu entleeren, wenn die Lufttemperatur unter Null Grad fällt.

4. INSTALLATION

- Die Installation ist von qualifiziertem Personal entsprechend den aktuellen Bestimmungen und den Anweisungen des Herstellers auszuführen.
 - Falsche Installation kann zu Verletzungen von Mensch und Tier, einer Beschädigung der Eismaschine oder anderen Sachschäden führen, für die der Hersteller keine Haftung übernehmen kann.
- 1) Den Eismacher auspacken, und die vier mitgelieferten, verstellbaren Schenkel (optional) unten am Speicherbehälter anbringen, indem die Vorderseite des Eismachers und anschließend die Rückseite des Eismachers angehoben wird (DEN EISMACHER NICHT AUF DEN KOPF STELLEN).
 - 2) Den Eismacher in der gewählten permanenten Stellung positionieren.

- 3) Den Eismacher sowohl von links nach rechts als auch von vorne nach hinten nivellieren, indem die Speicherschlenkel-Stellvorrichtungen mit einem Schraubenschlüssel gedreht werden.
- 4) Die Platten wieder in der richtigen Position anbringen.

5. STROMANSCHLUSS

WARNUNG

DIESES GERÄT MUSS GEERDET WERDEN

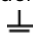
Dieser Eisdispenser muß entsprechend den Elektroinstallationsvorschriften von Bund, Ländern und Gemeinden geerdet sein. Um einen starken Stromschlag oder beträchtlichen Sachschaden zu verhindern, ist der Cubeleiteisdispenser mit einem korrekten Erdungsleiter zu installieren. Den Netzstecker aus der Steckdose ziehen, ehe Wartungs-, Reparatur- oder Reinigungsarbeiten ausgeführt werden.

- Diese Eismaschine muß an ein separates Netzteil oder einen Stromanschluß mit der richtigen Bemessung angeschlossen werden. Vgl. Typenschild. Diese Eismaschine sollte als einziges Gerät an den Stromkreis angeschlossen sein.
- Normalerweise sind für die Ausführung der Arbeiten eine elektrische Genehmigung und ein fachkundiger, qualifizierter Elektriker notwendig.
- Die werkseitig angeschlossenen Stromkabel entsprechen dem folgenden Farbcode:

Grün/Gelb = Erde
Blau = Mittelleiter
Braun = Phase

- Wenn sich die Steckdosen auf Aufstellungsort nicht für den Stecker eignen, der mit dem Gerät mitgeliefert wird, muß der Stecker abgenommen werden (oder abgeschnitten, wenn es sich um einen gekapselten Stecker handelt) und ein geeigneter Stecker angeschlossen werden.

Da sich die Farben der Leiter im Netzkabel dieses Geräts von den Farbmarkierungen an den Anschlüssen in Ihrem Stecker unterscheiden können, ist wie folgt vorzugehen:

Der grün/gelbe Leiter muß an den Anschluß im Stecker angeschlossen werden, der mit dem Buchstaben E oder dem Symbol  oder Grün/

Gelb markiert ist. Der blaue Leiter muß an den Anschluß angeschlossen werden, der mit dem Buchstaben N oder Schwarz markiert ist. Der braune Leiter muß an den Anschluß angeschlossen werden, der mit dem Buchstaben L oder Rot markiert ist.

Ein nicht wiederverwendbarer Stecker, der vom Stromkabel abgeschnitten worden ist, ist wegzuworfen. Es darf nicht versucht werden, ihn wiederzuverwenden. Wenn ein derartiger Stecker andernorts an eine Steckdose angeschlossen wird, besteht die Gefahr eines Stromschlags.

6. WASSER- UND ABWASSER-ANSCHLÜSSE - Vgl. Abb. 2

WARNUNG

Damit die Pumpe nicht beschädigt wird, darf die Eismaschine nicht betrieben werden, wenn das Wasser ABGESTELLT ist oder wenn der Druck unter 0,7 bar abfällt. Die Eismaschine erst wieder einschalten, wenn der korrekte Wasserdruck vorhanden ist.

- Für diese Eismaschine darf nur Trinkwasser verwendet werden.
- Die Maschine ist nur von einer qualifizierten Person an das Wasser anzuschließen.
- Wasserversorgungszulauf ist eine 1/2" FPT.

Anmerkung: Bei wassergekühlten Modellen sind zwei Wasseranschlüsse vorhanden. Einer ist für die Eismaschine und der andere für den wassergekühlten Kondensator. Wenn der Kondensator mit Trinkwasser betrieben wird, hat dies keinen Einfluß auf die Leistung, aber kann zu einem hohen Verbrauch/ Verschwendung führen.

- In der Wasserleitung sollten ein Absperr- und ein Abblößventil installiert werden. Für das Absperrventil wird ein Kugelhahn empfohlen. Wenn ein anderes Ventil als ein Kugelhahn verwendet wird, sollte dessen Mindestöffnung nicht kleiner als der Innendurchmesser der Wasserleitung sein, da dies sonst zu einem verringerten Durchfluß führen kann, was wiederum zu einer schlechten Entfrostonung und/oder Zufrieren führen kann. Für die Wasserleitung wird eine Kupferleitung mit einem Außendurchmesser von mindestens 13 mm

empfohlen.

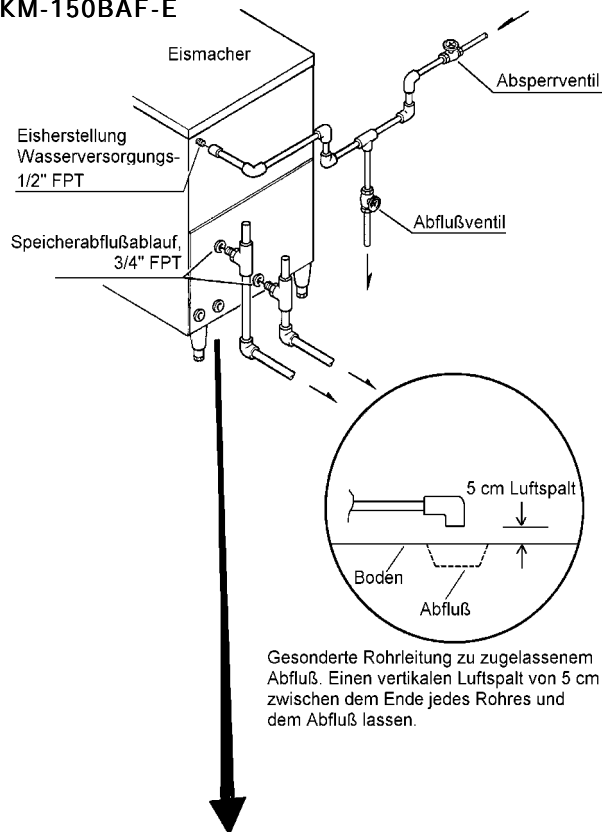
- Der Wasserdruck sollte mindestens 0,7 bar und maximal 8 bar betragen. Wenn der Druck 8 bar überschreitet, ist ein Druckreduzierventil zu verwenden. Den Druck NICHT durch Zudrehen des Anschlußhahns verringern.
- Der Abflußanschluß für die Eismaschine und den Vorratsbehälter hat ein Rohringengewinde $\frac{3}{4}$ ". Der Kondensatablauf ist eine Leitung mit 10 mm Innendurchmesser. Der Abfluß der Eismaschine und der Kondensatorabflußanschluß müssen separat vom Behälterablauf angeschlossen werden. Der Wasserbehälterablauf ist zu entlüften, damit während des Ausgabezyklus ein ausreichender Durchfluß erreicht wird. (Vgl. Abb. 2).
- KEINE Lötverbindungen verwenden, da die internen Anschlüsse von Eismaschine/Behälter durch Wärme beschädigt werden können.

Anmerkung: Bei wassergekühlten Modellen ist ein Kondensatorablauf von $\frac{3}{4}$ " Rohringengewinde vorhanden.

- Die Abflüsse müssen ein Gefälle von 2 cm pro 30 cm Länge aufweisen, damit ein guter Durchfluß erzielt wird.
- Die Abflüsse sind nicht direkt an das Abwassersystem anzuschließen. Zwischen dem Ende der Abflußleitung der Eismaschine oder des Eisbehälters und dem Bodenablauf sollte ein vertikaler Mindestabstand von 5 cm vorhanden sein. (Vgl. Abb. 2).
- Die Eismaschine ist entsprechend den geltenden Vorschriften von Bund, Ländern und Gemeinden zu installieren.
- In einigen Gebieten kann ein Rückflußverhinderer im Kühlwasserkreislauf erforderlich sein.

DEUTSCH

KM-150BAF-E



KM-150BWF-E

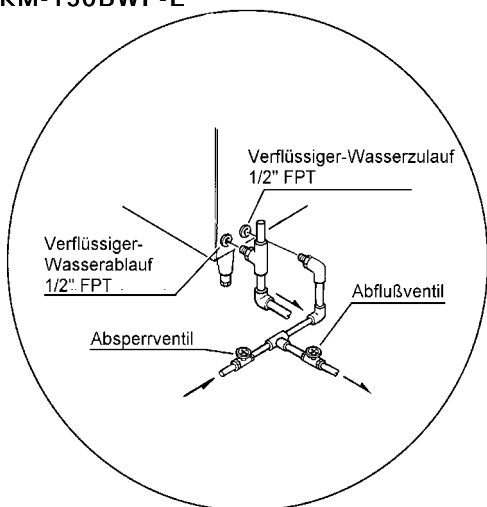


Abb. 2

7. EINSCHALTEN

WARNUNG

1. Diese Eismaschine ist für die Herstellung von eßbarem Eis konstruiert. Die Eismaschine ist wie folgt in einem hygienisch einwandfreien Zustand zu halten.
 - Die Hände waschen, ehe Eis herausgenommen wird.
 - Die mitgelieferte Kunststoffschaufel (Zubehör) verwenden.
 - Der Vorratsbehälter ist nur für das Eis zu verwenden. Im Vorratsbehälter darf nichts anderes als Eis aufbewahrt werden.
 - Die Schaufel sauber halten. Sie ist mit einem neutralen Reinigungsmittel zu waschen und gründlich abzuspülen.
 - Die Tür nach der Entnahme von Eis wieder schließen, damit kein Schmutz, Staub oder Insekten in den Vorratsbehälter gelangen können.
2. Bei der Verwendung von elektrischen Geräten sind einige grundlegende Regeln zu beachten. Und zwar insbesondere:
 - Bei hoher Luftfeuchtigkeit und Nässe erhöht sich das Risiko eines Kurzschlusses und die Möglichkeit von Stromschlägen. Die Eismaschine im Zweifelsfall vom Netz trennen.
 - Die Eismaschine nicht verwenden, wenn Sie barfuß sind.
 - Nicht am Stromkabel ziehen, um die Eismaschine vom Netz zu trennen.
 - Dieses Gerät eignet sich nicht für die Verwendung durch unbeaufsichtigte kleine Kinder oder alte oder gebrechliche Personen.
3. Alle Teile werden werkseitig eingestellt. Eine falsche Einstellung kann zum Versagen des Geräts führen.
4. Wenn das Gerät ausgeschaltet wird, warten Sie mindestens 3 Minuten, ehe die Eismaschine wieder eingeschaltet wird, um eine Beschädigung des Kompressors zu vermeiden.
5. Das Gerät nicht in Stellung "WASCHEN" betreiben, wenn kein Wasser im Wassertank vorhanden ist. Sonst wird die Dichtung der Wasserpumpe beschädigt.

- 1) Das Absperrventil in der Wasserleitung öffnen,
- 2) Die Vorderplatte abnehmen.
- 3) Den Regelschalter im Schaltkasten auf Stellung "EIS" stellen.
- 4) Die Vorderplatte wieder korrekt einsetzen.
- 5) Den Strom einschalten und warten, bis sich der Wassertank mit Wasser gefüllt hat und die Eismaschine insgesamt 10 Minuten gearbeitet hat. (Siehe Abschnitt 8) zum Arbeitszyklus.)
- 6) Strom ausschalten und Vorderplatte und Bodenplatte abnehmen.
- 7) Die Würfelührung und das Überlaufrohr zum Leeren des Wassertanks entfernen (siehe Abb. 2).

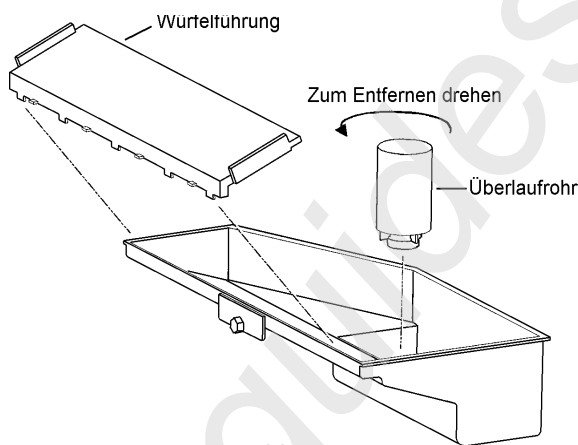


Abb. 3

- 8) Das Überlaufrohr und die Würfelührung wieder an korrekter Stelle anbringen.
- 9) Den Speicherbehälter reinigen.
- 10) Die Behältertür schließen.
- 11) Die Stromversorgung einschalten und den automatischen Eisherstellungsprozeß beginnen.
- 12) Warten, bis ein kompletter Eisherstellungs- und Auftauzyklus abgeschlossen ist.

BEHÄLTERKONTROLLPRÜFUNG

- 1) Die Behältertür öffnen.
- 2) Etwas Eis gegen die Behälterkontrolllampe halten. Der Eismacher sollte binnen 6 bis 10 Sekunden anhalten.

- 3) Die Behältertür schließen.
- 4) Prüfen, daß der Eismacher wieder anläuft.

8. BETRIEB

Die Schritte für Einschalten/Betrieb sind wie folgt:

1) Füllzyklus von 1 Minute

Das Gerät beginnt immer mit dem 1-minütigen Füllzyklus. Wenn der Strom zum Gerät eingeschaltet wird, wird das Wasserventil eingeschaltet und das Füllen beginnt. Nach 1 Minute überprüft die Schaltung, ob der Schwimmerschalter geschlossen ist. Wenn der Schwimmerschalter geschlossen ist, beginnt der Ausgabezyklus. Wenn er nicht geschlossen ist, startet das Gerät nicht, da nicht genügend Wasser im Wasserbehälter ist. Dies stellt die Sicherheitsabschaltung bei niedrigem Wasserstand dar. Das Wasserventil bleibt für weitere 1-Minuten-Zyklen eingeschaltet, bis genügend Wasser im Wasserbehälter ist und sich der Schwimmerschalter schließt.

2) 1. Ausgabezyklus

Der Kompressor wird eingeschaltet, das Heißgasventil öffnet sich, das Wasserventil bleibt geöffnet und die Ausgabe beginnt. Der Verdampfer erwärmt sich, und der Thermistor an der Ansaugleitung prüft, ob die Temperatur 9°C ist. Wenn 9°C erreicht wird, wird die Ausgabe an den einstellbaren Abtauzeitschalter übergeben, der werkseitig für normale Arbeitsbedingungen eingestellt ist. Der Abtauzeitschalter kann zwischen 1 und 3 Minuten eingestellt werden.

3) Gefrierzyklus

Nachdem der Zeitschalter den Ausgabezyklus beendet hat, schließen sich die Heißgas- und Wasserventile und der Eisherstellungszyklus beginnt. Während der ersten 5 Minuten akzeptiert die Regelung kein Signal vom Schwimmerschalter. Diese Mindestgefrierzeit von 5 Minuten stellt den Schutz gegen einen zu kurzen Zyklus dar. Nach 5 Minuten übernimmt der Schwimmerschalter die Regelung. Während sich am Verdampfer Eis ablagert, sinkt der Wasserspiegel im Wasserbehälter. Der Gefriervorgang läuft weiter, bis sich der Schwimmerschalter öffnet und die Eisherstellung beendet.

DEUTSCH

4) Normaler Ausgabezyklus

Das Wasserventil öffnet sich, damit das Wasser die Ausgabe unterstützen kann. Der Verdampfer erwärmt sich, und der Thermistor erreicht 9°C. Die Regelung erhält das Thermistorsignal und startet den Abtauzeitschalter. Das Wasserventil ist während der Ausgabe (Abtauen) maximal 6 Minuten lang oder für die Dauer der Ausgabe geöffnet, je nachdem, was kürzer ist. Wenn der Abtauzeitschalter abgelaufen ist, ist der Abtauzyklus beendet und der nächste Gefrierzyklus beginnt.

Das Gerät durchläuft Schritte 3), 4) und 5), bis der Behälterfüllstandsfühler Eis feststellt und das Gerät abschaltet.

Anmerkung: Wenn die Eismaschine sich nicht einschaltet oder nicht den vollständigen Arbeitszyklus durchläuft, wenden Sie sich bitte an Ihren Hoshizaki-Händler.

Anmerkung: Die Eismaschine kann den Betrieb einstellen, wenn das Wasser ABGESTELLT wird oder wenn der Druck unter 0,7 bar fällt. Wenn der korrekte Wasserdruck wiederhergestellt wird, nimmt die Eismaschine den Betrieb automatisch wieder auf.

- 8) Sind die Befestigungsschrauben des Kompressors und die Kühlmittleitungen auf Schwingungen und mögliches Versagen hin überprüft worden?
- 9) Ist der korrekte Betrieb des Behälterfüllstandsschalters überprüft worden?
- 10) Ist dem Endbenutzer die Bedienungsanleitung übergeben worden, und ist er darin unterwiesen worden, wie die Eismaschine zu bedienen ist. Ist er über die Wichtigkeit der empfohlenen regelmäßigen Instandhaltungsarbeiten informiert worden?
- 11) Ist dem Endbenutzer Name und Telefonnummer einer autorisierten Kundendienstfirma übergeben worden?

9.CHECKLISTE FÜR DIE ENDÜBERPRÜFUNG

- 1) Steht die Eismaschine horizontal?
- 2) Steht die Eismaschine an einer Stelle, an der die Umgebungstemperatur das ganze Jahr über zwischen +7°C und +40°C liegt?
- 3) Ist um die Eismaschine herum ein Freiraum von mindestens 15 cm für Wartung oder Instandhaltung vorhanden?
- 4) Sind alle Versandbänder, Verpackungsmaterial und Kartons von der Eismaschine abgenommen worden? Befinden sich die Würfelführungen an der richtigen Stelle?
- 5) Sind alle elektrischen und anderen Leitungen angeschlossen worden?
- 6) Ist überprüft worden, daß die Netzspannung den Angaben auf dem Typenschild entspricht?
- 7) Sind Absperrventil und Ablaßventil in der Wasserleitung installiert worden? Ist der Wasserdruck überprüft worden und liegt er zwischen 0,7 bar und maximal 8 bar?

IMPORTANT

1. Pour effectuer l'installation du produit comme il convient, et en toute sécurité, veuillez lire attentivement la présente notice et suivre les instructions qu'elle contient.
2. Après installation, mettre le distributeur en marche pour dépister tout défaut de fonctionnement éventuel, et indiquer à l'utilisateur la façon de se servir et d'entretenir son appareil conformément à la notice d'instructions.
3. La présente notice doit être remise à l'utilisateur après installation et celui-ci la conservera avec la notice d'instructions pour toute consultation ultérieure éventuelle.

AVERTISSEMENT

L'installation doit être effectuée par du personnel qualifié, en respectant les réglementations en vigueur et en suivant les consignes du fabricant.

1. DEBALLAGE**AVERTISSEMENT**

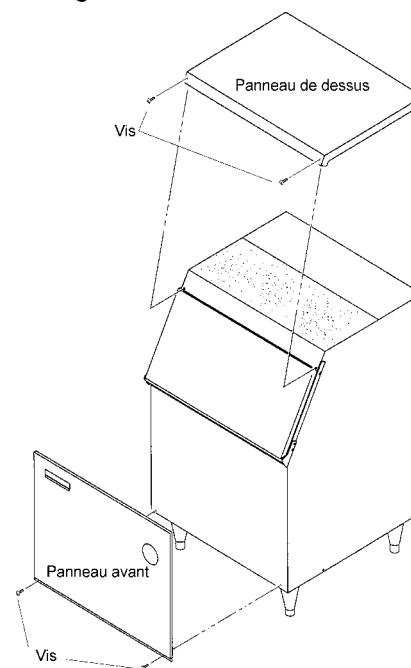
Les enfants doivent être tenus à l'écart de tous les éléments d'emballage (sacs en plastique et polystyrène expansé) car ils sont potentiellement dangereux.

ATTENTION

Enlevez le carton d'emballage, le(s) ruban(s) et les matériaux d'emballage. S'il reste des matériaux d'emballage dans le distributeur, enlevez-les pour ne pas entraver son fonctionnement.

- 1) Après avoir déposé l'emballage, assurez-vous que l'appareil soit en bon état. En cas de doute, ne pas utiliser l'équipement mais s'adresser directement au personnel professionnellement qualifié. Voir la fiche d'instructions fixée au bac de stockage concernant les directives de déballage et d'installation.
- 2) Déposer les panneaux pour éviter de les endommager au moment de l'installation du distributeur. (Voir «2. LE DEMONTAGE DES PANNEAUX.»)
- 3) Retirez de l'intérieur du bac l'emballage contenant les accessoires.

- 4) Retirer le film plastique protecteur des panneaux. Si le distributeur a été exposé au soleil ou à la chaleur, ne retirer le film qu'après refroidissement de l'appareil.
- 5) Vérifier que les conduites de réfrigérant ne se touchent pas ni ne touchent d'autres surfaces, et que les pales du ventilateur tournent librement.
- 6) Vérifier que le compresseur repose bien sur toutes ses cales anti-vibrations.
- 7) Voir la plaque du constructeur sur le panneau arrière, et vérifier que la tension secteur correspond bien à la tension spécifiée sur la plaque.
- 8) Retirer les bandes adhésives d'expédition qui fixent le guide des cubes.

2. LE DEMONTAGE DES PANNEAUX - Voir Figure 1**Fig. 1**

- | | |
|----------------------|--|
| a) Panneau de dessus | Déposez les deux vis et soulevez |
| b) Panneau avant | Déposez les deux vis, soulevez et tirez vers vous. |

FRANCAIS

3. EMBLACEMENT

IMPORTANT

1. Ce distributeur n'est pas prévu pour être utilisé à l'extérieur. La température ambiante normale de son fonctionnement doit être comprise entre + 7° C et + 40° C. La température normale de l'eau de service doit être comprise entre + 7° C et + 35° C. Si le distributeur fonctionne pendant des périodes prolongées, en dehors de ces températures normales, cela peut influencer sa capacité de production.
2. Le distributeur ne doit pas être positionné à côté de fours, grills ou autres équipements produisant de la chaleur.
3. Il doit être positionné sur un sol ferme et de niveau.
4. Il faut laisser un dégagement de 15 cm à l'arrière, sur les côtés et sur le dessus pour une bonne circulation de l'air et pour faciliter les opérations de maintenance et/ou de réparation éventuellement nécessaires.
5. Cet appareil ne doit pas être installé dans un endroit où un jet d'eau pourrait être utilisé, car il n'est pas étanche à l'arrosage.
6. Ne rien placer devant la grille.
7. Cet appareil ne fonctionne pas aux températures inférieures à zéro. Pour éviter d'endommager la conduite d'alimentation d'eau, vidangez le distributeur quand la température de l'air est inférieure à zéro.

4. INSTALLATION

- L'installation doit être effectuée par du personnel qualifié, conformément aux réglementations actuelles, et aux instructions du fabricant.
 - Une mauvaise installation peut être la cause d'accidents pour les personnes, les animaux et peut endommager l'appareil ou le lieu de son installation. Dans ce cas, le fabricant ne peut être tenu responsable.
- 1) Déballez le distributeur, et fixez les 4 pieds réglables fournis (en option) au fond du bac de stockage, en soulevant le devant du distributeur puis en soulevant l'arrière (NE METTEZ PAS LE DISTRIBUTEUR SENS DESSUS DESSOUS).

- 2) Positionnez le distributeur dans la position permanente choisie.
- 3) Mettez de niveau le distributeur aussi bien d'avant en arrière que de gauche à droite en tournant les vérins de réglage des pattes du bac au moyen d'une clef.
- 4) Remplacez les panneaux dans leur position correcte.

5. RACCORDEMENTS ELECTRIQUES

AVERTISSEMENT CET APPAREIL DOIT ETRE MIS A LA TERRE

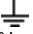
Le distributeur doit avoir une terre qui respecte les réglementations électriques nationales et locales. Pour éviter tout risque d'électrocution grave ou de détérioration importante du matériel, reliez au distributeur un fil de terre adéquat. Avant d'entreprendre n'importe quelle opération d'entretien, de réparation ou de nettoyage, débranchez le cordon d'alimentation du secteur.

- Ce distributeur doit être alimenté séparément. Voir la plaque du constructeur. Il est recommandé d'avoir un circuit d'alimentation secteur propre à cet appareil.
- Il faut généralement obtenir une autorisation pour effectuer l'installation électrique, et recourir aux services d'un électricien qualifié.
- Le codage couleur des fils du cordon d'alimentation, qui est décidé en usine, est le suivant:

Vert et Jaune = Terre
Bleu = Neutre
Marron = Tension

- Si la fiche livrée avec le distributeur ne convient pas à la prise du site d'installation, il faut l'enlever (la couper s'il s'agit d'une fiche moulée) et en monter une autre.

Comme il est possible que le codage couleur des fils du cordon d'alimentation ne corresponde pas au repérage des bornes sur votre fiche, effectuez le raccordement électrique comme suit :

Le fil vert-et-jaune doit être relié à la borne de la fiche repérée par la lettre E ou par le symbole , ou codée en vert ou vert-et-jaune. Le fil bleu doit être relié à la borne repérée par la lettre N ou la couleur noire. Le fil marron doit être relié à la borne repérée par la lettre L ou la couleur rouge.

Si la fiche non recâblable a été coupée du cordon d'alimentation, il faut la jeter. En aucun cas, elle ne doit être réutilisée. L'introduction d'une telle fiche dans une autre prise comporte un grave risque d'électrocution.

6. RACCORDEMENTS DE L'ARRIVEE D'EAU ET DE LA VIDANGE - Voir Figure 2.

AVERTISSEMENT

Pour éviter d'endommager la pompe, ne pas faire fonctionner le distributeur de cubelets quand l'alimentation d'eau est coupée, ou si la pression est inférieure à 0.7 bar.
Ne pas faire fonctionner le distributeur tant que la pression d'eau adéquate n'est pas atteinte.

- Ce distributeur de cubelets ne doit utiliser que de l'eau potable
- Le raccordement aux amenées d'eau ne doit être fait que par un technicien qualifié
- L'arrivée d'eau s'effectue par un 1/2" FPT.

N.B. : Sur les modèles refroidis par l'eau, deux raccords d'arrivée d'eau sont fournis, une pour le distributeur et l'autre pour le condenseur de refroidissement d'eau. Le raccordement d'eau potable au condenseur ne changera pas la performance mais n'est pas utile.

- Il est recommandé d'installer une vanne d'arrêt d'alimentation d'eau ainsi qu'un robinet de vidange. Il est recommandé d'utiliser une vanne à boisseau sphérique pour la vanne d'arrêt. Un type de vanne autre qu'une vanne à boisseau sphérique ne devra pas avoir une ouverture minimum plus petite que le diamètre intérieur de la ligne d'alimentation d'eau car cela peut réduire le débit et entraîner une mauvaise décongélation ou la congélation. Il est recommandé d'utiliser du tube cuivre de diamètre extérieur 13 mm au minimum.
- La pression de l'alimentation d'eau doit être au minimum de 0.7 bar et d'au maximum 8 bar. Si la pression dépasse 8 bar, il est nécessaire d'utiliser une vanne réductrice de pression. NE PAS tenter de réduire au niveau du robinet d'alimentation.
- Le raccord de vidange du distributeur de cubelets

et du bac de stockage est de ¾» FTP. La vidange de la condensation est un tuyau de 10 mm diamètre intérieur. Les tuyauteries de raccordement pour la vidange du condenseur et celle du distributeur doivent être effectuées séparément de celles de la vidange du réservoir. La vidange finale doit être équipée d'une aération pour assurer un bon débit pendant le cycle de récolte (voir Figure 2).

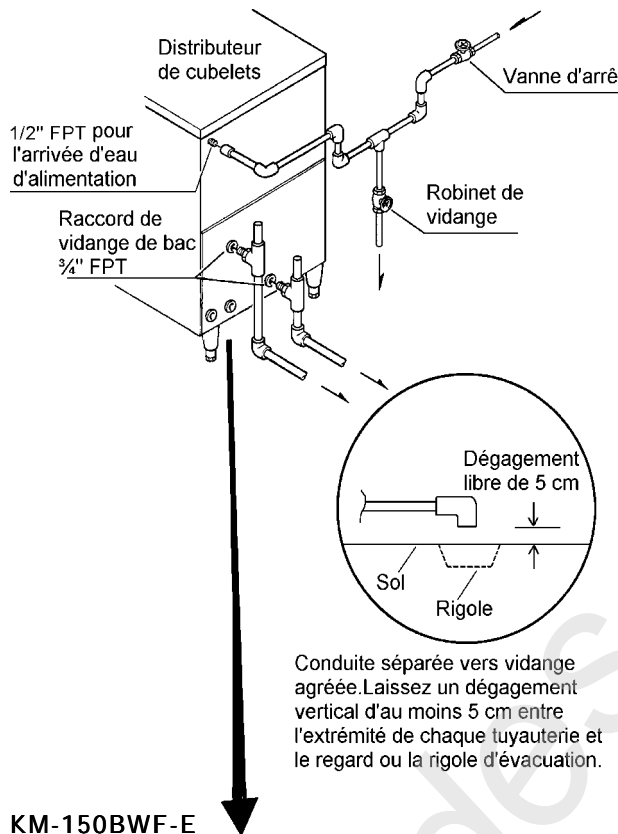
- Pour le soudage, ne PAS utiliser des raccords soudés car l'application de la chaleur au distributeur ou au réservoir peut endommager les raccords intérieurs.

N.B. : Sur les modèles refroidis par l'eau, un raccord 3/8" FTP est fourni pour la sortie de vidange du condenseur.

- Les vidanges doivent avoir une dénivellation de 2 cm pour 30 cm sur les écoulements horizontaux afin d'avoir un bon écoulement.
- Les vidanges ne doivent pas être raccordées directement au circuit d'évacuation d'eaux usées. Il faut laisser un espace d'air d'un minimum de 5 cm verticalement entre l'extrémité du tuyau de vidange du distributeur ou du réservoir et l'orifice de l'évacuation au niveau du sol (Voir Figure 2).
- Ce distributeur doit être installé conformément aux réglementations nationales, provinciales et locales.
- Dans certaines régions, il peut être obligatoire d'installer un anti-retour dans le circuit d'eau de refroidissement.

FRANCAIS

KM-150BAF-E



KM-150BWF-E

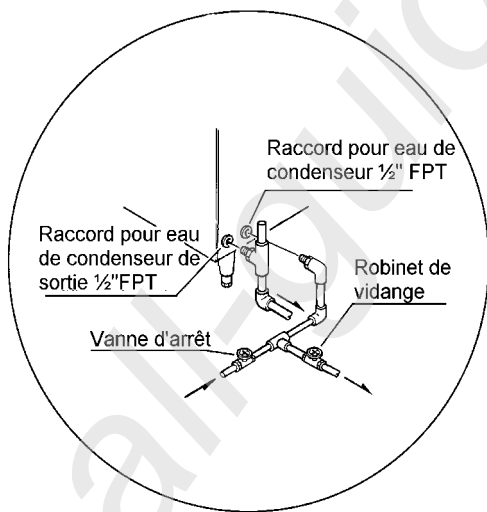


Fig. 2

7. MISE EN ROUTE

AVERTISSEMENT

- Le distributeur de cubelets est conçu pour produire et stocker de la glace alimentaire. Pour le maintenir dans un parfait état d'hygiène :
 - Lavez-vous les mains avant d'enlever de la glace
 - Utilisez la pelle plastique fournie (accessoire)
 - Le bac de stockage n'est réservé que pour la glace. Ne stockez rien d'autre dans ce bac.
 - La pelle doit toujours être propre. Nettoyez-la avec un produit détergent neutre et rincez-la soigneusement.
 - Fermez la porte immédiatement après avoir enlevé la glace pour empêcher la pénétration de saletés, de poussière ou d'insectes dans le réservoir.
- Toute utilisation d'équipements électriques exige l'observation de certaines règles fondamentales, en particulier :
 - L'apparition d'un degré d'humidité élevé augmente le risque des courts-circuits et des électrocutions. En cas de doute, débranchez la machine.
 - Ne pas utiliser l'appareil si vous êtes pieds nus.
 - Pour déconnecter la machine du secteur, ne tirez pas sur le cordon électrique.
 - Cet appareil ne doit pas être confié à de jeunes enfants sans surveillance ni à des personnes âgées ou infirmes.
- Toutes les pièces sont réglées en usine. Tout mauvais réglage peut provoquer une panne.
- Si l'appareil est débranché, attendez au moins 3 minutes avant de remettre le distributeur de cubelets en route pour éviter toute détérioration du compresseur.
- Ne pas faire fonctionner le groupe en position LAVAGE sans eau dans le réservoir d'eau. Cela endommagerait le joint d'étanchéité de la pompe à eau.

1. Ouvrir le robinet d'arrêt de la conduite d'alimentation d'eau.

2. Enlever le panneau avant

3. Mettre le commutateur de commande de la boîte de commande en position «GLACE».
4. Replacer le panneau avant dans sa position correcte
5. Etablir l'alimentation électrique et laisser le réservoir d'eau se remplir d'eau et le distributeur fonctionner pendant 10 mn en tout (voir 8 pour la Séquence des opérations).
6. Couper l'alimentation électrique, et déposer le panneau avant ainsi que le couvercle du socle.
7. Déposez le guide de cubelets et la conduite de trop-plein afin de vidanger le réservoir d'eau (voir fig. 2)

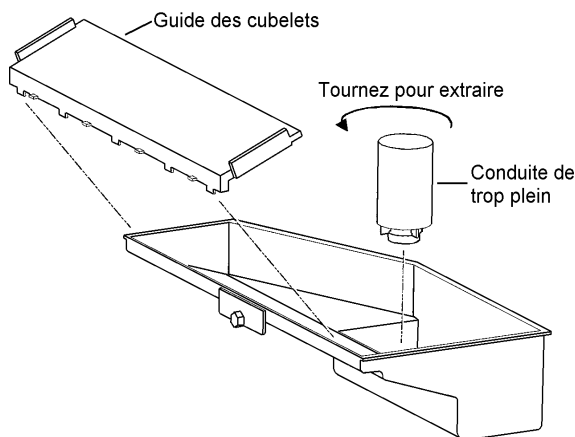


Fig 3

8. Remplacez le tuyau de trop-plein et le guide des cubelets dans leur position correcte.
9. Nettoyez le bac de stockage.
10. Fermez la porte du bac.
11. Etablissez l'alimentation électrique, et mettez le processus automatique de fabrication de glace en marche.
12. Attendez jusqu'à ce qu'un cycle complet de dégivrage et fabrication de glace soit terminé.

VERIFICATION DU SYSTEME DE CONTROLE DE BAC

- 1) Ouvrez la porte du bac.
- 2) Maintenez une certaine quantité de glace contre le bulbe de contrôle du bac. Le distributeur doit alors s'arrêter dans les 6 à 10 secondes qui

suivent.

- 3) Fermez la porte du bac.
- 4) Vérifiez que le distributeur se remette en marche.

8. FONCTIONNEMENT

Les étapes de la séquence de mise en route / fonctionnement sont les suivantes :

1) Cycle de remplissage d'une minute

Le groupe commence toujours par un cycle de remplissage d'1 minute. Quand il est mis sous tension, la vanne d'eau est excitée et la période de remplissage commence. Après 1 minute, le panneau vérifie que la valve à flotteur est fermée. Si c'est le cas, le cycle d'accumulation commence. Sinon, le groupe ne démarrera pas sans une quantité d'eau adéquate dans le réservoir. Cela sert de sécurité niveau bas. La vanne d'eau reste excitée pendant des cycles supplémentaires de 1 minute jusqu'à ce qu'une quantité suffisante d'eau pénètre dans le réservoir et que la soupape à flotteurs se ferme.

2) Premier cycle de production

Le compresseur démarre, la soupape à gaz chaud s'ouvre, le robinet d'eau reste ouvert et la production commence. Au fur et à mesure que l'évaporateur se réchauffe, le thermistor se trouvant sur la ligne d'aspiration vérifie qu'il y ait une température de 9 ° C. Quand cette température est atteinte, la production est sous le contrôle du temporisateur de décongélation réglable du tableau de commande, qui est réglé en usine pour des conditions normales. Ce réglage peut faire varier le temporisateur de décongélation de 1 à 3 minutes qui est réglé en usine pour des conditions normales.

3) Cycle de congélation

Quand le temporisateur a terminé le cycle de récolte, les robinets de gaz chaud et d'eau se ferment, et le cycle de production de glace peut commencer. Pendant les 5 premières minutes, le tableau de commande refuse tout signal du contact à flotteur. Ce délai minimum de congélation de 5 minutes sert de protection contre un court-cycle. A la fin des 5 minutes, le contact à flotteur prend la commande. Au fur et à mesure que la glace s'accumule sur l'évaporateur, le niveau d'eau dans le réservoir baisse. La congélation continue jusqu'à ce que le contact à flotteur s'ouvre et arrête la production de glace.

FRANCAIS

4) Cycle Normal de Récolte

Le clapet d'eau s'ouvre pour laisser l'eau aider la récolte. L'évaporateur se réchauffe progressivement et le thermistor atteint 9° C. Le tableau de commande reçoit le signal du thermistor et démarre le temporisateur de décongélation. Le clapet d'eau est ouvert pendant la récolte (décongélation) pendant un maximum de 6 minutes ou pendant la durée de la récolte, selon ce qui est le plus court. Quand la période du temporisateur de décongélation est écoulée, le cycle de décongélation est terminé et le nouveau cycle de congélation commence.

Le groupe passe aux séquences 3), 4) et 5) jusqu'à ce que la commande du réservoir détecte de la glace et arrête le groupe.

N.B. : Si le distributeur ne commence pas ou ne termine pas un cycle de fonctionnement, veuillez contacter votre distributeur Hoshizaki le plus proche pour obtenir de l'aide.

N.B. : Le distributeur peut s'arrêter de fonctionner quand l'alimentation d'eau est coupée, ou quand la pression est inférieure à 0,7 bar. Quand la pression d'eau appropriée est rétablie, le distributeur se remet automatiquement en marche.

8) Les boulons de retenue du compresseur et les conduites de réfrigérants ont-ils été vérifiés contre les problèmes de vibrations et les pannes qu'ils peuvent entraîner ?

9) Le bon fonctionnement du contact de commande du réservoir a-t-il été vérifié ?

10) A-t-on remis à l'utilisateur la notice d'instructions et lui a-t-on indiqué comment faire fonctionner le distributeur et souligné l'importance de la maintenance périodique recommandée ?

11) A-t-on remis à l'utilisateur le nom et le numéro de téléphone d'un agent de maintenance agréé ?

9. CHECK LIST FINALE

1) Le distributeur de cubelets est-il de niveau ?

2) Le distributeur est-il situé dans un endroit où la température ambiante est comprise entre + 7° C et + 40° C pendant toute l'année ?

3) Existe-t-il un dégagement d'au moins 15 cm tout autour de l'appareil pour la maintenance ou les réparations ?

4) Toutes les bandes adhésives, cartons et éléments de conditionnement ont-ils été enlevés du distributeur ? Les guides des cubes sont-ils dans leur position correcte ?

5) Tous les raccordements de tuyauterie et électriques ont-ils été faits ?

6) La tension d'alimentation secteur a-t-elle été vérifiée ou testée par rapport à ce qui est indiqué sur la plaque du fabricant ?

7) La vanne d'arrêt et la vanne de vidange de la conduite d'alimentation d'eau ont-elles été installées ? A-t-on vérifié que la pression d'alimentation d'eau soit au minimum de 0,7 bar et au maximum de 8 bar ?

IMPORTANTE

1. Para llevar a cabo una instalación segura y correcta del producto, lea este libro cuidadosamente de antemano y siga las instrucciones contenidas en él.
2. Al finalizar la instalación, ponga en marcha el dispensador de hielo para comprobar irregularidades y facilite instrucciones al usuario sobre la forma de uso y mantenimiento del dispensador de acuerdo con el manual de instrucciones.
3. Este libro debe entregarse al usuario después de la instalación y el usuario debe guardarlo con el manual de instrucciones para las consultas posteriores que puedan ser necesarias.

ADVERTENCIA

Sólo deberá realizar la instalación el personal capacitado, de conformidad con las normativas en vigor, y siguiendo las instrucciones del fabricante.

1. DESEMBALADO**ADVERTENCIA**

Mantener a los niños alejados de los componentes de embalaje (bolsas de plástico y poliestireno estirado) ya que pueden ser posibles fuentes de peligro.

PRECAUCIÓN

Retirar el cartón de embalaje, cinta(s) y empaquetado, si los materiales de embalaje se dejan dentro del dispensador, no funcionará correctamente.

- 1) Tras retirar el embalaje, asegúrese de que el dispensador de hielo se encuentra en buenas condiciones. En caso de duda, no utilice el equipo y acuda al personal profesional cualificado.
- 2) Retire los paneles para evitar daños cuando instale el dispensador de hielo. (Consulte "2. CÓMO RETIRAR LOS PANELES").
- 3) Retire del compartimento del compresor el embalaje que contiene los accesorios.
- 4) Retire la película de plástico de protección de los paneles. Si el dispensador se expone al sol o a una fuente de calor, retire la película después de que el dispensador de hielo se haya enfriado.

- 5) Compruebe que las conducciones del refrigerante no rozan o tocan otras tuberías o superficies y que las paletas del ventilador giran libremente.
- 6) Compruebe que el compresor no tiene holgura sobre todos los cojinetes de montaje.
- 7) Compruebe la placa de características del panel trasero y asegúrese de que el voltaje que usted va a suministrar a la máquina coincide con el voltaje que se especifica en la placa.
- 8) Retire las cintas de envío que sujetan la guía de los cubitos.

2. CÓMO RETIRAR LOS PANELES

- Vea la figura 1

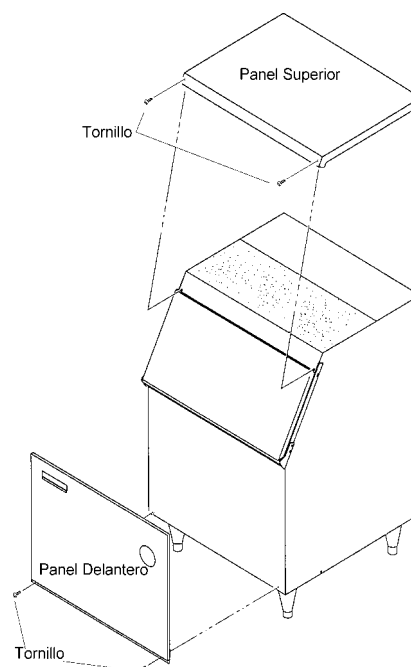


Fig. 1

- | | |
|--------------------|--|
| a) Panel Superior | Retirar los dos tornillos y quitarlos |
| b) Panel Delantero | Retirar los dos tornillos, levantar y tirar hacia sí |

ESPAÑOL

3. UBICACIÓN

IMPORTANTE

1. Este dispensador de hielo no está diseñado para su uso en exteriores. La temperatura ambiente normal de funcionamiento debe estar entre +7 °C y +40 °C. La temperatura normal de funcionamiento del agua debe ser entre +7 °C y + 35 °C. El funcionamiento del dispensador durante prolongados periodos de tiempo fuera de estas condiciones normales de temperatura puede afectar la capacidad de producción.
2. El dispensador de hielo no se debe situar cerca de hornos, parrillas u otros equipos de producción de calor.
3. La ubicación debe proporcionar una base firme y nivelada para el equipo.
4. Deje 15 cm de separación por las partes trasera, laterales y superior para obtener una circulación de aire apropiada y para facilitar los trabajos de mantenimiento y servicio cuando sean necesarios.
5. Este aparato no es apropiado para su instalación en áreas donde se puedan utilizar chorros de agua o donde no esté autorizado que existan goteos.
6. No coloque nada delante de la persiana de ventilación.
7. Este dispensador de hielo no trabajará a temperaturas por debajo del punto de congelación. Para evitar daños en las conducciones del suministro de agua, vacíe el dispensador cuando la temperatura del aire esté bajo cero.

4. INSTALACIÓN

- La instalación la debe realizar personal cualificado siguiendo los reglamentos en vigor y de acuerdo con las instrucciones del fabricante.
 - Una instalación incorrecta puede ocasionar daños a personas y animales, al propio dispensador de hielo o a las instalaciones donde se haya ubicado, de los cuales no podrá ser considerado responsable el fabricante.
- 1) Desembalar el fabricante de hielo e instalar las cuatro patas ajustables incluidas (opcional) al fondo de la Cubeta de Almacén levantando la parte delantera y después la parte trasera (ESTE APARATO NO SE DEBE VOLCAR BOCA ABAJO)

- 2) Colocar el aparato en la posición permanente seleccionada
- 3) Nivelar el aparato en las dos direcciones, de izquierda a derecha y de delante a atrás girando los Ajustadores de Patas en la Cubeta con una llave inglesa.
- 4) Reponer los paneles en las posiciones correctas

5. CONEXIÓN ELÉCTRICA

ADVERTENCIA

ESTE APARATO SE DEBE CONECTAR A TIERRA

Este dispensador de hielo necesita una conexión a tierra que cumpla con las normativas del código de electricidad nacional y local. Para evitar la posible descarga eléctrica severa a personas, o gran daño al equipo, instalar un cable a tierra adecuado en el dispensador de hielo. Retirar el enchufe de la corriente antes de realizar cualquier mantenimiento, reparación o limpieza.

- Este dispensador de hielo debe disponer de una toma independiente de energía eléctrica o una caja de contacto individual de la capacidad apropiada. Lea la placa de características. En ella se recomienda que este dispensador sea el único aparato eléctrico de ese circuito de acometida.
- Normalmente se recurre al permiso eléctrico y servicios de un electricista autorizado.
- Los cables de potencia que se instalan en fábrica son de color de acuerdo con los siguientes códigos:

Verde y amarillo = Tierra
Azul = Neutro
Marrón = Corriente

- Si el enchufe hembra del punto de instalación no fuera apropiado para el enchufe que se suministra con el producto, se debe retirar este enchufe (cortándolo si está moldeado) e instalar uno correcto.

Debido a que los colores del cable en el cordón de corriente de este aparato puede que no correspondan con las marcas de colores que identifican las bornas en su enchufe, proceda como sigue:

El cable de color Verde y Amarillo se debe conectar a la borna en el enchufe marcado con la letra E o con el símbolo \perp o de color verde o

verde y amarillo. El cable de color azul se deberá conectar a la borna marcada con la letra N o de color negro. El cable de color marrón se debe conectar a la borna marcada con la letra L o de color rojo.

Si se ha cortado el enchufe no rebobinable del cordón de corriente, se deberá tirar. No se debe tratar de usar. Si se introduce este enchufe en otro punto presenta un serio riesgo de descarga eléctrica.

6. CONEXIONES DE SUMINISTRO DE AGUA Y DESAGÜE- Vea la figura 2

ADVERTENCIA

Para evitar daños al conjunto de la bomba, no ponga en funcionamiento el dispensador de hielo cuando el suministro de agua esté APAGADO (OFF) o si la presión cae por debajo de 0,7 bar. No ponga en funcionamiento el dispensador hasta alcanzar la presión de agua apropiada.

- Para el suministro al dispensador sólo se debe utilizar agua potable.
- La conexión al suministro de agua la debe realizar personal profesional cualificado.
- La entrada de agua es un accesorio de 1/2" FPT.

Nota: En los modelos refrigerados por agua se facilitan dos entradas para el suministro de agua. Uno de ellos es para el dispensador de hielo y el otro para el condensador refrigerado por agua. La conexión de agua potable al condensador no afectará el funcionamiento, pero puede provocar un consumo y desperdicio excesivo de agua.

- En la tubería de suministro de agua se debe instalar una válvula de corte y una válvula de desagüe. Para la válvula de corte se recomienda una válvula de bola. Otros tipos de válvula que se instalen no deben tener una abertura mínima que sea inferior al diámetro interior de la tubería de suministro de agua, pues ello provocaría una reducción en el volumen del flujo de agua que conduciría a un mal funcionamiento de los procesos de descongelación y congelación. Para las tuberías de suministro de agua se recomiendan tubos de cobre de 13 mm de diámetro exterior.

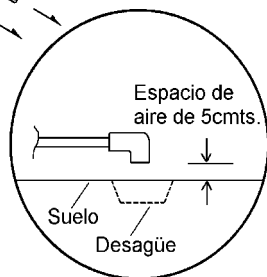
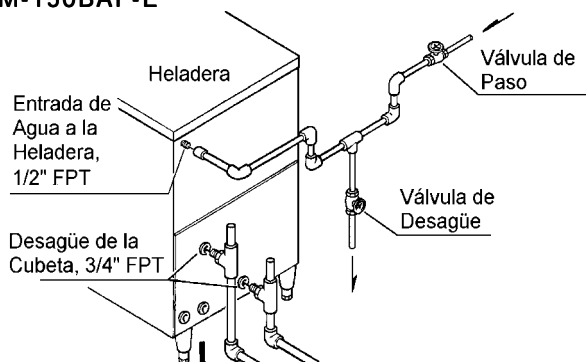
- La presión del suministro de agua debe ser, como mínimo, de 0,7 bar, y como máximo, de 8. Si la presión superara 8 bar, es necesario utilizar una válvula reductora de presión. NO cierre el grifo de suministro.
- La salida de desagüe del vaciadero del dispensador y del recipiente de almacenamiento es 3/4" FTP. El desagüe para la condensación es una tubería de 10 mm de diámetro interior. Las conexiones de las conducciones de desagüe del dispensador de hielo y del condensador se deben realizar por separado del desagüe del recipiente. Se debe soplar el desagüe del sumidero para asegurar un volumen adecuado de flujo durante el ciclo de recogida de producto (vea la figura 2).
- NO utilice acopladores del tipo de soldadura, pues la aplicación de calor al dispensador o al recipiente puede provocar daños en las conexiones internas.

Nota: En los modelos refrigerados por agua, se facilita una salida de desagüe del condensador de 3/8" FTP.

- Para obtener un buen flujo, el sistema de desagüe debe tener una caída de 2 cm por cada 30 cm de carrera horizontal.
- Los desagües no deben estar conectados directamente al sistema de alcantarillado. Entre el extremo de la tubería de desagüe del dispensador o el depósito de hielo y el desagüe del suelo debe existir una separación libre mínima de 5 cm verticales (vea la figura 2).
- Este dispensador de hielo se debe instalar de acuerdo con los reglamentos nacionales, provinciales y locales que sean de aplicación.
- En determinadas zonas puede ser necesario un limitador de contraflujo en el circuito del agua de refrigeración.

ESPAÑOL

KM-150BAF-E



Tubería separada al desagüe autorizado. Dejar un espacio vertical de aire entre el extremo de cada tubería y el desagüe.

KM-150BWF-E

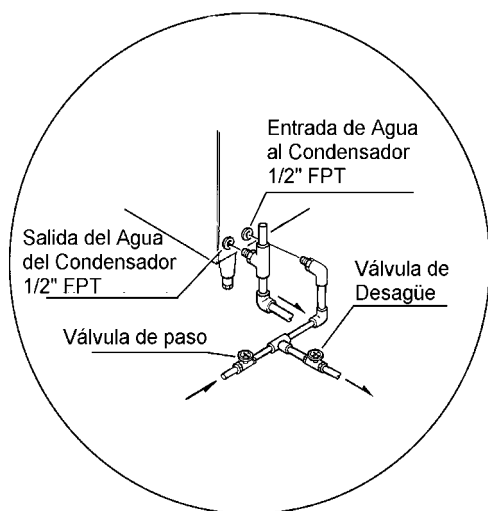


Fig. 2

7. ARRANQUE INICIAL

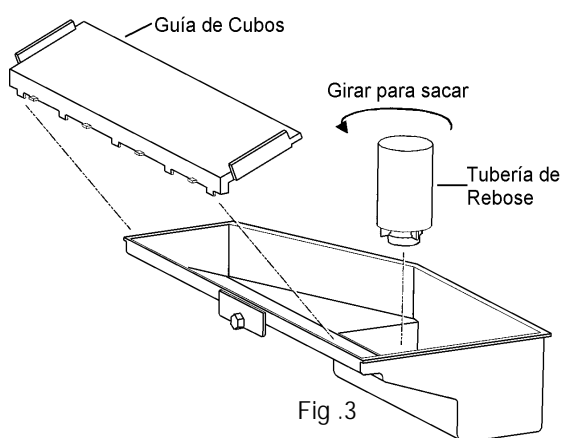
ADVERTENCIA

- Este dispensador de hielo está diseñado para fabricar hielo comestible. Para mantener el dispensador en condiciones higiénicas:
 - Lávese las manos antes de retirar el hielo
 - Utilice los colectores de plástico facilitados (accesorio)
 - El recipiente de almacenamiento es sólo para hielo. No almacene ninguna otra cosa
 - Mantenga limpio el colector. Límpielo utilizando un limpiador neutro y aclárelo bien.
 - Cierre la puerta después de retirar el hielo para evitar la entrada de suciedad, polvo o insectos en el recipiente de almacenamiento.
- El uso de cualquier equipo eléctrico implica la observación de algunas normas básicas. En particular:
 - Ambientes de gran humedad aumentan el riesgo de cortocircuitos y de descargas eléctricas. En caso de duda, desconecte el dispensador de hielo.
 - No estire del cable de potencia para desenchufar el dispensador de la red de alimentación.
 - No utilice el dispensador con los pies desnudos.
 - Este aparato no es apropiado para que lo utilicen sin supervisión jóvenes, niños, personas de edad o enfermas.
- Todas las piezas han sido ajustadas en fábrica. Ajustes incorrectos pueden provocar fallos de la máquina.
- Si se desconecta la unidad, espere 3 minutos, como mínimo, antes de volver a poner en marcha el dispensador de hielo; de esta forma evitará daños en el compresor.
- No ponga en funcionamiento la unidad en la posición "LAVADO" sin que haya agua en el depósito de agua. Ello provocaría daños en el sello de la bomba de agua.

1) Abra la válvula de corte de la tubería de suministro de agua.

2) Retire el panel frontal.

- 3) Ponga el interruptor de control (caja de control) en posición "HIELO".
- 4) Vuelva a colocar el panel frontal en su posición correcta.
- 5) Conecte el suministro de corriente y deje que se llene el depósito de agua y que el dispensador funcione durante un periodo de 10 minutos (Vea 8 para Secuencia de Operación).
- 6) Desconecte el suministro de corriente y retire el panel frontal y la tapa de la base.
- 7) Retirar la Guía de Cubos y la Tubería de Rebose para desaguar el Depósito de Agua (Ver Fig. 2).



- 8) Reponer la Tubería de Rebose y la Guía de Cubos en sus posiciones correctas.
- 9) Limpiar la Cubeta de Almacén.
- 10) Cerrar la Puerta de la Cubeta.
- 11) Conectar la corriente, e iniciar el proceso automático de fabricación de hielo.
- 12) Esperar hasta que se termine un ciclo de fabricación de hielo y deshielo.

REVISION DEL CONTROL DE CUBETA

- 1) Abrir la Puerta de la Cubeta.
- 2) Poner algo de hielo frente a la Bombilla de Control de la Cubeta. Se deberá para la fabricación de hielo entre 6 y 10 minutos.
- 3) Cerrar la Puerta de la Cubeta.
- 4) Comprobar que comienza a funcionar de nuevo la heladora.

8. OPERACIÓN

Los pasos en la secuencia de puesta en marcha/operación son los siguientes:

- 1) Ciclo de llenado de 1 minuto

La unidad comienza siempre con el ciclo de llenado de 1 minuto. Cuando se conecta corriente eléctrica a la unidad, la válvula del agua se activa y empieza el periodo de llenado. Tras 1 minuto, el tablero comprueba que el interruptor de flotador está cerrado. Si el interruptor de flotador está cerrado, empieza el ciclo de recogida de producto (hielo). En caso contrario, la unidad no se pondrá en marcha hasta que exista un volumen adecuado de agua en el sumidero. Esto sirve como corte de seguridad para bajos niveles de agua. La válvula del agua se mantendrá activada durante ciclos adicionales de 1 minuto hasta que entre suficiente agua en el sumidero y el interruptor de flotador se cierre.

- 2) 1º ciclo de recogida de producto

El compresor se pone en marcha, la válvula de gas caliente se abre, la válvula del agua permanece abierta y comienza la recogida de producto. A medida que se calienta el evaporador, el termistor ubicado en la tubería de succión comprueba que hay una temperatura de 9 °C. Cuando se alcanza esta temperatura, el proceso de recogida de producto pasa al temporizador ajustable de descongelación del tablero de control, el cual ha sido ajustado en fábrica para las condiciones normales. Este ajuste permite realizar variaciones en el temporizador de descongelación de 1 a 3 minutos.

- 3) Ciclo de congelación

Después de que termine el ciclo de recogida de producto, las válvulas de gas caliente y del agua se cierran y comienza el ciclo de producción de hielo. Durante los primeros 5 minutos, el tablero de control no aceptará señales del interruptor de flotador. Esta congelación mínima de 5 minutos actúa como protección contra cortocircuitos. Al finalizar los 5 minutos, el interruptor de flotador asume el control. A medida que aumenta el hielo en el evaporador, el nivel de agua en el sumidero desciende. La congelación continua hasta que se abre el interruptor de flotador y finaliza la producción de hielo.

ESPAÑOL

4) Ciclo normal de recogida de producto

La válvula de agua se abre para permitir que el agua contribuya a la recogida del producto. A medida que se calienta el evaporador, el termistor alcanza 9 °C. El tablero de control recibe la señal del termistor y pone en marcha el temporizador de descongelación. La válvula de agua se abre durante la recogida (descongelación) por un tiempo máximo de 6 minutos o mientras dure la recogida de producto, lo que antes finalice. Cuando el temporizador de descongelación finaliza su cuenta atrás, el ciclo de descongelación ha terminado y comienza el siguiente ciclo de congelación.

La unidad continúa las secuencias 3), 4) y 5) hasta que el control del recipiente detecta hielo y desconecta la unidad.

Nota: Si el dispensador de hielo no inicia o finaliza un ciclo de funcionamiento, póngase en contacto con su distribuidor Hoshizaki más cercano para que le facilite orientación.

Nota: El dispensador de hielo puede detenerse cuando el suministro de agua está DESCONECTADO, o si la presión cae por debajo de 0,7 bar. Cuando se alcanza la presión adecuada de agua, el dispensador se pone de nuevo en funcionamiento de forma automática.

8) ¿El compresor tiene apretados los pernos y se han comprobado las tuberías del refrigerante para detectar vibraciones y posibles fallos?

9) ¿Se ha comprobado que funciona correctamente el interruptor de control del recipiente?

10) ¿El usuario final ha recibido el manual de instrucciones y ha sido instruido en la forma de operar el dispensador y la importancia del mantenimiento periódico recomendado?

11) ¿Se le ha dado al usuario final el nombre y número de teléfono del representante autorizado del servicio técnico?

9. LISTA FINAL DE COMPROBACIÓN

- 1) ¿El dispensador está nivelado?
- 2) ¿El dispensador está en un emplazamiento donde la temperatura ambiente se encuentre entre +7 °C y +40 °C durante todo el año?
- 3) ¿Existe como mínimo una separación de 15 cm alrededor del dispensador para facilitar su mantenimiento o servicio?
- 4) ¿Han sido retiradas del dispensador todas las cintas de envío, embalajes y cartones? ¿Se encuentran en su posición correcta las guías de los cubitos?
- 5) ¿Se han realizado todas las conexiones eléctricas y de tuberías?
- 6) ¿Se ha comprobado el voltaje del suministro de corriente con las indicaciones de la placa de características?
- 7) ¿Se han instalado las válvulas de corte en las tuberías de suministro de agua y de desagüe? ¿Se ha comprobado la presión del suministro de agua para asegurarse de que existe una presión mínima de 0,7 bar y máxima de 8 bar?

IMPORTANTE

1. Per un'installazione sicura e affidabile del prodotto, leggere prima attentamente questo opuscolo e seguire le istruzioni in esso contenute.
2. Una volta completata l'installazione, avviare la macchina per controllare che non presenti anomalie e istruire l'utente sull'uso e la manutenzione della macchina secondo quanto previsto dal manuale di istruzione.
3. Ad installazione avvenuta, consegnare questo opuscolo all'utente che dovrà conservarlo unitamente al manuale di istruzione per eventuali riferimenti futuri.

AVVERTENZA

L'installazione deve essere eseguita da personale qualificato, in ottemperanza alle norme vigenti e secondo le indicazioni del fabbricante.

1. DISIMBALLAGGIO**AVVERTENZA**

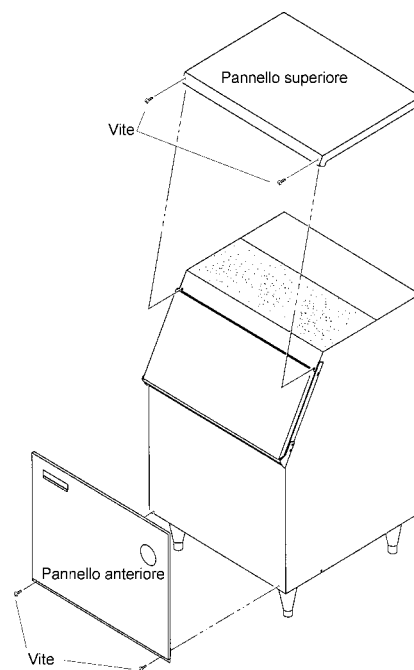
Tenere i bambini lontano dai componenti dell'imballo (sacchetti di plastica e polistirolo espanso) poiché costituiscono potenziali fonti di pericolo.

ATTENZIONE

Rimuovere il cartone di imballaggio, il nastro adesivo e l'involucro. Il distributore non può funzionare se al suo interno sono presenti residui del materiale di imballaggio.

1. Dopo aver rimosso l'imballaggio, assicurarsi che la macchina sia in buone condizioni. Nel dubbio, non metterlo in funzione e rivolgersi a personale qualificato.
2. Prima di procedere con l'installazione, togliere i pannelli per evitare possibili danni (v. 2. Rimozione dei pannelli).
3. Rimuovere il pacchetto contenente gli accessori dalla vaschetta.
4. Rimuovere la pellicola protettiva dai pannelli. Se la macchina è esposta al sole o ad altra fonte di calore, rimuovere la pellicola dopo averla fatta raffreddare.

5. Controllare che i condotti del refrigerante non siano a contatto tra loro o con altre superfici e che le pale della ventola possano ruotare liberamente.
6. Controllare che il compressore sia posizionato correttamente sui relativi blocchetti.
7. Verificare che il voltaggio applicato sia quello riportato sulla targhetta posta sul pannello posteriore.
8. Togliere il nastro da imballaggio che fissa le guide della cubettatrice.

2. RIMOZIONE DEI PANNELLI (V. FIG. 1)**Fig. 1**

- a) Pannello superiore togliere le due viti e togliere sollevandolo.
- b) Pannello anteriore togliere le due viti, sollevare e tirare verso di sé.

ITALIANO

3. UBICAZIONE

IMPORTANTE

1. Questo apparecchio non è stato progettato per l'uso all'aperto. La temperatura dell'ambiente di esercizio dovrebbe mantenersi tra i 7°C e i 40°C, e quella dell'acqua tra i 7°C e i 35°C. Impiegare per lungo tempo questo apparecchio a temperature diverse da quelle indicate potrebbe danneggiarne seriamente la capacità produttiva.
2. Questo apparecchio non dovrebbe essere collocato in prossimità di forni, grill o altre fonti di calore.
3. Collocare l'apparecchio su una superficie solida e piana.
4. Lasciare uno spazio di 15 cm al di sopra dell'apparecchio e in corrispondenza delle pareti laterali e posteriore dell'apparecchio per favorire il passaggio dell'aria ed eventuali interventi di manutenzione.
5. Questo distributore non è indicato per l'installazione in aree in cui sia previsto l'uso di idrogetti e dove non sia consentito il gocciolamento.
6. Non collocare alcun oggetto di fronte alla griglia di ventilazione.
7. Questo apparecchio non è in grado di funzionare a temperature al di sotto dello zero. Per evitare danni alla linea idrica, svuotare l'apparecchio in caso la temperatura scenda al di sotto dello zero.

4. INSTALLAZIONE

- L'installazione dell'apparecchio deve essere effettuata da personale qualificato, in base alle norme vigenti e alle istruzioni fornite dal fabbricante.
 - Un'impropria installazione può causare danni all'apparecchio, a persone, animali e cose verso cui il fabbricante non può ritenersi responsabile.
- 1) Togliere dall'imballaggio la cubettatrice e fissare i quattro piedini regolabili forniti (opzionali) al fondo della vaschetta di deposito sollevando la parte anteriore della cubettatrice e successivamente la parte posteriore (NON CAPOVOLGERE LA CUBETTATRICE).

- 2) Collocare la cubettatrice nella posizione permanente prescelta.
- 3) Livellare la cubettatrice nei sensi sinistra - destra e fronte - retro.
- 4) Rimontare i pannelli in posizione corretta.

5. COLLEGAMENTI ELETTRICI

AVVERTENZA

COLLEGARE IL DISTRIBUTORE A UNA PRESA DI TERRA

Per questo distributore è necessario disporre di una presa a terra che risponda alle normative vigenti. Per evitare traumi alle persone e danni elettrici all'impianto, collegare il distributore a una presa a terra con un apposito filo. Rimuovere la spina dalla presa di corrente prima di effettuare qualunque intervento di manutenzione, riparazione o pulizia.

- Questo apparecchio deve essere collegato ad alimentazione separata o a una presa di corrente di adeguata capacità. Controllare quanto riportato sulla targhetta. È consigliabile che la cubettatrice sia l'unico apparecchio elettrico collegato a quel circuito di alimentazione.
- Di solito sono necessari l'assistenza e la certificazione di un elettricista autorizzato.
- I fili di alimentazione sono rivestiti secondo il seguente schema colore:

verde e giallo = terra
 blu = neutro
 marrone = positivo

- Qualora le prese elettriche disponibili non siano adatte alla spina fornita con il distributore, è necessario sostituire la spina (se necessario tagliando il filo) con un'altra appropriata.

Poiché i colori dei fili nel cavo di alimentazione di questo distributore potrebbero non corrispondere a quelli dello schema precedente utilizzato per la presa di alimentazione, procedere nel modo seguente:

collegare il filo verde e giallo al terminale identificato con la lettera E o con il simbolo \perp o di colore verde o verde e giallo. Collegare il filo blu al terminale identificato con la lettera N o di colore nero. Collegare il filo marrone al terminale identificato con la lettera L o di colore rosso.

Disfarsi della spina non riutilizzabile tagliata dal cavo di alimentazione. Non cercare di riutilizzarla. Inseririla in una qualunque presa di corrente costituisce un grave rischio di folgorazione.

6. COLLEGAMENTI PER ALIMENTAZIONE E SCARICO ACQUA. FIG 2.

AVVERTENZA

Per evitare danni alla pompa, non utilizzare la cubettatrice senza acqua o con pressione inferiore ai 0,7 bar. Non mettere in funzione l'apparecchio senza prima aver raggiunto la giusta pressione dell'acqua.

- Utilizzare esclusivamente acqua potabile.
- Rivolgersi a personale qualificato per il collegamento dell'apparecchio all'impianto idraulico.
- Sfiato della vaschetta - passo gas femmina 1/2"

Nota: I modelli con raffreddamento ad acqua sono provvisti di doppia alimentazione: una per la produzione del ghiaccio e l'altra per il condensatore di raffreddamento. Usare acqua potabile per il condensatore non influirà sulle prestazioni dell'apparecchio, ma costituirà un inutile spreco.

- È consigliabile installare una valvola di intercettazione e una di scarico sul condotto di alimentazione. È consigliabile altresì utilizzare una valvola a sfera per la valvola di intercettazione. Per utilizzare un altro tipo di valvola occorre predisporre un'imboccatura di dimensioni superiori a quella del condotto di alimentazione per evitare di ridurre il flusso dell'acqua che potrebbe causare un decadimento delle prestazioni di scongelamento e congelamento. Si raccomanda di utilizzare raccordi in rame di 13 mm per il condotto di alimentazione.
- La pressione dell'acqua di alimentazione deve essere di almeno 0,7 bar e non superare gli 8 bar. Qualora la pressione superi gli 8 bar, usare una valvola di limitazione della pressione. NON agire sul rubinetto dell'acqua.
- I condotti di scarico della cubettatrice e della vaschetta di deposito sono da 3/4" con passo gas, mentre quello per la condensa è da 10 mm. I collegamenti dei condotti di scarico dell'apparecchio e per la condensa devono essere separati da quelli della vaschetta. Predisporre un'intercapedine per il pozzetto di raccolta in modo da facilitare lo scolo durante il ciclo di raccolta (v. Fig. 2).

- NON utilizzare guarnizioni in lega per evitare che il riscaldamento dell'apparecchio o della vaschetta possano danneggiare i collegamenti interni.

Nota: I modelli con raffreddamento ad acqua sono provvisti di un condotto di scarico per il condensatore da 3/8" con passo gas.

- Per favorire lo scolo, i condotti di scarico devono essere dotati di 2 cm di caduta e di 30 cm di corsa orizzontale.
- Non collegare lo scarico direttamente all'impianto fognario. Lasciare almeno 5 cm di spazio tra la fine del condotto di scarico dell'apparecchio o della vaschetta del ghiaccio e il pozzetto al suolo (v. Fig.2).
- Installare l'apparecchio secondo quanto previsto dalle norme vigenti.

ITALIANO

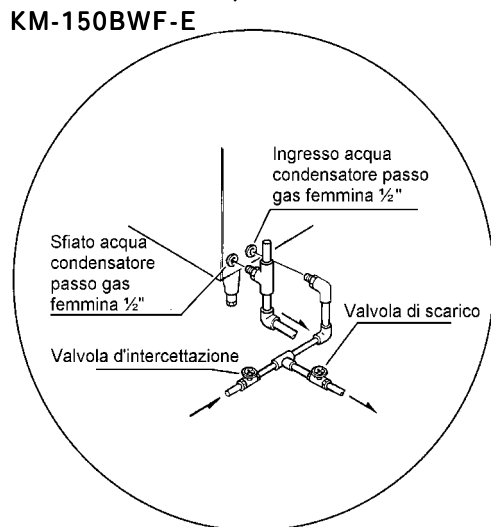
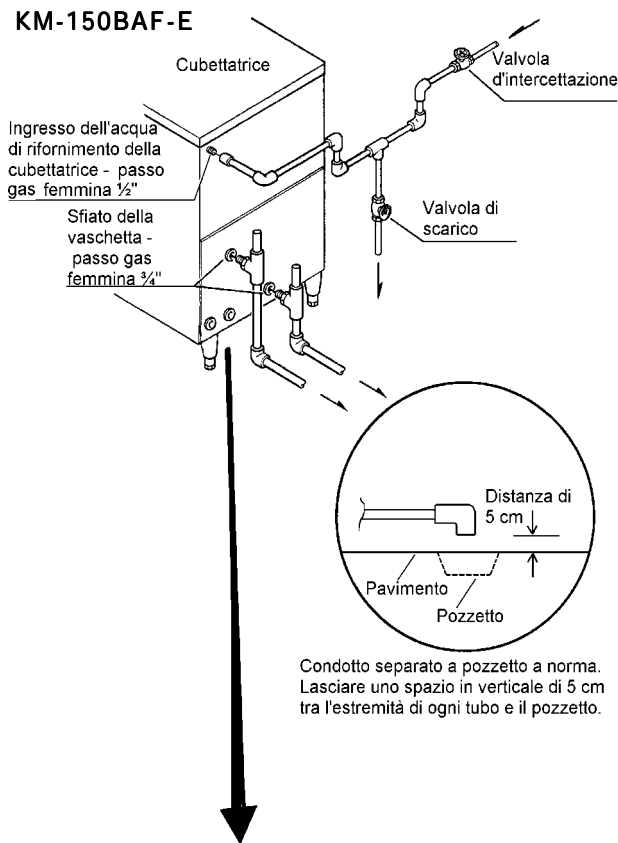


Fig. 2

7. AVVIAMENTO

AVVERTENZA

1. Questa macchina è stato progettato per la produzione di ghiaccio ad uso alimentare. Per l'igiene del distributore si consiglia di:

- Lavarsi le mani prima di togliere il ghiaccio.
- Utilizzare la paletta di plastica in dotazione con gli accessori.
- La vaschetta di deposito deve essere utilizzata solo per il ghiaccio: non depositarvi altro materiale.
- Tenere pulita la paletta di plastica. Pulirla servendosi di un detergente neutro e risciacquare e asciugare.
- Dopo aver tolto il ghiaccio, richiudere lo sportello per prevenire l'accumulo di sporizia, polvere o insetti nella vaschetta di deposito.

2. L'uso di qualunque dispositivo elettrico prevede l'osservanza di alcune regole fondamentali. In particolare:

- L'elevata umidità accresce il rischio di corto circuiti e di folgorazione. Nel dubbio, togliere l'alimentazione al distributore.
- Non usare l'apparecchio a piedi nudi.
- Non strappare il cavo di alimentazione dalla spina per scollegare il distributore dalla rete.
- Questo dispositivo non è adatto all'uso incustodito da parte di bambini, anziani e invalidi.

3. Tutti i componenti sono tarati in fabbrica. Regolazioni improprie possono produrre guasti e anomalie.

4. In caso di spegnimento, attendere almeno 3 minuti prima di riaccendere il distributore, per evitare danni al compressore.

5. Non utilizzare l'apparecchio in posizione "AVAGGIO" mancando l'acqua nel serbatoio: si danneggerebbe la guarnizione della pompa dell'acqua.

1. Aprire la valvola di intercettazione del tubo di alimentazione.
2. Togliere il pannello frontale.
3. Portare l'interruttore di controllo sul quadro di comando in posizione "GHIACCIO".

4. Rimettere il pannello frontale nella sua posizione originaria.
5. Accendere l'apparecchio e attendere circa 10 minuti fino al riempimento del serbatoio dell'acqua e che l'apparecchio inizi a produrre ghiaccio (v. sul capitolo 8. la sequenza di funzionamento).
6. Spegnerne l'apparecchio e togliere il pannello frontale e il coperchio della base.
7. Togliere il guidacubetti e il tubo del troppopieno per svuotare il serbatoio dell'acqua (vedere la figura 2).

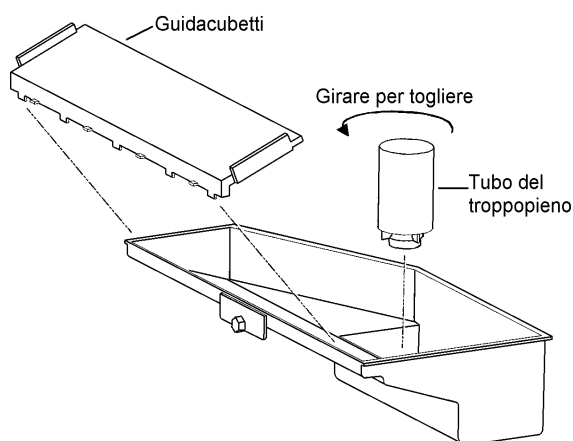


Fig. 3

8. Rimettere il tubo del troppopieno e il guidacubetti in posizione corretta.
9. Pulire la vaschetta di deposito.
10. Chiudere lo sportello della vaschetta.
11. Inserire l'alimentazione elettrica, e avviare il processo automatico di produzione di ghiaccio.
12. Attendere fino al completamento di un ciclo completo di produzione di ghiaccio e di scongelamento.

CONTROLLO COMANDO VASCHETTA

1. Aprire lo sportello della vaschetta.
2. Collocare del ghiaccio davanti al sensore della vaschetta. La cubettatrice dovrebbe arrestarsi entro 6-10 secondi.
3. Chiudere lo sportello della vaschetta.
4. Verificare che la cubettatrice si riavvii.

8. FUNZIONAMENTO

La sequenza delle operazioni di avvio e funzionamento è la seguente:

1. Ciclo di riempimento - 1 minuto

L'apparecchio si avvia sempre con un ciclo di riempimento della durata di un minuto. Dando corrente all'apparecchio, viene attivata la valvola dell'acqua e si avvia il ciclo di riempimento. Dopo un minuto il circuito controlla lo stato della sonda di livello. Se la sonda è chiusa, viene avviato il ciclo di raccolta. In caso contrario, l'apparecchio non si avvierà fino a che non vi sarà acqua a sufficienza nel pozzetto in modo da garantire un livello minimo di sicurezza. La valvola dell'acqua rimarrà attiva per successivi cicli di un minuto finché non vi sia acqua a sufficienza nel pozzetto e non si chiuda la sonda di livello.

2. 1° ciclo di raccolta

Il compressore parte, si apre la valvola dell'aria calda, la valvola dell'acqua rimane aperta e comincia la raccolta. Man mano che l'evaporatore si riscalda, il termistore sulla linea di suzione verifica che raggiunga la temperatura di 9 °C. Al raggiungimento di questa temperatura, il prodotto viene passato al timer di scongelamento del quadro di comando che è preimpostato per il funzionamento in condizioni normali. Il timer è regolabile da 1 a 3 minuti.

3. Ciclo di congelamento

Una volta concluso il ciclo di raccolta, le valvole dell'aria calda e dell'acqua si chiudono e comincia il ciclo di produzione del ghiaccio. Per i primi 5 minuti, la centralina di governo non rileverà alcun segnale proveniente dalla sonda di livello. Quest'intervallo di 5 minuti serve a proteggere l'apparecchio dai cicli ridotti. Al termine di questi 5 minuti, il controllo passa alla sonda di livello. Con l'accumularsi di ghiaccio sull'evaporatore, il livello dell'acqua nel pozzetto diminuisce. Il ciclo di congelamento prosegue finché non si apre la sonda di livello e pone fine alla produzione di ghiaccio.

4. Ciclo di raccolta normale

La valvola dell'acqua si apre in modo da favorire la produzione. Man mano che l'evaporatore si riscalda, il termistore raggiunge la temperatura di 9 °C. La centralina di governo riceve un segnale

ITALIANO

dal termistore e avvia il timer di scongelamento. Durante la produzione (o lo scongelamento) la valvola dell'acqua si apre per un massimo di 6 minuti o per la durata del ciclo di raccolta, a seconda del più breve. Al termine del conteggio da parte del timer di scongelamento, termina il ciclo di scongelamento e comincia quello di congelamento successivo.

Le fasi 3., 4. e 5. vengono ripetute in sequenza finché il sensore nella vaschetta rileva la presenza di ghiaccio e spegne l'apparecchio.

Nota: qualora l'apparecchio non dovesse avviarsi o non dovesse completare un ciclo di funzionamento, rivolgersi al più vicino distributore Hoshizaki.

9. L'interruttore di controllo della vaschetta funziona correttamente?
10. L'utente ha avuto il manuale di istruzione? È stato istruito sul funzionamento dell'apparecchio? È stato informato dell'importanza della manutenzione periodica raccomandata?
11. L'utente ha avuto il nome e il numero di telefono di un centro servizi autorizzato?

9. CONTROLLI FINALI

1. L'apparecchio è in piano?
2. La temperatura ambiente del luogo in cui è situato l'apparecchio è compresa, tutto l'anno, tra i 7 °C e i 40 °C?
3. Ci sono almeno 15 cm di spazio intorno all'apparecchio per permettere eventuali interventi di manutenzione?
4. Sono stati tolti tutto il nastro adesivo, i cartoni e gli altri elementi di imballaggio dall'apparecchio? Le guide della cubettatrice sono in posizione corretta?
5. Sono stati effettuati tutti i collegamenti idrici ed elettrici?
6. Il voltaggio dell'alimentazione è quello indicato sulla targhetta?
7. Sono state installate la valvola di intercettazione e quella di scarico sul canale di alimentazione? La pressione dell'acqua è almeno di 0,7 bar e non superiore agli 8?

Nota: l'apparecchio potrebbe smettere di funzionare in mancanza d'acqua o qualora la pressione dell'acqua dovesse scendere sotto gli 0,7 bar. Al raggiungimento della normale pressione di alimentazione, l'apparecchio riprende automaticamente a funzionare.

8. È stata controllata la tenuta a vibrazioni e cedimenti dei supporti di ancoraggio del compressore e del condotto di refrigerazione?

BELANGRIJK

1. Voor een veilige en correcte installatie van het product moet eerst dit boekje zorgvuldig worden doorgelezen en moeten de daarin opgenomen instructies worden opgevolgd.
2. Start na installatie de ijsdispenser om op abnormaliteiten te controleren en geef de gebruiker instructies over het gebruik en onderhoud van de ijsdispenser in overeenstemming met de instructiehandleiding.
3. Dit boekje moet na de installatie overhandigd worden aan de gebruiker en moet door de gebruiker samen met de instructiehandleiding worden bewaard om later te kunnen worden geraadpleegd.

WAARSCHUWING

De installatie moet worden uitgevoerd door hiertoe bevoegd personeel, in overeenstemming met de geldende bepalingen en de instructies van de fabrikant.

1. UITPAKKEN**WAARSCHUWING**

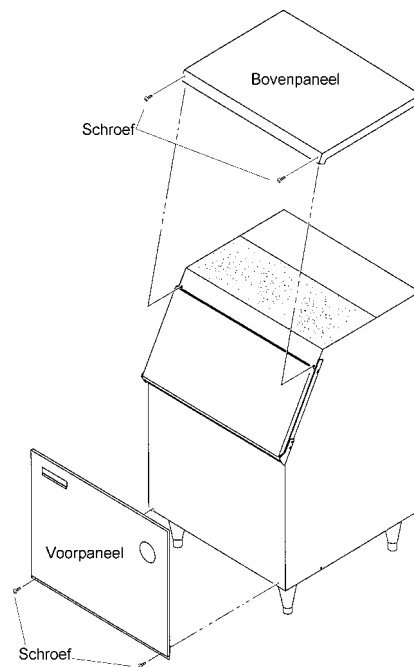
Kinderen moeten op veilige afstand van de verpakkingselementen worden gehouden, aangezien plastic zakken en expansiepolystyreen potentieel gevaarlijk zijn.

VOORZICHTIG

Verwijder alle kartonverpakking, plakband en andere emballage. Wanneer pakmateriaal in de cubelet-ijsdispenser achterblijft, zal het apparaat niet goed werken.

- 1) Nadat de verpakking is verwijderd, moet worden gecontroleerd of de ijsdispenser in goede staat verkeert. In geval van twijfel mag u het toestel niet gebruiken maar moet u de hulp inroepen van bevoegd personeel.
- 2) Verwijder de panelen om schade te voorkomen bij het installeren van de ijsdispenser. (Zie '2. HET VERWIJDEREN VAN DE PANELEN'.)
- 3) Haal de verpakking met de accessoires uit de opslagbak.
- 4) Verwijder de beschermende plastic laag van de panelen. Als de ijsdispenser is blootgesteld aan zon of warmte verwijder de beschermende laag dan als de ijsdispenser is afgekoeld.

- 5) Zorg ervoor dat de koelmiddelleidingen geen andere leidingen of oppervlakken raken en dat de ventilator onbelemmerd draait.
- 6) Zorg ervoor dat de compressor goed op alle montageblokken staat.
- 7) Controleer het naamplaatje op het achterpaneel en zorg ervoor dat de spanning van de netvoeding overeenkomt met de spanning op het naamplaatje.
- 8) Verwijder de tape waarmee de geleider voor de ijsblokjes vastzit.

2. HET VERWIJDEREN VAN DE PANELEN
- Zie Afb. 1**Afb. 1**

- a) Bovenpaneel Verwijder de twee schroeven en verwijder
- b) Voorpaneel Verwijder de twee schroeven, til op en naar u toe.

NEDERLANDS

3. LOCATIE

BELANGRIJK

1. Deze ijsdispenser is niet bedoeld voor gebruik buitenshuis. Tijdens normaal bedrijf ligt de omgevingstemperatuur tussen 7°C en 40°C en de watertemperatuur tussen 7°C en 35°C. Langdurig gebruik van de ijsdispenser buiten deze temperatuurgrenzen kan een nadelig effect op de productiecapaciteit hebben.
2. De ijsdispenser mag niet naast ovens, grills of andere warmteproducerende apparatuur worden geplaatst.
3. De locatie moet een vlakke en stevige ondergrond bieden aan het apparaat.
4. Houd voor een goede luchtcirculatie en makkelijk uit te voeren onderhouds- en servicebeurten een ruimte aan van 15 cm rondom het apparaat.
5. Dit apparaat is niet geschikt voor installatie in een ruimte waar een hogedrukreiniger wordt gebruikt of druisen niet is toegestaan.
6. Er mag niets voor het ventilatierooster worden geplaatst.
7. Deze ijsdispenser werkt niet in temperaturen beneden het vriespunt. Om schade aan de waterleiding te voorkomen, moet men de ijsdispenser leeg laten lopen als de luchttemperatuur tot beneden het vriespunt daalt.

4. INSTALLATIE

- De installatie moet worden uitgevoerd door bevoegd personeel, in overeenstemming met de huidige voorschriften en volgens de instructies van de fabrikant.
 - Door een onjuiste installatie kan schade worden berokkend aan mensen, dieren, de ijsdispenser en de plaats van de installatie, en de fabrikant stelt zich daarvoor niet aansprakelijk.
- 1) Pak de ijsdispenser uit en bevestig de vier stelpoten (optioneel) aan de onderkant van de opslagbak door de ijsdispenser aan de voorkant en dan aan de achterkant op te tillen (ZET DE IJSDISPENSER NOOIT ONDERSTEBOVEN).
 - 2) Zet de ijsdispenser op de geselecteerde permanente plaats.
 - 3) Zet de ijsdispenser waterpas, zowel van links naar rechts als van voren naar achteren, door de verstelpoten van de bak met een sleutel in te stellen
 - 4) Breng de panelen weer op de juiste plaats aan.

5. ELEKTRISCHE AANSLUITINGEN

WAARSCHUWING

DIT APPARAAT MOET WORDEN GEAARD

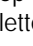
Deze cubelet-ijsdispenser vereist aarding die voldoet aan de landelijke en plaatselijke elektriciteitsvoorschriften. Om het persoonlijk gevaar van een zware elektrische schok en ernstige beschadiging van de apparatuur te voorkomen, moet een geschikte aardingsdraad aan de cubelet-ijsdispenser worden bevestigd. Haal de stekker uit het stopcontact voordat wordt begonnen met onderhouds-, reparatie- of schoonmaakwerk.

- Deze ijsdispenser moet worden aangesloten op een aparte voedingsbron of contactdoos van de juiste capaciteit. Zie het naamplaatje. Het wordt aanbevolen om de ijsdispenser niet op hetzelfde stroomcircuit als andere elektrische apparaten aan te sluiten.
- Doorgaans is een elektriciteitsvergunning vereist en moet gebruik worden gemaakt van de diensten van een bevoegde electricien.
- De draden in de voedingskabel zijn gekleurd volgens de volgende code:

groen & geel = aarde
blauw = nul
bruin = fase

- Indien de stopcontacten op de plaats van installatie niet geschikt zijn voor de bijgeleverde stekker, dan moet de stekker worden verwijderd (afsnijden waar sprake is van een gegoten model) en door een passende stekker worden vervangen.

Aangezien de kleuren van de draden in de voedingskabel van dit apparaat een andere kleur kunnen hebben dan de kleuridentificaties van de klemmen in uw stekker, moet als volgt te werk worden gegaan:

De geelgroene draad moet worden aangesloten op de klem in de stekker die is gemerkt met de letter E of het symbool  dan wel groen of groengeel is gekleurd. De blauwe draad moet worden aangesloten op de klem die is gemerkt met de letter N, of zwartgekleurd is. De bruine

draad moet worden aangesloten op de klem die is gemerkt met de letter L, of roodgekleurd is.

Een gegoten stekker die van het snoer is afgesneden, moet worden weggegooid en mag niet opnieuw worden gebruikt. Het elders aanbrengen van een dergelijke stekker in een stopcontact houdt een ernstig risico van elektrische schok in.

6. AANSLUITINGEN VOOR WATERTOEVOER EN -AFVOER - Zie Afb. 2

WAARSCHUWING

Om schade aan de pompinrichting te voorkomen, mag de ijsdispenser niet worden gebruikt als de waterleiding is afgesloten of als de druk minder is dan 0,7 bar. Stel de ijsdispenser pas in werking als de juiste waterdruk is bereikt.

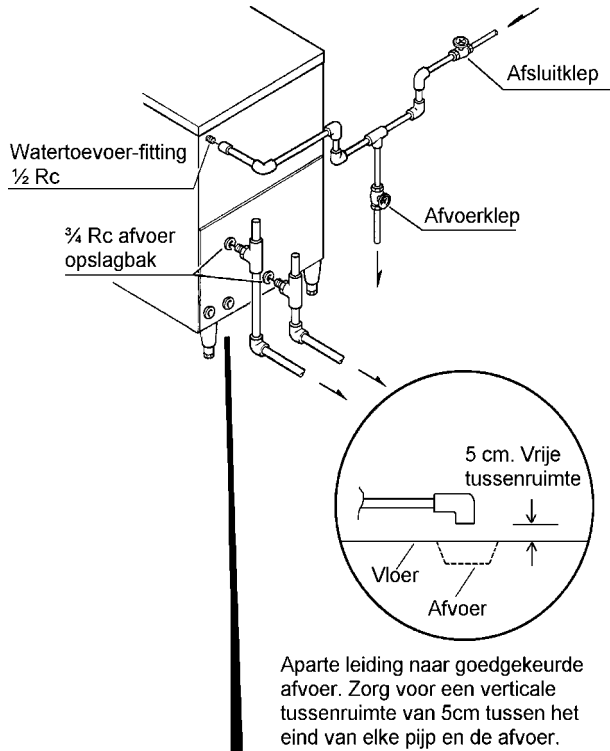
- Er mag uitsluitend drinkwater voor deze ijsdispenser worden gebruikt.
 - De aansluiting op de waterleiding moet door een bevoegde beroepspersoon worden gedaan.
 - De fitting van de watertoevoer is 1/2" FPT.
- N.B. Bij watergekoelde modellen zijn er twee toevoerleidingen voor het water. De een is voor de ijsdispenser en de ander is voor de watergekoelde condensor. Het aansluiten van drinkwater voor de condensor heeft geen invloed op de werking maar kan onnodig veel gebruik en verlies veroorzaken.
- Er moeten een afsluitklep en een afvoerklap in de waterleiding worden geïnstalleerd. Voor de afsluitklep is een kogelklep aanbevolen. Als er geen kogelklep wordt gebruikt, mag de opening daarvan niet kleiner zijn dan de binnendiameter van de waterleiding, aangezien dit een verminderde waterstroom kan veroorzaken, hetgeen kan leiden tot problemen bij ontdooien en vriezen. Voor de waterleiding wordt een koperen buis met een minimum buitendiameter van 13 mm. aanbevolen.
 - De druk van de waterleiding moet minimaal 0,7 bar en maximaal 8 bar zijn. Als de druk hoger is dan 8 bar, moet er een druk-verminderende klep worden gebruikt. Draai NIET de kraan een beetje dicht.
 - De afvoer van de opslagbak van de ijsdispenser heeft een 3/4 inch binnendraad. De afvoer voor het condensaat is een pijp met een binnendiameter van 10mm. De aansluitingen

voor de afvoer van de ijsdispenser en de condensor moeten apart blijven van de afvoer van de bak. De afvoer van de vergaarbak moet voldoende ontluicht zijn om voor een afdoende stroom te zorgen tijdens de oogstcyclus (zie Afb. 3).

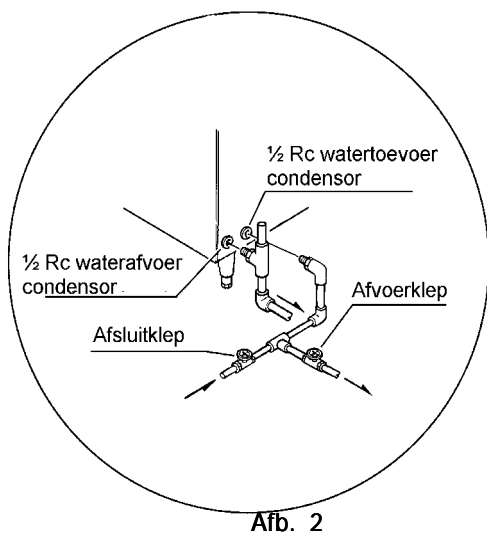
- Gebruik geen aansluitingen van het soldeertype aangezien de vrijkomende warmte schade tot gevolg kan hebben aan de interne aansluitingen in de ijsdispenser/bak.
- NB: Bij watergekoelde modellen wordt een 3/8 inch FPT geleverd voor de afvoer van de condensor.
- Voor een goede doorstroming moeten de horizontale delen van de afvoerleidingen een afloop hebben van 2 cm. per 30 cm.
 - De afvoerleidingen mogen niet direct op de riolering worden aangesloten. Er moet verticaal een tussenruimte van minimaal 5 cm. zijn tussen het eind van de afvoerpijp van de ijsdispenser of de opslagbak en de afvoer in de vloer (zie Afb. 3).
 - Deze ijsdispenser moet in overeenstemming met de nationale, provinciale en lokale voorschriften worden geïnstalleerd.
 - In sommige gebieden moet het koelwatercircuit beveiligd zijn tegen terugstromen.

NEDERLANDS

KM-150BAF-E



KM-150BWF-E



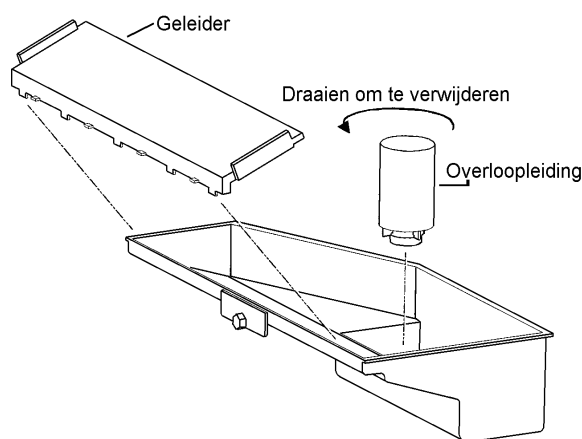
7. OPSTARTEN

WAARSCHUWING

- Deze ijsdispenser is ontworpen voor de productie van consumptie-ijs. Om de hygiëne van het apparaat op een hoog niveau te handhaven:
 - Was uw handen voordat u het ijs eruit haalt.
 - Gebruik de meegeleverde plastic lepel (accessoire).
 - De opslagbak mag uitsluitend voor ijs worden gebruikt. Gebruik hem niet voor iets anders.
 - Gebruik de ijsdispenser niet als u op blote voeten loopt.
 - Houd de lepel schoon. Maak hem schoon met een neutraal reinigingsmiddel en spoel hem grondig af.
 - Sluit de deur nadat er ijs is uitgehaald om te voorkomen dat er vuil, stof en insecten in de opslagbak komen.
- Gebruik van elektrische apparatuur brengt met zich mee dat bepaalde fundamentele regels in acht moeten worden genomen, met name:
 - Een hoge vochtigheidsgraad doet het risico van kortsluiting en elektrische schokken toenemen. Bij twijfel moet de stekker van de ijsdispenser eruit worden gehaald.
 - Trek nooit aan het snoer om de stekker van de ijsdispenser uit het stopcontact te halen.
 - Dit apparaat is niet geschikt voor gebruik zonder toezicht door jonge kinderen, bejaarden of gehandicapten.
- Alle onderdelen kennen een fabrieksinstelling. Verkeerd bijstellen kan leiden tot storing.
- Na uitschakeling moet tenminste 3 minuten worden gewacht voordat het apparaat weer in bedrijf kan worden genomen, ten einde beschadiging van de compressor te voorkomen.
- Gebruik het toestel nooit in de 'SPOEL' stand als er geen water in de tank zit aangezien dit schade aan de waterpompafdichting veroorzaakt.

- Open de afsluitklep van de waterleiding.
- Verwijder het voorpaneel.
- Zet de bedieningsschakelaar op het bedieningspaneel in de 'IJS'-stand.

- 4) Zet het voorpaneel weer op zijn plaats.
- 5) Zet de stroom aan en laat de watertank vollopen met water en laat de ijsdispenser in totaal 10 minuten draaien (zie 8 voor de volgorde van werking).
- 6) Zet de stroom uit en verwijder het voorpaneel en het onderpaneel.
- 7) Verwijder de geleider en de overloopleiding om de watertank leeg te laten lopen (zie Afb. 2).



Afb. 3

- 8) Breng de overloopleiding en de geleider weer op de juiste plaats aan.
- 9) Maak de opslagbak schoon.
- 10) Sluit de deur van de bak.
- 11) Zet de netvoeding aan en start het automatische ijsproductieproces.
- 12) Wacht totdat er een hele ijsproductie- en ontdooicyclus is voltooid.

CONTROLE VAN BAK

- 1) Open de deur van de bak.
- 2) Houd wat ijs tegen het controlelampje van de bak. De ijsdispenser moet nu binnen 6 á 10 seconden stoppen.
- 3) Sluit de deur van de bak.
- 4) Controleer of de ijsdispenser weer start.

8. WERKING

De volgorde van opstarten en werking kent de volgende stappen:

1) Vulcyclus van 1 minuut

Het toestel start altijd met een vulcyclus van een minuut. Als het toestel wordt aangezet, wordt de waterklep geactiveerd en begint de vulperiode. Na 1 minuut controleert het paneel of de vlotterchakelaar is gesloten. Als de vlotterchakelaar is gesloten, begint de oogstcyclus. Zoniet, dan wacht het toestel totdat er voldoende water in de vergaarbak zit. Als er niet voldoende water in de vergaarbak zit, treedt het toestel dus niet in werking. De waterklep blijft geactiveerd met extra vulcycli van 1 minuut totdat er voldoende water in de vergaarbak zit en de vlotterchakelaar sluit.

2) 1^{ste} oogstcyclus

De compressor start, de klep voor het hete gas opent, de waterkraan blijft open en de oogst begint. Bij het warmer worden van de afdampinstallatie controleert de thermistor die op de zuigleiding zit op een temperatuur van 9°C. Als de 9°C is bereikt, wordt de oogstcyclus verder bestuurd door de regelbare ontdooi-timer op het bedieningspaneel, die in de fabriek is ingesteld op normale omstandigheden. Met deze regelaar kan de ontdooi-timer worden ingesteld op 1 t/m 3 minuten.

3) Vriescyclus

Nadat de oogstcyclus is beëindigd door de timer, sluiten de kleppen voor het hete gas en het water en begint de ijsproductiecyclus. Gedurende de eerste 5 minuten accepteert het bedieningspaneel geen signaal van de vlotterchakelaar. Deze minimum vriesperiode van 5 minuten dient als beveiliging tegen korte cycli. Aan het eind van de 5 minuten neemt de vlotterchakelaar de bediening over. Naarmate er zich ijs ophoopt op de afdampinstallatie, daalt het peil in de vergaarbak. Het bevroren gaat door totdat de vlotterchakelaar opent en de ijsproductie wordt beëindigd.

4) Normale oogstcyclus

De waterklep opent zodat het water bij het oogsten kan helpen. Naarmate de afdampinstallatie op temperatuur komt, bereikt de thermistor 9°C. Het bedieningspaneel ontvangt het signaal van de thermistor en start de ontdooi-timer. De waterklep is tijdens de

NEDERLANDS

oogst (ontdooien) maximaal 6 minuten, of voor de duur van de oogst (en wel de kortste van de twee), open. Als de ontdooi-timer klaar is met aftellen, is de ontdooicyclus voltooid en begint de volgende vriescyclus.

Het toestel vervolgt de procedure van 3), 4) en 5) totdat in de bak ijs wordt waargenomen en het toestel automatisch afslaat.

N.B.: Als de ijsdispenser geen cyclus begint of afmaakt, vraag dan uw dichtstbijzijnde Hoshizaki dealer om hulp.

9. EINDCONTROLE

- 1) Staat de ijsdispenser waterpas?
- 2) Staat de ijsdispenser op een plaats waar de omgevingstemperatuur het hele jaar door tussen de 7°C en de 40°C blijft?
- 3) Is er minimaal 15 cm vrije ruimte rond de ijsdispenser voor onderhoud en reparatie?
- 4) Is de ijsdispenser ontdaan van alle tape, verpakking en karton: zitten de geleiders voor de ijsblokjes op de juiste plaats?
- 5) Zijn alle kabels en leidingen op de juiste manier aangesloten?
- 6) Klopt de spanning van de netvoeding met de gegevens op het naamplaatje?
- 7) Zijn de afsluitklep en de afvoerleiding aangebracht op de waterleiding? Is de druk van de waterleiding gecontroleerd op een minimum van 0,7 bar en een maximum van 8 bar?

N.B.: De ijsdispenser kan stoppen met draaien als de waterleiding is afgesloten, of als de druk minder is dan 0,7 bar. De ijsdispenser gaat weer draaien zodra de vereiste waterdruk is bereikt.

- 8) Zijn de ankerbouten en koelmiddellijnen gecontroleerd op trilling en mogelijke defecten?
- 9) Is gecontroleerd of de controleschakelaar van de bak goed werkt?
- 10) Heeft de eindgebruiker de instructiehandleiding ontvangen en is hij geïnstrueerd in het gebruik van de ijsdispenser en het belang van het aanbevolen periodieke onderhoud?
- 11) Heeft de eindgebruiker de naam en het telefoonnummer ontvangen van een geautoriseerd onderhoudsbedrijf?