

SEARS
Parts & Repair Services

**REPAIR
PARTS
LIST**

**790.45582902
790.45589902**

**For Parts or Service:
Call**

**1-800-4-MY-HOME®
(1-800-469-4663)**

**Or Visit
www.sears.com**



30-INCH DROP-IN ELECTRIC RANGE

In all orders or correspondence, avoid delays and misunderstandings by always giving the complete model number shown on the nameplate. The nameplate is located on the left side of the range and is visible when the oven door is open.

All repair parts listed are available for immediate purchase or special order when you visit your nearest Sears Parts & Repair Center, or the Service Department at most Sears stores. To order parts by phone, call the toll-free number listed to the left or visit sears.com.

When requesting service or ordering parts, always provide the following information:

- Product Type
- Part Number
- Model Number
- Part Description

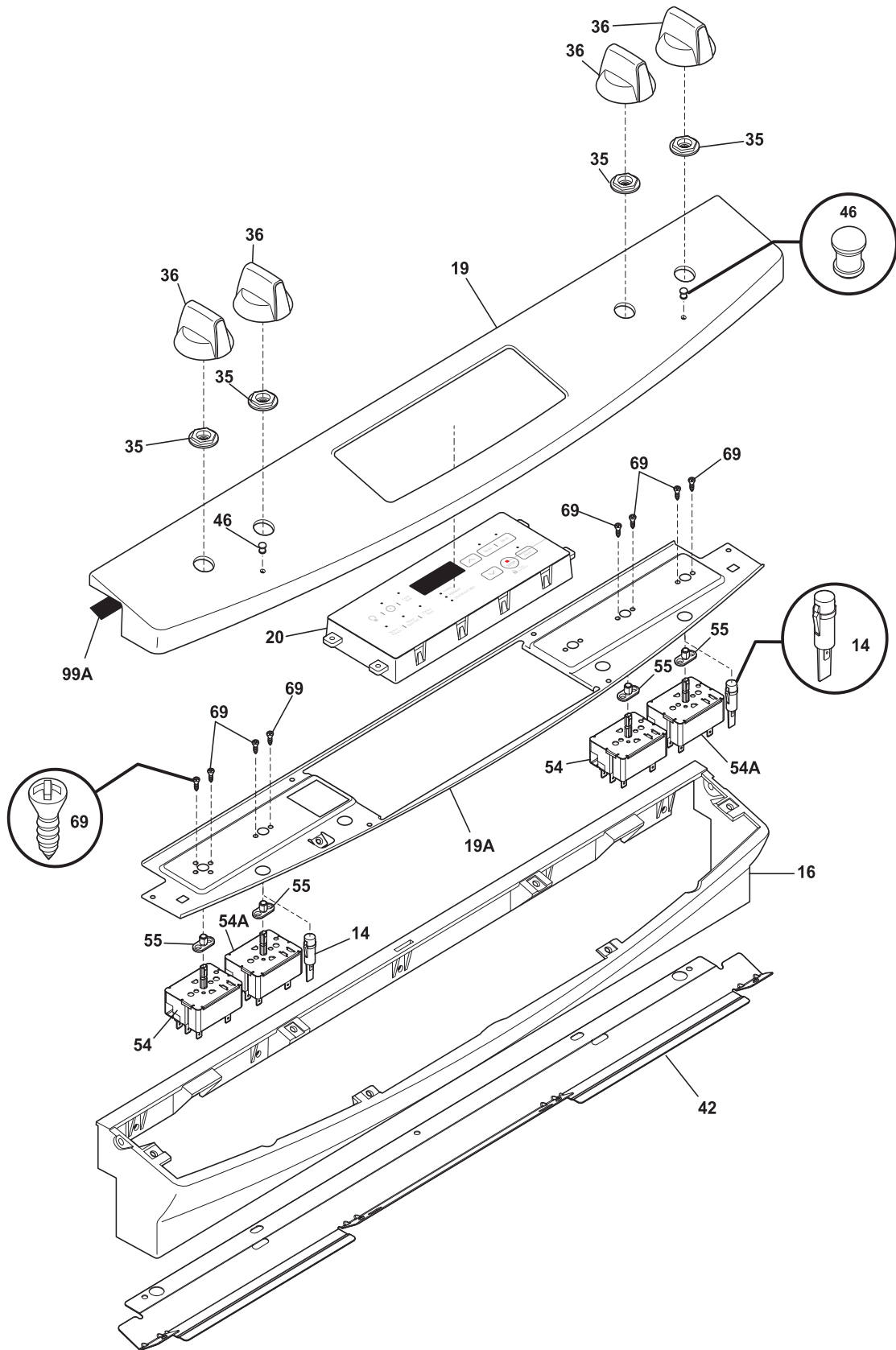
Sears Brands Management Corporation, Hoffman Estates, IL 60179

Publication number 5995584157

790.4558

BACKGUARD

CAUTION: Use the Kenmore part number to order part, not the illustration number.



C79046762901

790.4558

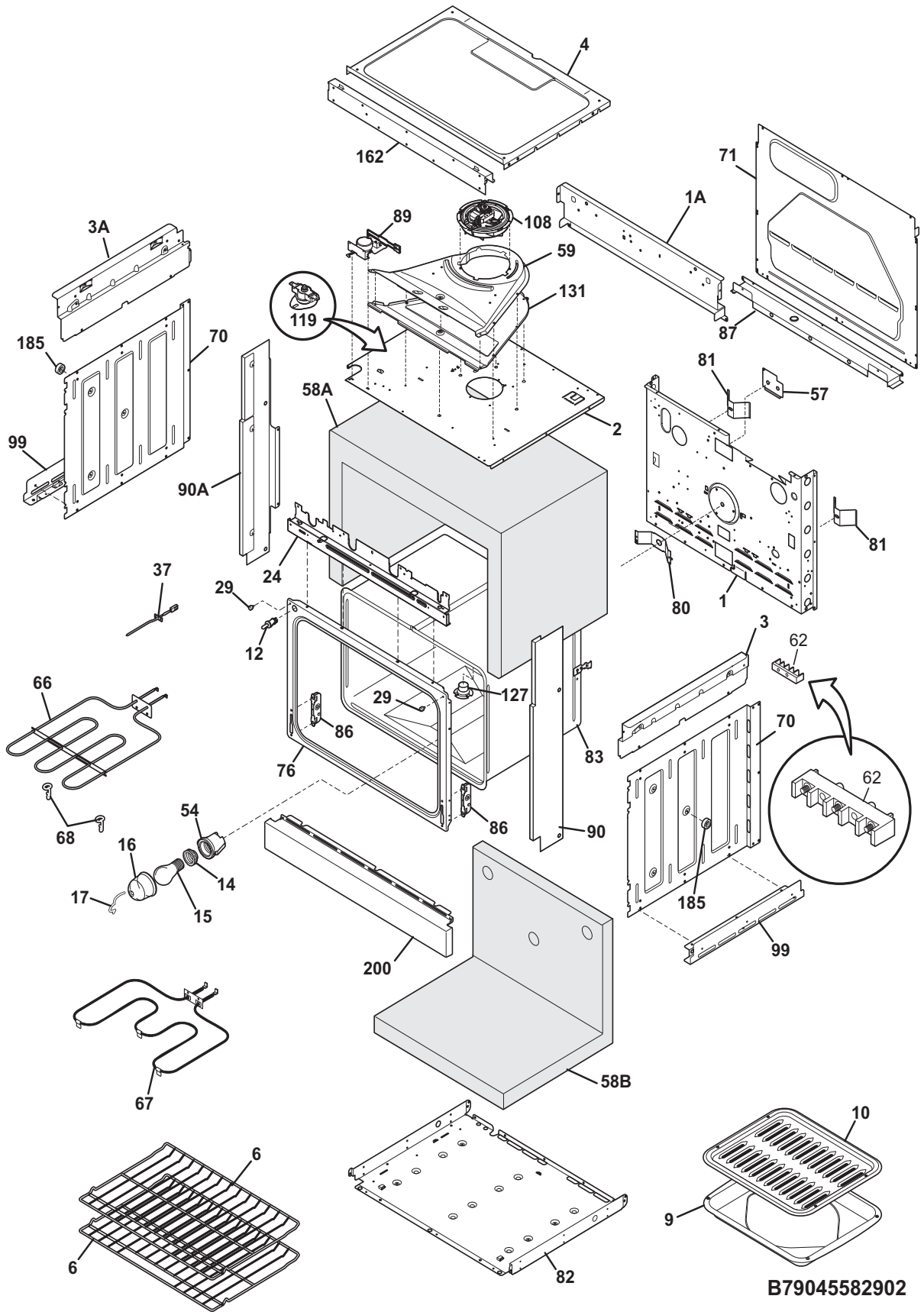
BACKGUARDCAUTION: Use the Kenmore part number to order part, not the illustration number.

| POS. NO | PART NO. | | DESCRIPTION |
|---------|------------|---------------------|--|
| | | <i>Model Index:</i> | A 790.4558 (790.45582902) |
| | | | B 790.4558 (790.45589902) |
| 14 # | 318293901 | A B | Light, indicator, 125v, (2) |
| 16 | 318296600 | A - | Console, assy., white |
| 16 | 318296602 | - B | Console, assy., black |
| 16* | 5304447071 | A B | Clip, console, (2) |
| 19 | 318297520 | A - | Panel, control, white |
| 19 | 318297521 | - B | Panel, control, black |
| 19A | 318289715 | A B | Panel, control mtg. |
| 20 # | 318296812 | A - | Clock/Timer, electronic, ES335, white, w/overlay |
| 20 # | 318296814 | - B | Clock/Timer, electronic, ES335, black, w/overlay |
| 20* | 318214518 | A - | Overlay, control, white, ES335 |
| 20* | 318214517 | - B | Overlay, control, black, ES335 |
| 20* | 5304453707 | A B | Screw, 8-18 X 1/2 |
| 35 | 318183101 | A - | Support, glass, white, (4) |
| 35 | 318183100 | - B | Support, glass, black |
| 36 | 318921137 | A - | Knob, control, white, single |
| 36 | 318921138 | - B | Knob, control, black, single |
| 42 | 318574701 | A B | Support, control panel, black |
| * | 5303211311 | A B | Screw, 8-18 x 0.500 |
| * | 5304436875 | A B | Screw, 8-18 X 1/2, black, (3) |
| 46 | 318228301 | A B | Lens, indicator light |
| 54 # | 318293830 | A B | Switch, infinite, (2) |
| 54A# | 318293831 | A B | Switch, surface element, large |
| 55 | 318402901 | A B | Bushing, switch |
| 69 | 5304480396 | A B | Screw, 8-32 x 3/8", (4) |
| 99A | 318313201 | A B | Gasket, black |
| * # | 318228877 | A B | Harness, wiring, main, backguard |
| * # | 318224876 | A B | Harness, wiring, timer |
| * | 5995584157 | A B | Repair Parts List |
| * | 318205808 | A B | Owners Manual |
| * | 318127081 | A B | Service Data Sheet |
| * | 318550141 | A B | Wiring Diagram |
| * | 318201618 | A B | Instructions, installation |
| * | 5303300265 | A B | Screw, 8-18 X 1/2, (4) |
| * | 5303323136 | A B | Screw ground |

790.4558

BODY

CAUTION: Use the Kenmore part number to order part, not the illustration number.



B79045582902

790.4558

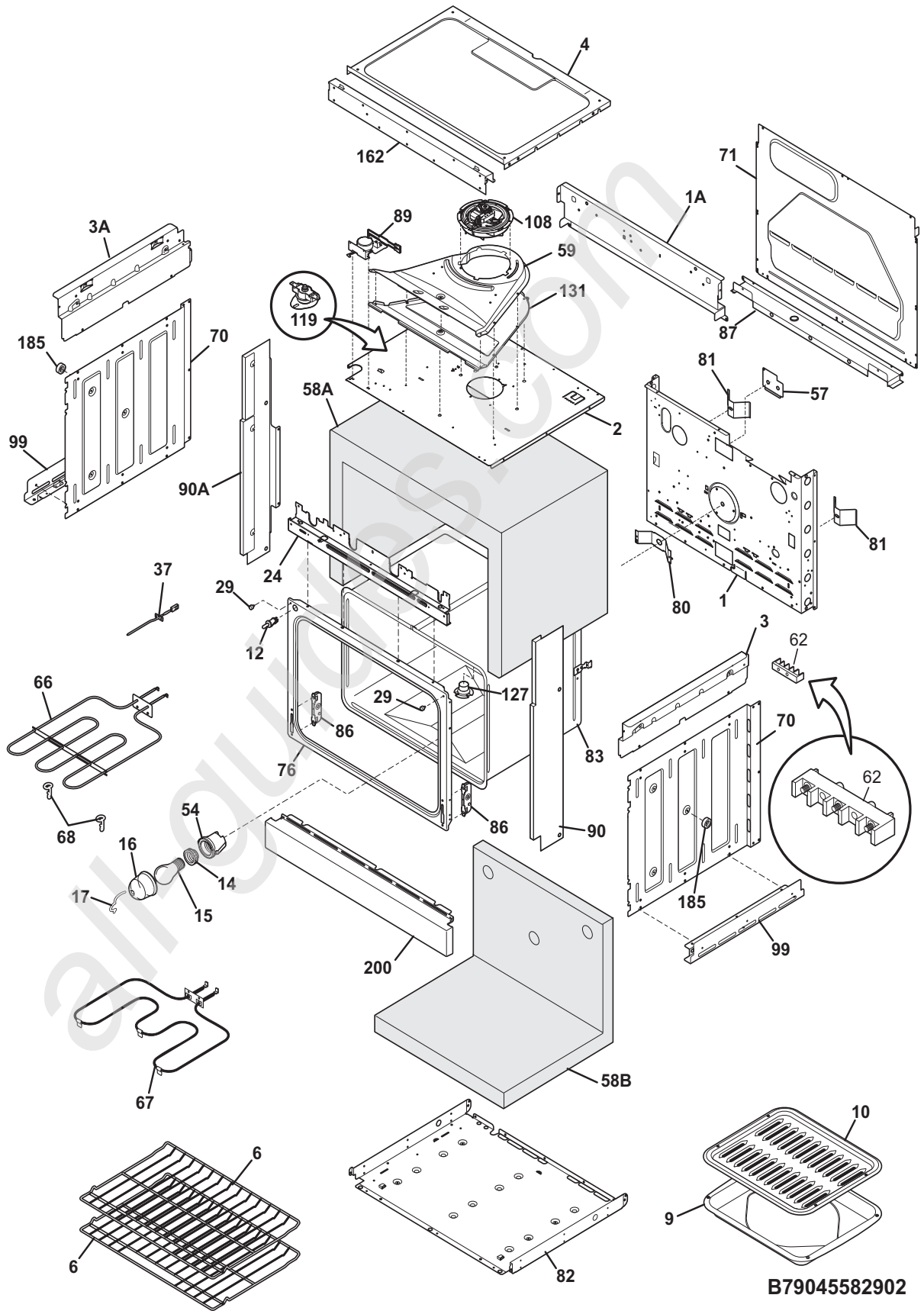
BODYCAUTION: Use the Kenmore part number to order part, not the illustration number.

| POS. NO | PART NO. | DESCRIPTION |
|---------|---------------------|--|
| | <i>Model Index:</i> | A 790.4558 (790.45582902) B 790.4558 (790.45589902) |
| 1 | 318259220 | A B Back, main |
| 1A | 318225110 | A B Panel, main back, upper |
| 1A* | 5304458612 | A B Screw, 8-32 x 1-1/4, (4) |
| * | 5303324184 | A B Screw, 8-18 x 5/16, black |
| 2 | 318570500 | A B Panel, insulation, top |
| 3 | 318225210 | A B Panel, bodyside, upper RH |
| 3A | 318225211 | A B Panel, bodyside, upper LH |
| 4 | 318073908 | A B Panel, subtop |
| 6 | 318262504 | A B Rack, oven |
| 9 | 5303317977 | A B Pan, broiler OPTIONAL ACCESSORY |
| 10 | 5303317976 | A B Insert, broiler pan OPTIONAL ACCESSORY |
| 12 | 316445501 | A B Switch, oven light, door frame |
| 14 | 318224000 | A B Receptacle, oven light |
| * | 318368501 | A B Seal, housing, flat washer |
| 15 | 316538901 | A B Lamp, oven light |
| 16 | 318406100 | A B Lens, oven light, glass |
| 17 | 5304400195 | A B Retainer, light cover |
| 24 | 318913116 | A B Trim, vent, black, upper |
| 29 | 316517600 | A B Spacer, oven door |
| 37 # | 318562500 | A B Sensor, oven temp probe |
| 54 | 318222400 | A B Housing, oven light |
| * | 5304415832 | A B Screw, 8-18 x 0.406 |
| 57 | 318402800 | A B Plate, cover |
| 58A | 318386113 | A B Insulation, oven wrapper |
| 58B | 318133791 | A B Insulation, oven back, back/bottom |
| 59 | 318570600 | A B Duct, cooling fan |
| 59* | 318579001 | A B Bracket, wire |
| 62 | 5303935061 | A B Terminal Block Kit |
| 62* | 5303323136 | A B Screw ground |
| 62* | 5303323139 | A B Screw, 10-24 x 0.906 |
| 62* | 5303323144 | A B Nut, 10-32 |
| 66 # | 318255600 | A B Element, broil, 2750W |
| 67 # | 318255401 | A B Element, bake, 3400W |
| 68 | 5304403015 | A B Support, hanger, broil element |
| 70 | 318259105 | A B Shield, insulation, sides, (2) |
| 71 | 318260007 | A B Panel, rear box |
| 76 | 318056292 | A B Front, oven |
| 80 | 5303320846 | A B Plate, oven mtg |
| 81 | 318192400 | A B Spring, oven |
| * | 5303323129 | A B Screw, 8 X 0.750 |
| 82 | 318258765 | A B Shield, insulation, lower |
| 83 | 318261446 | A B Liner, oven assy |
| 86 | 318561100 | A B Receptacle, hinge, (2) |
| 86* | 5304461333 | A B Screw, 10-32 x 17/32 |
| 87 | 318260622 | A B Bracket, cable mtg. |
| 89 # | 318261221 | A B Motor, latch assy |
| * | 5304417153 | A B Screw, shoulder, 8-18 X 1/2, (4) |
| 90 | 318296922 | A - Panel, filler, white, RH |
| 90 | 318296924 | - B Panel, filler, black, RH |

790.4558

BODY

CAUTION: Use the Kenmore part number to order part, not the illustration number.



B79045582902

790.4558

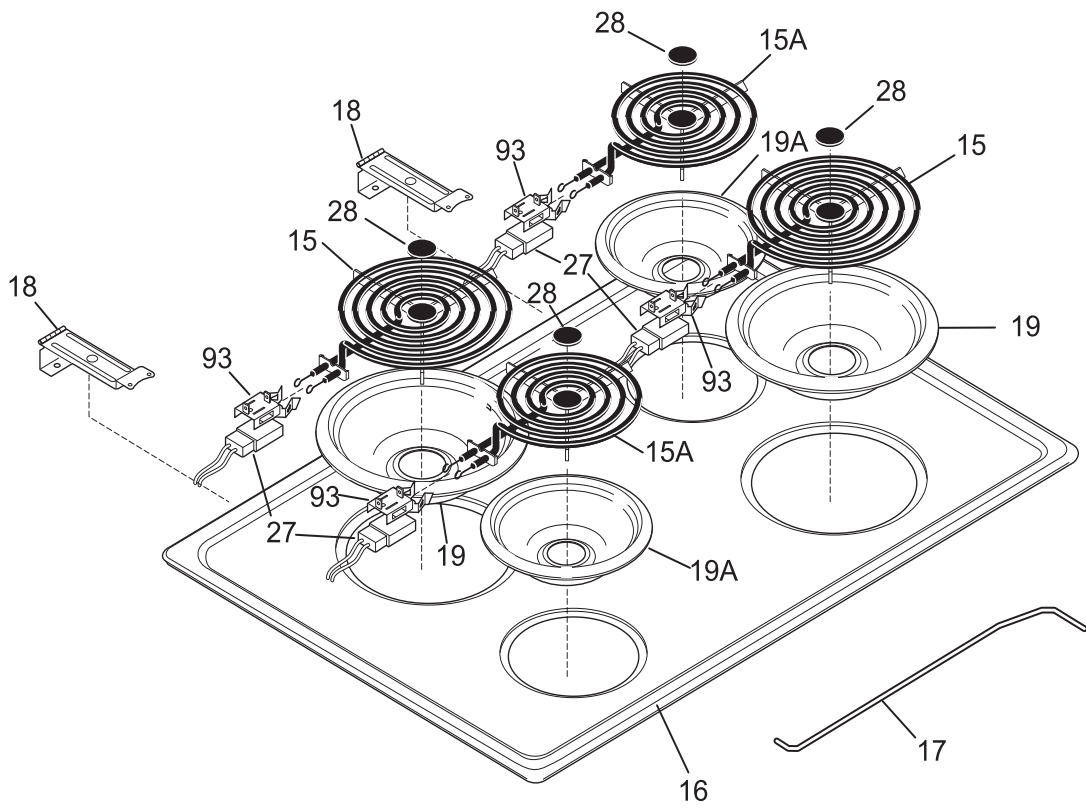
BODYCAUTION: Use the Kenmore part number to order part, not the illustration number.

| POS. NO | PART NO. | | DESCRIPTION |
|---------|------------|---|--|
| | | <i>Model Index:</i> A 790.4558 (790.45582902) | |
| | | B 790.4558 (790.45589902) | |
| 90A | 318296923 | A - | Panel, filler, white, LH |
| 90A | 318296925 | - B | Panel, filler, black, LH |
| 99 | 318256201 | A B | Bracket, side, bottom, (2) |
| 108# | 318575600 | A B | Motor, cooling fan |
| 119# | 318578506 | A B | Thermostat, cooling fan, 105 deg. |
| 127 | 318317105 | A B | Adapter Assembly, vent tube, w/converter |
| 131 | 318574800 | A B | Bottom, cooling duct |
| 162 | 318225820 | A B | Box, extension |
| 185 | 318165800 | A B | Spacer |
| 200 | 318330001 | A - | Trim, door opening, white, bottom |
| 200 | 318330003 | - B | Trim, door opening, black, bottom |
| * # | 318394445 | A B | Box & wires assy |
| * # | 318384494 | A B | Wiring Harness, main |
| * | 5304400192 | A B | Retainer, wiring |
| * | 3051050 | A B | Screw, shoulder |
| * | 5303211311 | A B | Screw, 8-18 x 0.500 |
| * | 5304436875 | A B | Screw, 8-18 X 1/2, black, (3) |

790.4558

MAIN TOP

CAUTION: Use the Kenmore part number to order part, not the illustration number.



LA20CT0050

790.4558

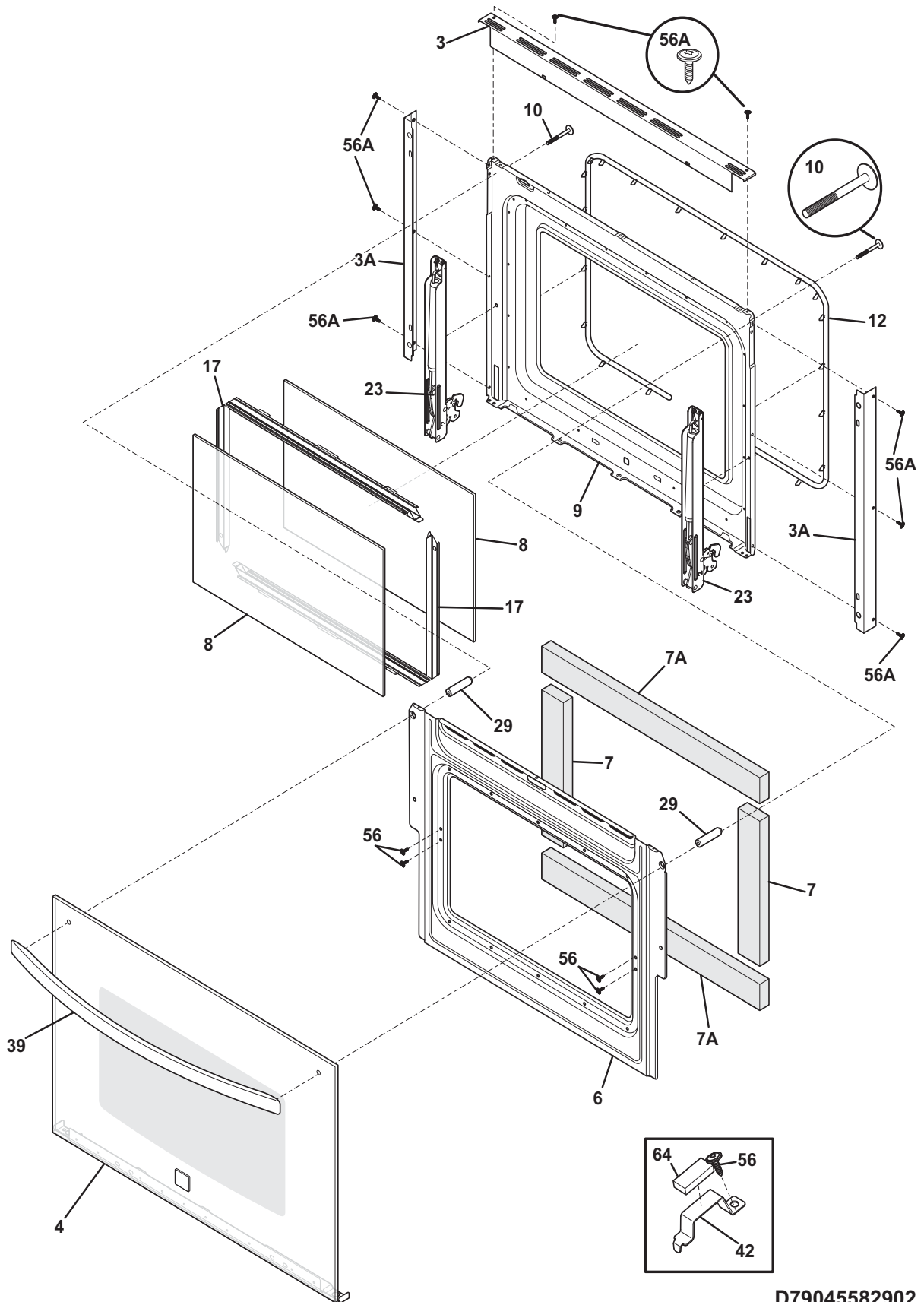
MAIN TOPCAUTION: Use the Kenmore part number to order part, not the illustration number.

| POS. NO | PART NO. | | DESCRIPTION |
|---------|------------|---|---|
| | | <i>Model Index:</i> A 790.4558 (790.45582902) | |
| | | B 790.4558 (790.45589902) | |
| 15 # | 318372214 | A B | Element, surface, 8", large |
| 15A# | 318372211 | A B | Element, surface, 6", small |
| 16 | 318225607 | A - | Main Top, white |
| 16 | 318225606 | - B | Main Top, black |
| 17 | 3051554 | A B | Rod, support, main top panel |
| 18 | 318227710 | A B | Hinge, maintop, (2) |
| 19 | 318067079 | A - | Pan, surface element, large, gray |
| 19 | 318067050 | - B | Pan, surface element, large, black |
| 19A | 318067080 | A - | Pan, surface element, small, gray |
| 19A | 318067040 | - B | Pan, surface element, small, black |
| 27 # | 5303912666 | A B | Terminal Block Kit, surface element |
| 28 | 5303017715 | A B | Medallion, 1 1/2" dia, black, surface element |
| 93 | 318366410 | A B | Support, terminal block, (4) |
| 93* | 5303323130 | A B | Screw, 8 x 1/4, (4) |
| * # | 318301003 | A B | Wiring Harness, surface units |
| * # | 318532147 | A B | Ground wire, w/terminal |
| * | 5303131766 | A B | Screw, 6-32 x 0.375, top trim |
| * | 5303305528 | A B | Screw, 8-32 x 1/4 |
| * | 5303311306 | A B | Screw, 8-18 x 0.375, (4) |
| * | 5304454881 | A B | Screw, #8-18 x 3/8, (10) |

790.4558

DOOR

CAUTION: Use the Kenmore part number to order part, not the illustration number.



D79045582902

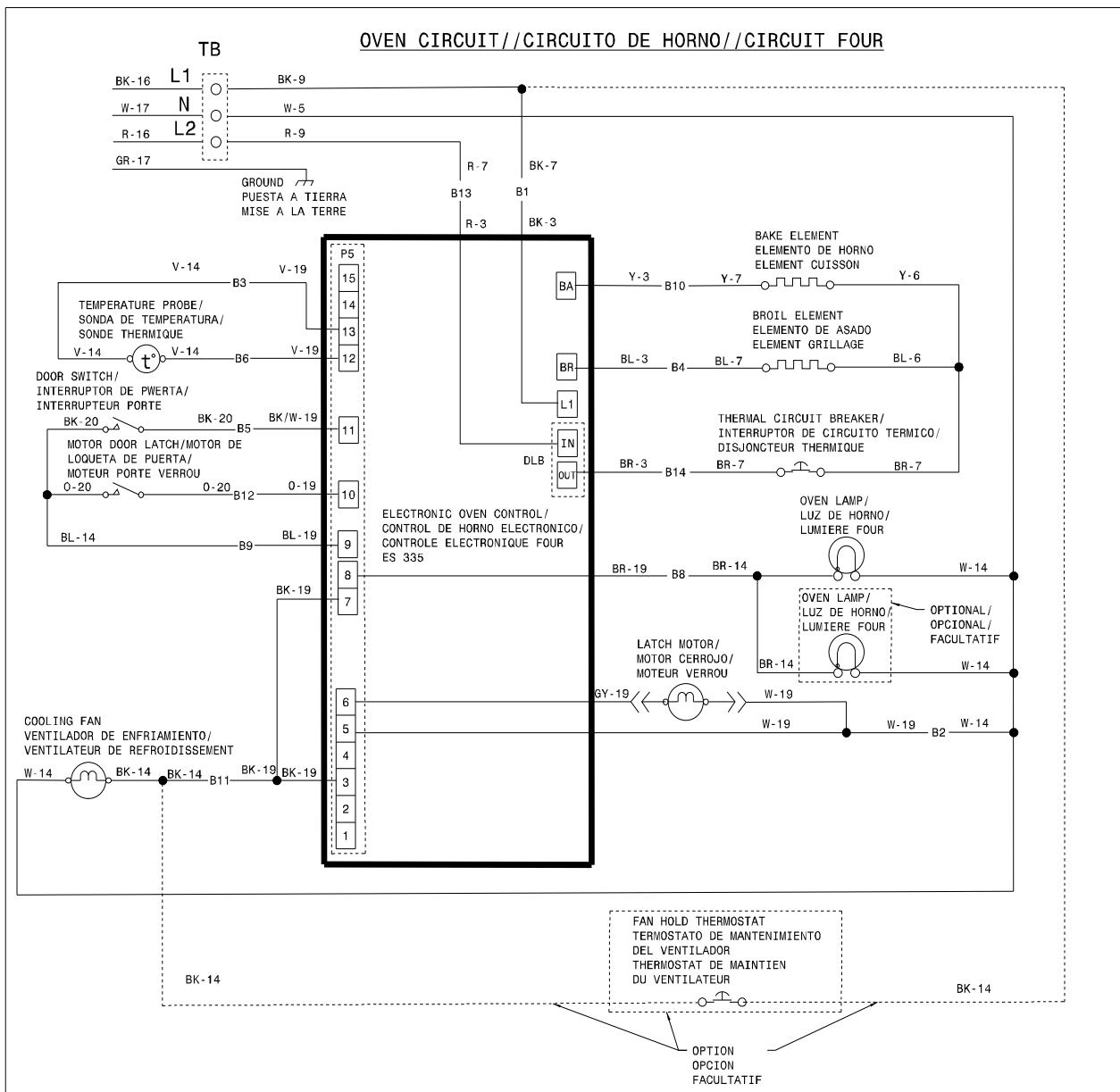
790.4558

DOORCAUTION: Use the Kenmore part number to order part, not the illustration number.

| POS. NO | PART NO. | | DESCRIPTION |
|---------|------------|---|--|
| | | <i>Model Index:</i> A 790.4558 (790.45582902) | |
| | | B 790.4558 (790.45589902) | |
| 3 | 318260201 | A B | Trim, oven door, black, upper |
| 3A | 318260401 | A B | Trim, oven door, side, (2) |
| 4 | 318403502 | A - | Glass Assy., oven door, white, outer, w/trim & badge |
| 4 | 318304124 | - B | Glass Assy., oven door, black, upper, w/trim & badge |
| 6 | 318260527 | A B | Baffle, door, lower |
| 7 | 318372000 | A B | Insulation, 13.25 X 2.375, 1" thick, (2) |
| 7A | 318372002 | A B | Insulation, 24 x 2.375, 1" thick, (2) |
| 8 | 316117502 | A B | Glass, oven door, heat barrier |
| 9 | 318411650 | A B | Liner, oven door |
| 10 | 5304416408 | A B | Screw, 10-24 x 1.750 |
| 12 | 318053132 | A B | Gasket, oven door seal |
| 17 | 318264715 | A B | Spacer, glass, (2) |
| 23 | 318567113 | A B | Hinge, oven door, (2) |
| 29 | 318014405 | A B | Spacer, door |
| 39 | 318372416 | A - | Handle, door, white, w/spacer |
| 39 | 318372417 | - B | Handle, door, black, w/spacer |
| 42 | 318382301 | A B | Bracket, glass retainer, (4) |
| 56 | 5304436875 | A B | Screw, 8-18 X 1/2, black, (3) |
| 56A | 5304476599 | A B | Screw, 8-18 x 3/8 |
| 64 | 318165800 | A B | Spacer |
| * | 316221000 | A B | Label, anti-tip |
| * | 5304461333 | A B | Screw, 10-32 x 17/32 |

790.4558

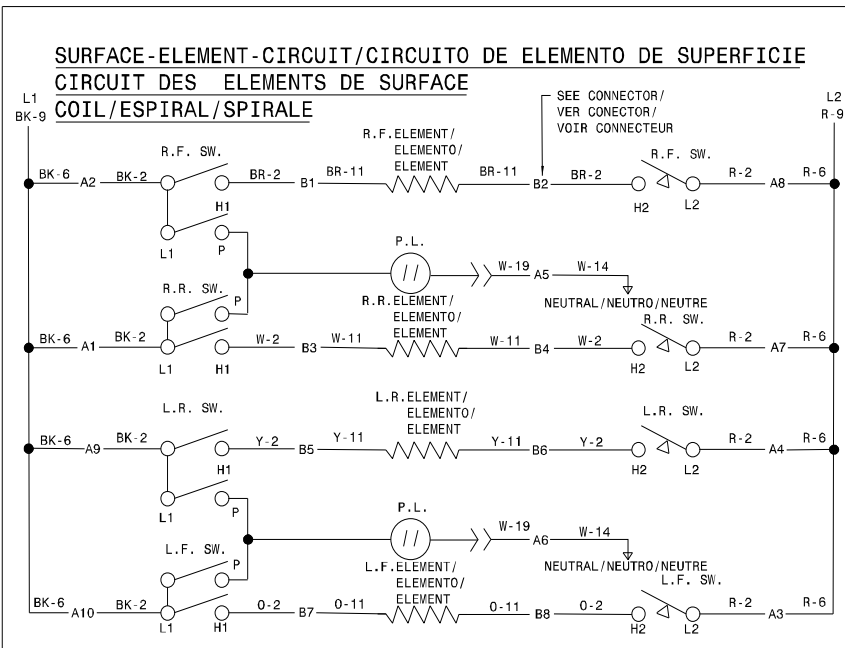
WIRING DIAGRAM



| <p>NOTE/NOTA/NOTE: COMPONENTS SHOWN ARE NOT NECESSARILY USED ON ALL MODELS. ESTOS COMPONENTES NO DEBEN DE APARECER EN TODOS LOS MODELOS. LES COMPOSANTES MONTREES NE SONT PAS NECESSAIREMENT UTILISEES SUR TOUS LES MODELES.</p> | <p>COLORS/CODIGOS DE COLORES/ CODE COULEUR</p> <p>BK. -BLACK/NEGRO/NOIR G. -GREEN/VERDE/VERT W. -WHITE/BLANCO/BLANC R. -RED/ROJO/ROUGE O. -ORANGE/NARANJA/ORANGE Y. -YELLOW/AMARILLO/JAUNE BR. -BROWN/MORENO/BRUN BL. -BLUE/AZUL/BLEU GY. -GRAY/GRIS/GRIS</p> | <p>CONNECTOR/ CONECTOR/ CONNECTEUR</p> <p>A</p> <p>B</p> | <table border="1"> <thead> <tr> <th>CODE CODIGO</th> <th>GAUGE MEDIDA</th> <th>TEMP. °C</th> <th>CSA</th> <th>UL</th> </tr> </thead> <tbody> <tr><td>1</td><td>18</td><td>125</td><td>CL1251</td><td>3173</td></tr> <tr><td>2</td><td>16</td><td>125</td><td>CL1251</td><td>3173</td></tr> <tr><td>3</td><td>14</td><td>125</td><td>CL1251</td><td>3173</td></tr> <tr><td>4</td><td>12</td><td>125</td><td>CL1251</td><td>3173</td></tr> <tr><td>5</td><td>18</td><td>150</td><td>EXL-150</td><td>3321</td></tr> <tr><td>6</td><td>16</td><td>150</td><td>EXL-150</td><td>3321</td></tr> <tr><td>7</td><td>14</td><td>150</td><td>EXL-150</td><td>3321</td></tr> <tr><td>8</td><td>12</td><td>150</td><td>EXL-150</td><td>3321</td></tr> <tr><td>9</td><td>10</td><td>150</td><td>EXL-150</td><td>3321</td></tr> <tr><td>10</td><td>18</td><td>200</td><td>SEW-1</td><td>3122</td></tr> <tr><td>11</td><td>16</td><td>200</td><td>SEW-1</td><td>3122</td></tr> <tr><td>12</td><td>12</td><td>250</td><td></td><td>3252</td></tr> <tr><td>13</td><td>16</td><td>250</td><td></td><td>3252</td></tr> <tr><td>14</td><td>20</td><td>150</td><td>EXL-150</td><td>3321</td></tr> <tr><td>15</td><td>8</td><td>150</td><td>EXL-150</td><td>3321</td></tr> <tr><td>16</td><td>8</td><td>60</td><td></td><td></td></tr> <tr><td>17</td><td>10</td><td>60</td><td></td><td></td></tr> <tr><td>18</td><td>10</td><td>200</td><td>SEW-1</td><td>3122</td></tr> <tr><td>19</td><td>20</td><td>125</td><td>CL1251</td><td>3173</td></tr> <tr><td>20</td><td>20</td><td>200</td><td>SEW-1</td><td>3122</td></tr> <tr><td>39</td><td>14</td><td>200</td><td>SEW-1</td><td>3122</td></tr> </tbody> </table> | CODE CODIGO | GAUGE MEDIDA | TEMP. °C | CSA | UL | 1 | 18 | 125 | CL1251 | 3173 | 2 | 16 | 125 | CL1251 | 3173 | 3 | 14 | 125 | CL1251 | 3173 | 4 | 12 | 125 | CL1251 | 3173 | 5 | 18 | 150 | EXL-150 | 3321 | 6 | 16 | 150 | EXL-150 | 3321 | 7 | 14 | 150 | EXL-150 | 3321 | 8 | 12 | 150 | EXL-150 | 3321 | 9 | 10 | 150 | EXL-150 | 3321 | 10 | 18 | 200 | SEW-1 | 3122 | 11 | 16 | 200 | SEW-1 | 3122 | 12 | 12 | 250 | | 3252 | 13 | 16 | 250 | | 3252 | 14 | 20 | 150 | EXL-150 | 3321 | 15 | 8 | 150 | EXL-150 | 3321 | 16 | 8 | 60 | | | 17 | 10 | 60 | | | 18 | 10 | 200 | SEW-1 | 3122 | 19 | 20 | 125 | CL1251 | 3173 | 20 | 20 | 200 | SEW-1 | 3122 | 39 | 14 | 200 | SEW-1 | 3122 |
|---|--|---|---|-------------|--------------|----------|-----|----|---|----|-----|--------|------|---|----|-----|--------|------|---|----|-----|--------|------|---|----|-----|--------|------|---|----|-----|---------|------|---|----|-----|---------|------|---|----|-----|---------|------|---|----|-----|---------|------|---|----|-----|---------|------|----|----|-----|-------|------|----|----|-----|-------|------|----|----|-----|--|------|----|----|-----|--|------|----|----|-----|---------|------|----|---|-----|---------|------|----|---|----|--|--|----|----|----|--|--|----|----|-----|-------|------|----|----|-----|--------|------|----|----|-----|-------|------|----|----|-----|-------|------|
| CODE CODIGO | GAUGE MEDIDA | TEMP. °C | CSA | UL | | | | | | | | | | | | | | | | | | | | | | | | | | | | | | | | | | | | | | | | | | | | | | | | | | | | | | | | | | | | | | | | | | | | | | | | | | | | | | | | | | | | | | | | | | | | | | | | | | | | | | | | | | | | | |
| 1 | 18 | 125 | CL1251 | 3173 | | | | | | | | | | | | | | | | | | | | | | | | | | | | | | | | | | | | | | | | | | | | | | | | | | | | | | | | | | | | | | | | | | | | | | | | | | | | | | | | | | | | | | | | | | | | | | | | | | | | | | | | | | | | | |
| 2 | 16 | 125 | CL1251 | 3173 | | | | | | | | | | | | | | | | | | | | | | | | | | | | | | | | | | | | | | | | | | | | | | | | | | | | | | | | | | | | | | | | | | | | | | | | | | | | | | | | | | | | | | | | | | | | | | | | | | | | | | | | | | | | | |
| 3 | 14 | 125 | CL1251 | 3173 | | | | | | | | | | | | | | | | | | | | | | | | | | | | | | | | | | | | | | | | | | | | | | | | | | | | | | | | | | | | | | | | | | | | | | | | | | | | | | | | | | | | | | | | | | | | | | | | | | | | | | | | | | | | | |
| 4 | 12 | 125 | CL1251 | 3173 | | | | | | | | | | | | | | | | | | | | | | | | | | | | | | | | | | | | | | | | | | | | | | | | | | | | | | | | | | | | | | | | | | | | | | | | | | | | | | | | | | | | | | | | | | | | | | | | | | | | | | | | | | | | | |
| 5 | 18 | 150 | EXL-150 | 3321 | | | | | | | | | | | | | | | | | | | | | | | | | | | | | | | | | | | | | | | | | | | | | | | | | | | | | | | | | | | | | | | | | | | | | | | | | | | | | | | | | | | | | | | | | | | | | | | | | | | | | | | | | | | | | |
| 6 | 16 | 150 | EXL-150 | 3321 | | | | | | | | | | | | | | | | | | | | | | | | | | | | | | | | | | | | | | | | | | | | | | | | | | | | | | | | | | | | | | | | | | | | | | | | | | | | | | | | | | | | | | | | | | | | | | | | | | | | | | | | | | | | | |
| 7 | 14 | 150 | EXL-150 | 3321 | | | | | | | | | | | | | | | | | | | | | | | | | | | | | | | | | | | | | | | | | | | | | | | | | | | | | | | | | | | | | | | | | | | | | | | | | | | | | | | | | | | | | | | | | | | | | | | | | | | | | | | | | | | | | |
| 8 | 12 | 150 | EXL-150 | 3321 | | | | | | | | | | | | | | | | | | | | | | | | | | | | | | | | | | | | | | | | | | | | | | | | | | | | | | | | | | | | | | | | | | | | | | | | | | | | | | | | | | | | | | | | | | | | | | | | | | | | | | | | | | | | | |
| 9 | 10 | 150 | EXL-150 | 3321 | | | | | | | | | | | | | | | | | | | | | | | | | | | | | | | | | | | | | | | | | | | | | | | | | | | | | | | | | | | | | | | | | | | | | | | | | | | | | | | | | | | | | | | | | | | | | | | | | | | | | | | | | | | | | |
| 10 | 18 | 200 | SEW-1 | 3122 | | | | | | | | | | | | | | | | | | | | | | | | | | | | | | | | | | | | | | | | | | | | | | | | | | | | | | | | | | | | | | | | | | | | | | | | | | | | | | | | | | | | | | | | | | | | | | | | | | | | | | | | | | | | | |
| 11 | 16 | 200 | SEW-1 | 3122 | | | | | | | | | | | | | | | | | | | | | | | | | | | | | | | | | | | | | | | | | | | | | | | | | | | | | | | | | | | | | | | | | | | | | | | | | | | | | | | | | | | | | | | | | | | | | | | | | | | | | | | | | | | | | |
| 12 | 12 | 250 | | 3252 | | | | | | | | | | | | | | | | | | | | | | | | | | | | | | | | | | | | | | | | | | | | | | | | | | | | | | | | | | | | | | | | | | | | | | | | | | | | | | | | | | | | | | | | | | | | | | | | | | | | | | | | | | | | | |
| 13 | 16 | 250 | | 3252 | | | | | | | | | | | | | | | | | | | | | | | | | | | | | | | | | | | | | | | | | | | | | | | | | | | | | | | | | | | | | | | | | | | | | | | | | | | | | | | | | | | | | | | | | | | | | | | | | | | | | | | | | | | | | |
| 14 | 20 | 150 | EXL-150 | 3321 | | | | | | | | | | | | | | | | | | | | | | | | | | | | | | | | | | | | | | | | | | | | | | | | | | | | | | | | | | | | | | | | | | | | | | | | | | | | | | | | | | | | | | | | | | | | | | | | | | | | | | | | | | | | | |
| 15 | 8 | 150 | EXL-150 | 3321 | | | | | | | | | | | | | | | | | | | | | | | | | | | | | | | | | | | | | | | | | | | | | | | | | | | | | | | | | | | | | | | | | | | | | | | | | | | | | | | | | | | | | | | | | | | | | | | | | | | | | | | | | | | | | |
| 16 | 8 | 60 | | | | | | | | | | | | | | | | | | | | | | | | | | | | | | | | | | | | | | | | | | | | | | | | | | | | | | | | | | | | | | | | | | | | | | | | | | | | | | | | | | | | | | | | | | | | | | | | | | | | | | | | | | | | | | | |
| 17 | 10 | 60 | | | | | | | | | | | | | | | | | | | | | | | | | | | | | | | | | | | | | | | | | | | | | | | | | | | | | | | | | | | | | | | | | | | | | | | | | | | | | | | | | | | | | | | | | | | | | | | | | | | | | | | | | | | | | | | |
| 18 | 10 | 200 | SEW-1 | 3122 | | | | | | | | | | | | | | | | | | | | | | | | | | | | | | | | | | | | | | | | | | | | | | | | | | | | | | | | | | | | | | | | | | | | | | | | | | | | | | | | | | | | | | | | | | | | | | | | | | | | | | | | | | | | | |
| 19 | 20 | 125 | CL1251 | 3173 | | | | | | | | | | | | | | | | | | | | | | | | | | | | | | | | | | | | | | | | | | | | | | | | | | | | | | | | | | | | | | | | | | | | | | | | | | | | | | | | | | | | | | | | | | | | | | | | | | | | | | | | | | | | | |
| 20 | 20 | 200 | SEW-1 | 3122 | | | | | | | | | | | | | | | | | | | | | | | | | | | | | | | | | | | | | | | | | | | | | | | | | | | | | | | | | | | | | | | | | | | | | | | | | | | | | | | | | | | | | | | | | | | | | | | | | | | | | | | | | | | | | |
| 39 | 14 | 200 | SEW-1 | 3122 | | | | | | | | | | | | | | | | | | | | | | | | | | | | | | | | | | | | | | | | | | | | | | | | | | | | | | | | | | | | | | | | | | | | | | | | | | | | | | | | | | | | | | | | | | | | | | | | | | | | | | | | | | | | | |
| <p>CAUTION: DISCONNECT POWER BEFORE SERVICING UNIT. LABEL ALL WIRES PRIOR TO DISCONNECTION WHEN SERVICING CONTROLS. WIRINGS ERRORS CAN CAUSE IMPROPER AND DANGEROUS OPERATION. VERIFY PROPER OPERATION AFTER SERVICING.</p> <p>ATENCIÓN: CORTAR LA CORRIENTE ANTES DE REALIZAR EL MANTENIMIENTO DEL ELECTRODOMESTICO. ETIQUETE TODOS LOS CABLES ANTES DE DESCONECTAR CUANDO HAGA EL SERVICIO A LOS CONTROLES. ERRORES AL VOLVER A ENSAMBLAR LOS CABLES PUEDE CAUSAR FALLAS U OPERACIONES PELIGROSAS. VERIFIQUE LA CORRECTA OPERACION DESPUES DEL SERVICIO.</p> <p>ATTENTION: COUPEZ L'ALIMENTATION AVANT D'EFFECTUER LA REPARATION. IDENTIFIEZ TOUS LES FILS AVANT DE LES DEBRANCHER QUAND L'APPAREIL EST HORS SERVICE. LES ERREURS DE CONNEXION DE FILS PEUVENT CAUSER UN MAL FONCTIONNEMENT ET UN DANGER D'USAGE DE L'APPAREIL. VERIFIEZ LE BON FONCTIONNEMENT DE L'APPAREIL APRES LE SERVICE.</p> | | | <p>318550141 REV. C PAGE: 1/2</p> | | | | | | | | | | | | | | | | | | | | | | | | | | | | | | | | | | | | | | | | | | | | | | | | | | | | | | | | | | | | | | | | | | | | | | | | | | | | | | | | | | | | | | | | | | | | | | | | | | | | | | | | | | | | | | |

790.4558

WIRING DIAGRAM



LEGEND/LEYENDA/LEGENDE

SW. - SWITCH
 INTERRUPTOR
 INTERRUPTEUR

P.L. - PILOT LIGHT
 LAMPARA PILOTO
 LAUPE TEMOIN

R.F. - RIGHT FRONT
 FRENTE DERECHO
 AVANT DROIT

R.R. - RIGHT REAR
 TRASERO DERECHO
 ARRIERE DROIT

L.F. - LEFT FRONT
 FRENTE IZQUIERDO
 AVANT GAUCHE

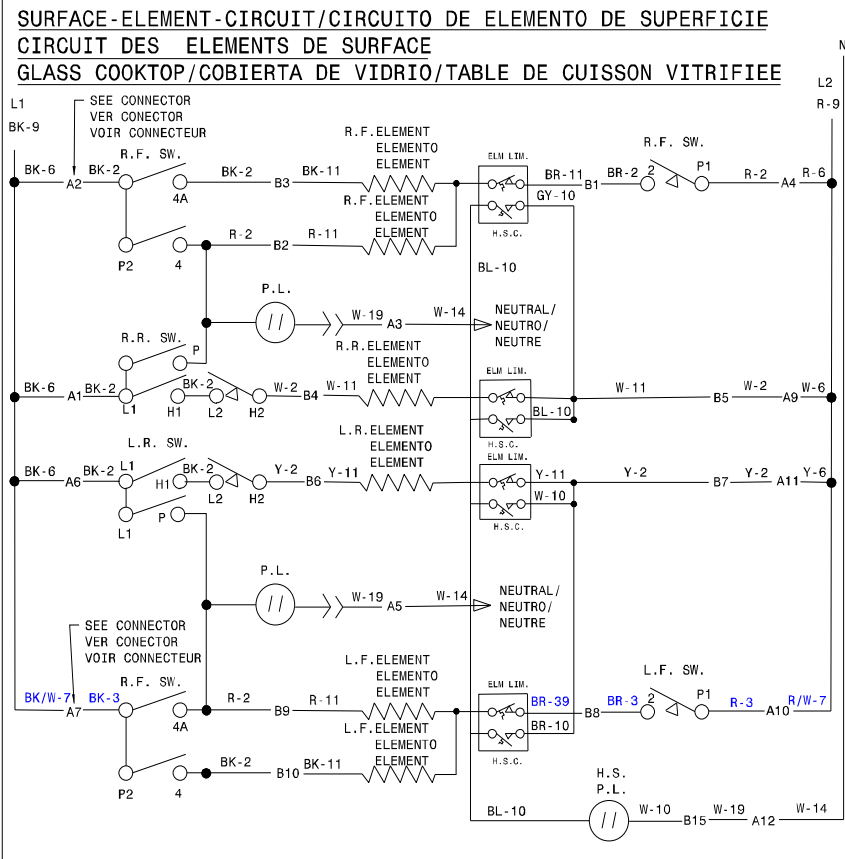
L.R. - LEFT REAR
 TRASERO IZQUIERDO
 ARRIERE GAUCHE

H.S. - HOT SURFACE
 SUPERFICIE CALIENTE
 SURFACE CHAUDE

LIM. - LIMITER/LIMITADOR/LIMITEUR

COLOR CODE/CODIGOS DE COLORES/COLE DE COULEUR

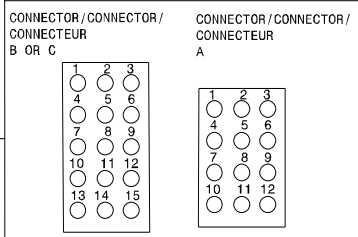
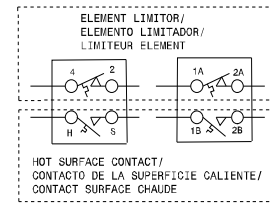
BK. - BLACK/NEGRO/NOIR
 G. - GREEN/VERDE/VERT
 W. - WHITE/BLANCO/BLANC
 R. - RED/ROJO/ROUGE
 O. - ORANGE/MARANJA/ORANGE
 Y. - YELLOW/AMARILLO/JAUNE
 BR. - BROWN/CAFE/BRUN
 BL. - BLUE/AZUL/BLEU
 GY. - GRAY/GRIS/GRIS



| WIRE ALAMBRE FIL | GAUGE MEDIDA CALIBRE | TEMP. °C | CSA | UL |
|------------------|----------------------|----------|---------|------|
| 1 | 18 | 125 | CL1251 | 3173 |
| 2 | 16 | 125 | CL1251 | 3173 |
| 3 | 14 | 125 | CL1251 | 3173 |
| 4 | 12 | 125 | CL1251 | 3173 |
| 5 | 18 | 150 | EXL-150 | 3321 |
| 6 | 16 | 150 | EXL-150 | 3321 |
| 7 | 14 | 150 | EXL-150 | 3321 |
| 8 | 12 | 150 | EXL-150 | 3321 |
| 9 | 10 | 150 | EXL-150 | 3321 |
| 10 | 18 | 200 | SEW-1 | 3122 |
| 11 | 16 | 200 | SEW-1 | 3122 |
| 12 | 12 | 250 | | 3252 |
| 13 | 16 | 250 | | 3252 |
| 14 | 20 | 150 | EXL-150 | 3321 |
| 15 | 8 | 150 | EXL-150 | 3321 |
| 16 | 8 | 60 | | |
| 17 | 10 | 60 | | |
| 18 | 10 | 200 | SEW-1 | 3122 |
| 19 | 20 | 125 | CL1251 | 3173 |

LIMITER/LIMITOR/LIMITEUR
 E. G. O. / A. K. O.

LIMITER/LIMITOR/LIMITEUR
 CERAMASPEED/EIKA



CAUTION: DISCONNECT POWER BEFORE SERVICING UNIT.
 LABEL ALL WIRES PRIOR TO DISCONNECTION WHEN SERVICING CONTROLS.
 WIRING ERRORS CAN CAUSE IMPROPER AND DANGEROUS OPERATION.
 VERIFY PROPER OPERATION AFTER SERVICING.

ATENCIÓN: CORTAR LA CORRIENTE ANTES DE REALIZAR EL MANTENIMIENTO DEL ELECTRODOMESTICO.
 ETIQUETE TODOS LOS CABLES ANTES DE DESCONECTAR CUANDO HAGA EL SERVICIO A LOS CONTROLES.
 ERRORES AL VOLVER A ENSAMBLAR LOS CABLES PUEDE CAUSAR FALLAS U OPERACIONES PELIGROSAS.
 VERIFIQUE LA CORRECTA OPERACION DESPUES DEL SERVICIO.

ATTENTION: COUPEZ L'ALIMENTATION AVANT D'EFFECTUER LA REPARATION.
 IDENTIFIEZ TOUS LES FILS AVANT DE LES DEBRANCHER QUAND L'APPAREIL EST HORS SERVICE.
 LES ERREURS DE CONNECTION DE FILS PLEUVENT CAUSER UN MAL FONCTIONNEMENT ET UN DANGER D'USAGE DE L'APPAREIL.
 VERIFIEZ LE BON FONCTIONNEMENT DE L'APPAREIL APRES LE SERVICE.

318550141 REV.C
 PAGE: 2/2

Get it fixed, at your home or ours!

Your Home

For troubleshooting, product manuals and home solutions advice:

manage my home

www.managemyhome.com

For repair – **in your home** – of **all** major brand appliances, lawn and garden equipment, or heating and cooling systems, **no matter who made it, no matter who sold it!**

For the replacement parts, accessories and owner's manuals that you need to do-it-yourself.

For Sears professional installation of home appliances and items like garage door openers and water heaters.

1-800-4-MY-HOME[®] (1-800-469-4663)

Call anytime, day or night (U.S.A. and Canada)

www.sears.com www.sears.ca

Our Home

For repair of carry-in items like vacuums, lawn equipment, and electronics, call anytime for the location of your nearest

Sears Parts & Repair Service Center

1-800-488-1222 (U.S.A.) **1-800-469-4663** (Canada)

www.sears.com

www.sears.ca

To purchase a protection agreement on a product serviced by Sears:

1-800-827-6655 (U.S.A.)

1-800-361-6665 (Canada)

Para pedir servicio de reparación a domicilio, y para ordenar piezas:

1-888-SU-HOGAR[®]

(1-888-784-6427)

www.sears.com

Au Canada pour service en français:

1-800-LE-FOYER^{MC}

(1-800-533-6937)

www.sears.ca

Sears

© Registered Trademark / TM Trademark of KCD IP, LLC in the United States, or Sears Brands, LLC in other countries

© Marca Registrada / TM Marca de Fábrica de KCD IP, LLC en Estados Unidos, o Sears Brands, LLC in otros países

^{MC} Marque de commerce / ^{MD} Marque déposée de Sears Brands, LLC