

SANYO

INSTRUCTION MANUAL

Recordable DVD Home Theatre System

DVR-HT120

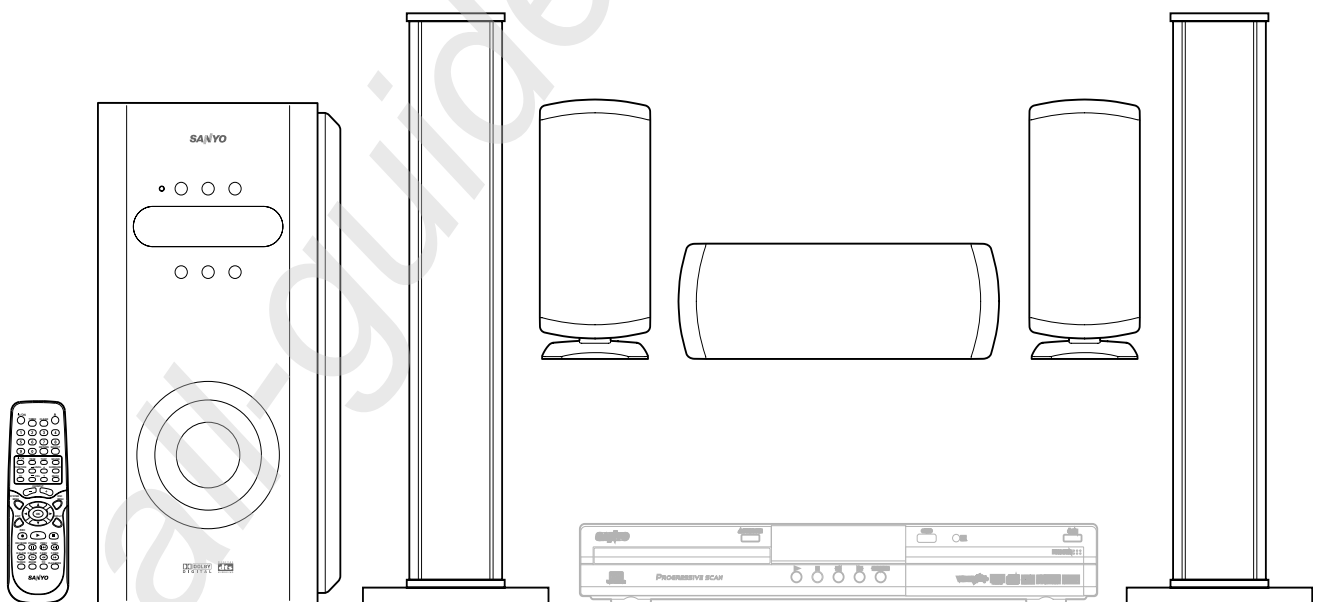
DVD recorder: DVR-S120

Powered subwoofer: ASX-HT120W

Front speakers: SX-HT120F

Centre speaker: SX-HT120C

Rear speakers: SX-HT120R



Problems with set-up?

Call 0870 240 7475

DOLBY
DIGITAL

DIGITAL
dts
SURROUND

Calls cost a maximum of 8p per minute during peak periods, based on BT rates of April 2004

PRECAUTIONS

- The apparatus shall not be exposed to dripping or splashing.
- No objects filled with liquids, such as vases, shall be placed on the apparatus.
- Do not use where there are extremes of temperature (below 5°C or exceeding 35°C) or where direct sunlight may strike it.
- Because of the DVD recorder's extremely low noise and wide dynamic range, there might be a tendency to set the volume on the amplifier unnecessarily high. Doing so may produce an excessively large output from the amplifier which could damage your speakers.
- Do not install this equipment in a confined space, such as a book case or built in cabinet.
- The powered subwoofer (ASX-HT120W) must be placed in a well ventilated area.

Do not place any object on the top of the unit.

Do not block ventilation holes.

The cabinet of the unit warms up when it is used for a long time, but it is not a malfunction.

Either the main unit or remote control can be operated. However, for convenience, this instruction manual explains operation using the remote control.

Note:

This handling description is printed prior to product development.

When a part of the product specification must be changed to improve operability or other functions, priority is given to the product specification itself. In such instances, the instruction manual may not entirely match all the functions of the actual product.

Therefore, the actual product and packaging, as well as the name and illustration, may differ from the manual.

ACCESSORIES

Mains lead x 1

Speaker lead x 5

IMPORTANT


If the plug supplied with this equipment is not suitable for the socket outlets in your home it should be cut off and replaced with the correct type.

Disposal of Plug

If the non rewirable plug is to be cut off, the removed plug should be disposed of carefully as there is a shock hazard should the plug be inserted into a live socket.

Replacing Fuse

The detachable fuse cover must be replaced after changing the fuse.

Only a 3A fuse should be used and should comply with BS1362 and should carry the ASTA mark .

The wires in the mains lead are coloured in accordance with the following code;

Blue	Neutral
Brown	Live

The wires in the mains lead must be connected to the terminals in the plug as follows;

Wire colour	Plug terminal marking
Blue	N or Black or Blue
Brown	L or Red or Brown

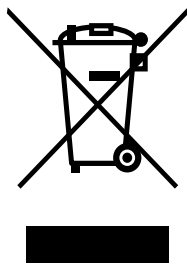
Do not connect either wire to the earth terminal.

If the mains plug contains a fuse this should be 3A, if a plug without a fuse is used the distribution board fuse should not be greater than 5A.

Disconnect the mains plug from the supply socket when not in use.

Do not remove the back cover with mains connected.

This set complies with the EMC Directive 89/336 and with the LVD Directive 73/23.



Your SANYO product is designed and manufactured with high quality materials and components which can be recycled and reused.

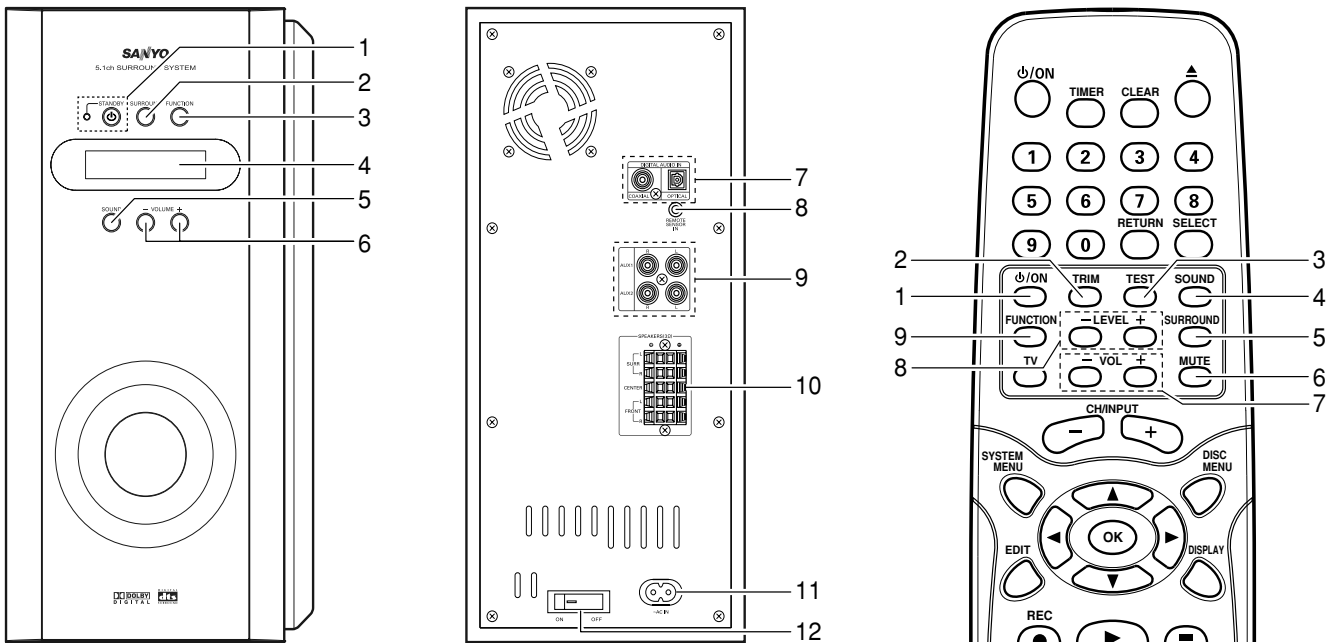
This symbol means that electrical and electronic equipment, at their end-of-life, should be disposed of separately from your household waste.

Please dispose of this equipment at your local community waste collection/recycling centre.

In the European Union there are separate collection systems for used electrical and electronic products.

Please help us to conserve the environment we live in!

CONTROLS



1. Standby button and indicator (STANDBY) (⏻)
2. Surround button (SURROUND)
3. Function button (FUNCTION)
4. Display
5. Sound button (SOUND)
6. Volume buttons (- VOLUME +)
7. Coaxial and Optical digital audio input sockets (COAXIAL, OPTICAL DIGITAL AUDIO IN)
8. IR signal input socket (REMOTE SENSOR IN)
9. Auxiliary input sockets (AUX1/AUX2)
10. Speakers sockets (SPEAKERS)
11. Mains input socket (AC IN)
12. Primary power switch (ON/OFF)

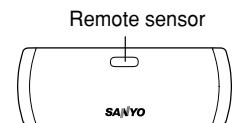
Remote control

Amplifier (Powered subwoofer) controls

1. Power button (⏻/ON)
2. Trim button (TRIM)
3. Test tone button (TEST)
4. Sound button (SOUND)
5. Surround button (SURROUND)
6. Mute button (MUTE)
7. Volume buttons (- VOL +)
8. Level buttons (- LEVEL +)
9. Function button (FUNCTION)

Note:

If the remote control does not work properly during operating the amplifier controls, aim the remote control at the remote sensor window on the centre speaker.



CONNECTIONS

Note:

- Do not connect the mains lead to an AC outlet until all connections have been made.
- Please refer to the instruction manuals for the equipments that you are connecting (DVD recorder, TV, VCR, etc.).
- When you connect the unit to your TV and other equipment, be sure to turn off the power and disconnect all of the equipments from the AC outlet until all the connections have been made.

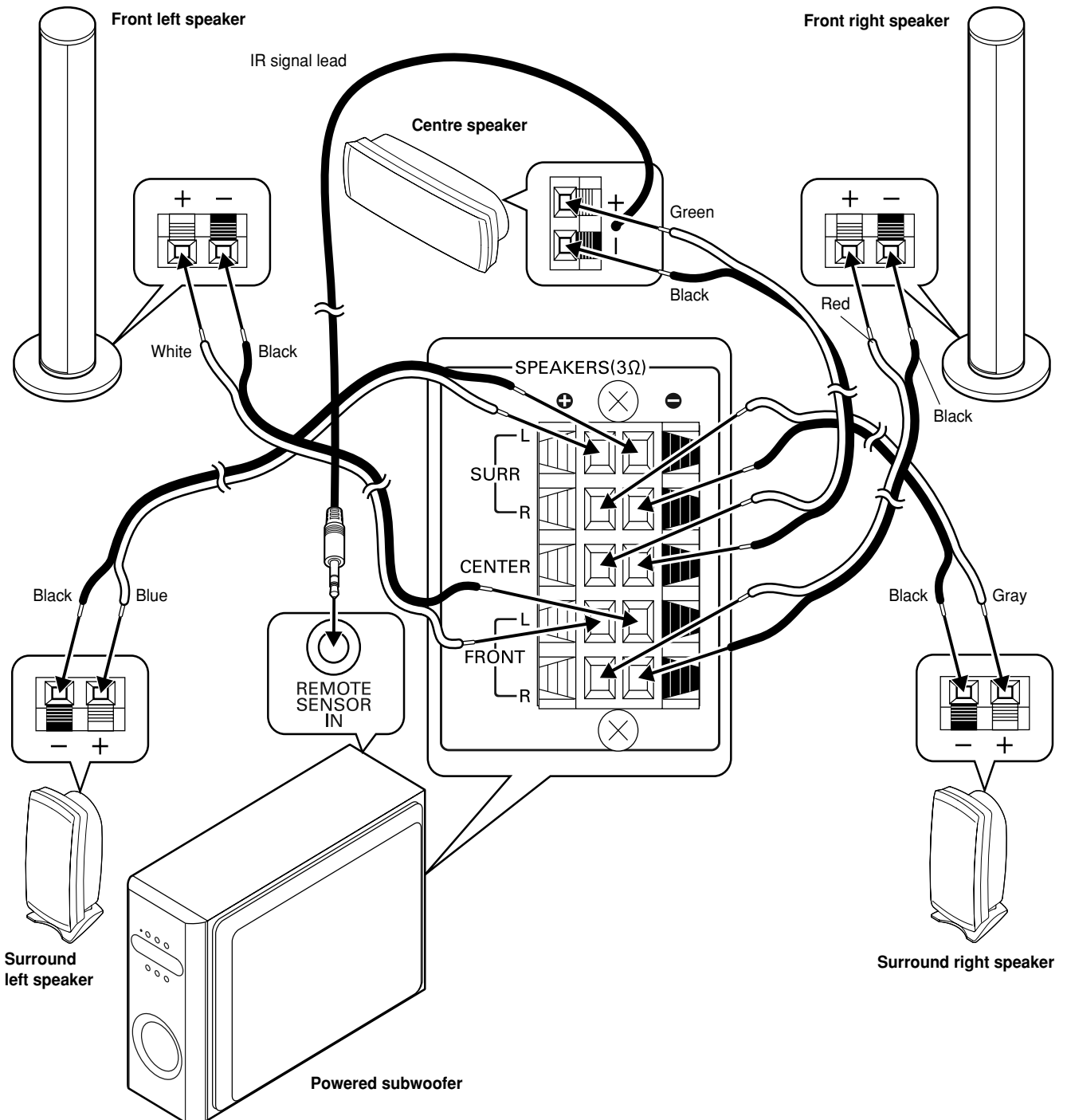
Speaker Connections

To achieve proper stereo reproduction, connect the speaker wires without shorting to adjacent wires as shown in figure.

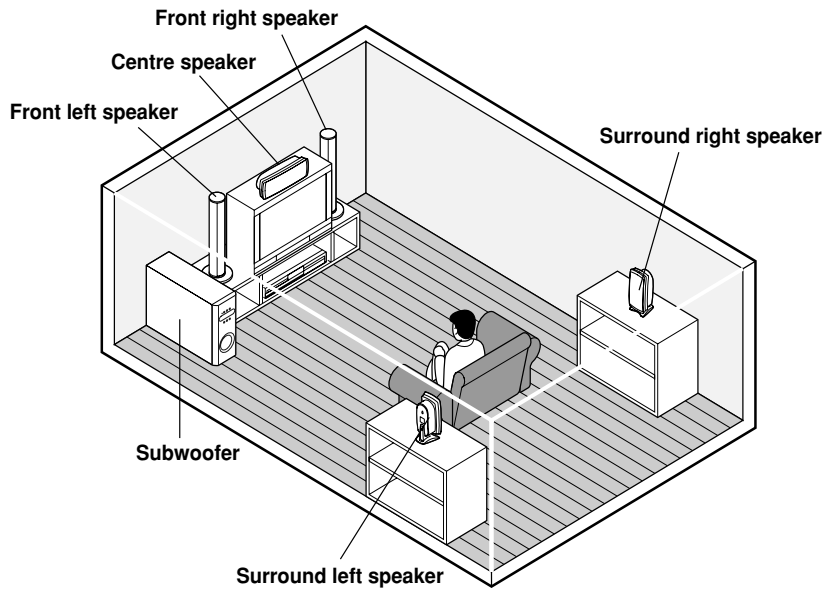
Speaker wire colour	Use
Black and White	Front left speaker
Black and Red	Front right speaker
Black and Green	Centre speaker
Black and Blue	Surround left speaker
Black and Gray	Surround right speaker

Note:

The SPEAKERS sockets are designed for use only with the supplied speakers. Do not use with other speakers. Connecting other speaker may damage the speaker and/or the unit.



Speaker Placement



The centre and front left/right speakers have built-in magnetic stray field compensation. They may be placed close to a TV without affecting the colour purity.

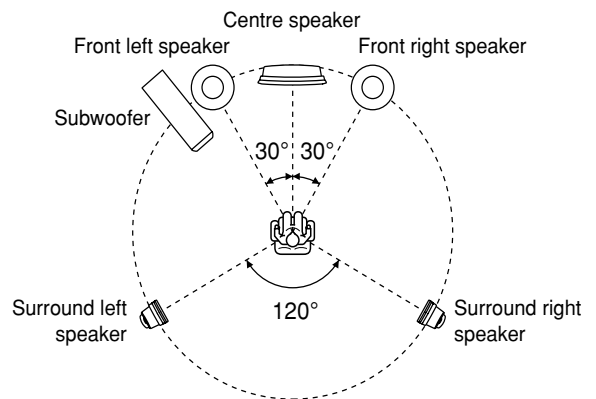
Place the front left/right speakers either side of the TV.

Place the centre speaker directly above the TV.

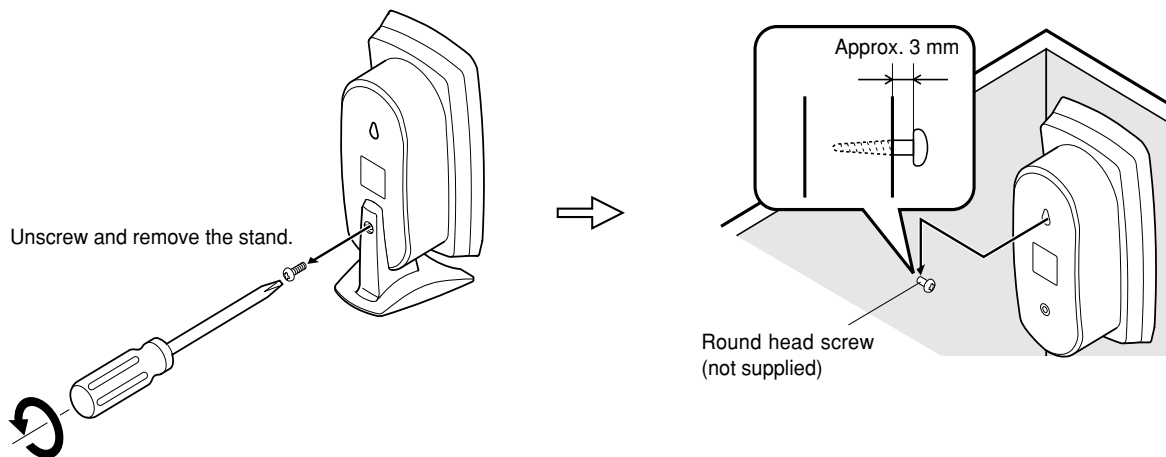
Place the subwoofer near the front speaker. However, do not place it in front of the TV. Keep enough distance between the subwoofer and the TV so as not to garble the TV screen.

Place the surround speakers either sides of the listening position, or slightly to the rear, approximately 60 cm ~ 1 meter higher than ear level.

The front, centre, and surround speakers should be placed at approximately the same distance from the listening position.



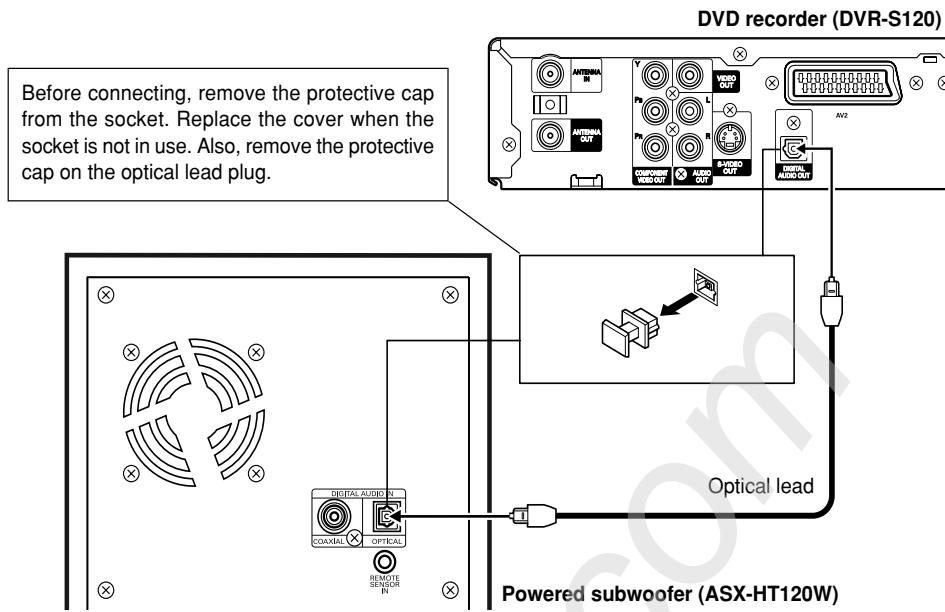
Example: To hang the speaker on a wall



Note:

Take care when installing the speakers. They may cause damage or serious injury should they fall from their mountings. Keep both the screw and stand for future use.

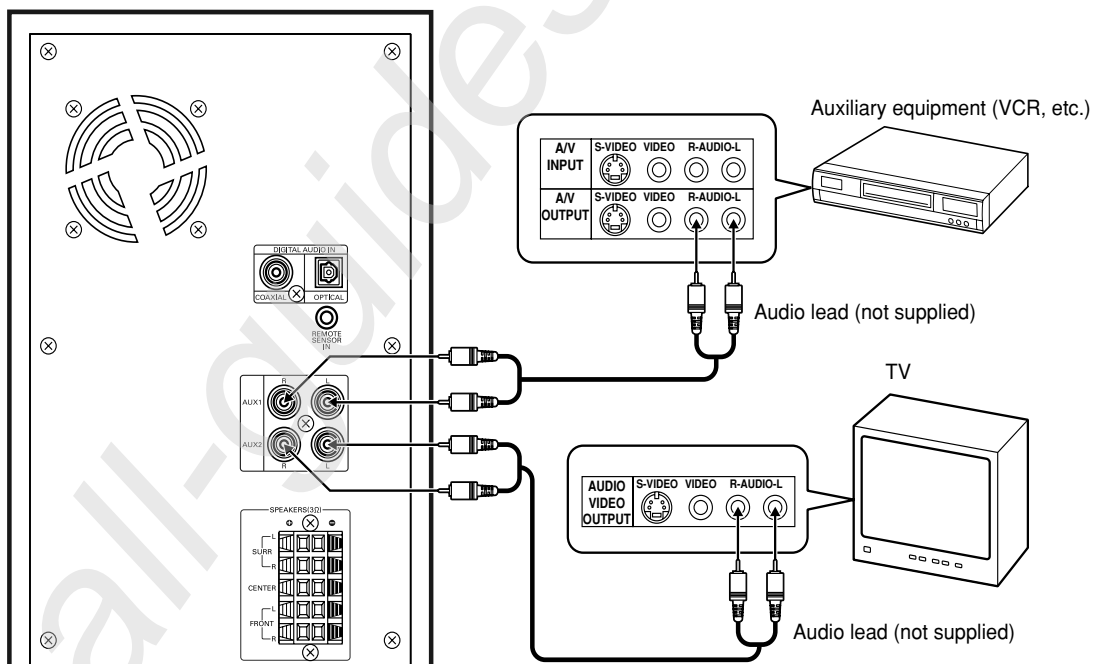
Connecting to the DVD Recorder



If your equipment has a coaxial digital audio output socket, use the COAXIAL DIGITAL AUDIO IN socket.

Auxiliary Equipment or TV Connection

If you want to enjoy an auxiliary equipment or TV sound, connect it as shown in figure.



Connecting the Mains Lead

After all connections have been made, connect one end of the mains lead to the AC IN socket and the other end to an AC outlet.

Note:

The system is not completely disconnected from the mains unless the primary power switch [ON/OFF] is set to OFF.

Manufactured under license from Dolby Laboratories.

"Dolby", "Pro Logic" and the double-D symbol are trademarks of Dolby Laboratories.

"DTS" and "DTS Digital Surround" are registered trademarks of Digital Theater Systems, Inc.

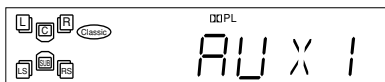
OPERATION

Either the main unit or remote control can be operated. However, for convenience, this instruction manual explains operation using the remote control.

- When operation buttons (amplifier controls) on the remote control are pressed, "OP" appears briefly on the display.

Turning the power on and off

1. Set the primary power switch [ON/OFF] on the rear of the powered subwoofer to ON. The unit enters to the standby mode and the STANDBY indicator lights.
 - The unit will respond to commands from the remote control.
2. Press [ON] (or [FUNCTION]) to turn the power on.



To turn the power off (standby), press [ON] again.

Set the primary power switch [ON/OFF] to OFF to turn the power off completely. The STANDBY indicator goes out.

Note:

In the standby mode, press [FUNCTION] for at least 5 seconds to reset the unit to the initial status.

Selecting the function

Press [FUNCTION] to select the desired function. Each time the button is pressed, the display changes as follows:

AUX1 → AUX2 → CO (Coaxial) → OP (Optical)

- Select "OP" when listening to the DVD recorder connected to the OPTICAL DIGITAL AUDIO IN socket.

Adjusting the volume

Press [VOL] + or -. The volume level appears on the display.

Adjustable range: "VOL 00" ~ "VOL 40".

Note:

When the volume has been set to "VOL 20" or more, the volume level will be set to "VOL 20" if the power is turned off and then turned back on again.

To reduce the volume temporarily

Press [MUTE]. "MUTE" appears on the display. To restore the previous volume setting, press [MUTE] again.

Selecting the sound mode

Press [SOUND] repeatedly to select the desired sound mode.

Pop/POP (Pops, etc.) → Rock/ROCK (Rock music, etc.) → Jazz/JAZZ (Jazz, etc.) → Classic/CLASSIC (Classical music, etc.)

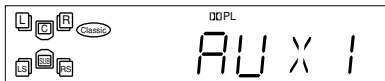
Selecting the surround mode

Press [SURROUND] to select the surround mode.

In the AUX1/AUX2 function:

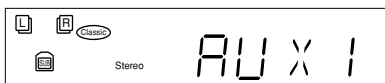
□□ PL (Dolby Pro Logic)

It is played back with Dolby Pro Logic mode.



Stereo

The surround mode is set to 2.1 channel (Front left and right speakers, and Subwoofer).

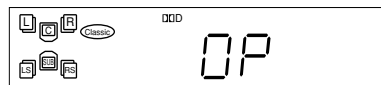


In the CO (Coaxial)/OP (Optical) function:

If the signal is encoded with Dolby Digital 5.1 channel surround sound:

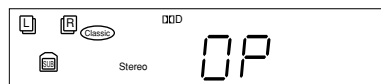
□□ D (Dolby Digital)

It is played back with Dolby Digital 5.1 channel surround sound. Not all DVD discs are encoded with Dolby Digital 5.1 channel surround sound.



Stereo

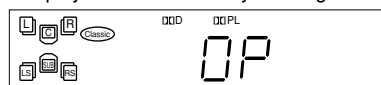
The surround mode is set to 2.1 channel.



If the signal is encoded with Dolby Digital 2 channel:

□□ D (Dolby Digital)/□□ PL (Dolby Pro Logic)

It is played back with Dolby Pro Logic mode.



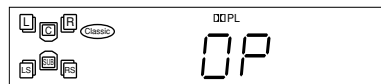
Stereo

The surround mode is set to 2.1 channel.

If the signal is encoded with 2 channel Linear PCM (stereo):

□□ PL (Dolby Pro Logic)

It is played back with Dolby Pro Logic mode.



Stereo

The surround mode is set to 2.1 channel.

If the signal is encoded with DTS:

dts (DTS)

It is played back with DTS surround sound.



Stereo

The surround mode is set to 2.1 channel.



When "□□ PL", "□□ D" or "dts" is selected, L, C, R, LS, RS and SUB appear. However the sound is not always heard from all of 6 speakers depending on the kind of the signal recorded on the disc.

When "Stereo" is selected, L, R and SUB appear.

Note:

If the signal is encoded with Dolby Digital mono and "□□ D" is selected, the sound is heard only from the centre speaker. If "Stereo" is selected, the sound is heard from the front left and right speakers, and subwoofer.

Adjusting the speaker volume balance

This unit is set to the standard level before shipping from the factory. You may not need adjustment.

However, depending on the size of the room and the placement of the speakers, you may need a fine adjustment.

In this case, follow the steps below. Please use the remote control at the listening point.

Trim mode

To adjust the level of each speaker:

1. Press [TRIM] repeatedly to select the speaker. Each time the button is pressed, the display changes as follows:

Example:

FL 00	Front left speaker
CN 00	Centre speaker
FR 00	Front right speaker
SL 00	Surround left speaker
SR 00	Surround right speaker
SU 00	Subwoofer
OFF	Off

2. Press [LEVEL] + or – to adjust the level of the selected speaker.
Adjustable range: “–09” ~ “+09”.
 - The adjustable range will differ depending on the volume position.
Example: If the volume is set “04”, the adjustable range is “–04” ~ “+09”

Note:

- If no adjustments are made for a few seconds, the original display returns and the level is stored.
- In “Stereo” surround mode, only “FL”, “FR”, “SU” and “OFF” can be selected.

Test tone mode

1. Press [SOUND] to select “Classic”.
2. Press [VOL] + or – to adjust the volume to your ordinary level.
3. Press [TEST]. “L, FL” appears on the display. The test tone will be heard from each speaker sequentially as follows:

L, FL	Front left speaker
C, CN	Centre speaker
R, FR	Front right speaker
RS, SR	Surround right speaker
LS, SL	Surround left speaker
SUB, SUB	Subwoofer

4. If the test tone level is not the same from each speaker, press [LEVEL] + or – to adjust it while the speaker is activated.
Adjustable range: “–09” ~ “+09”.
 - The adjustable range will differ depending on the volume position.

If necessary, repeat this step again.

5. Press [TEST] to turn the test tone off.

Note:

In “Stereo” surround mode, only “L, FL”, “R, FR” and “SUB, SUB” can be selected.

Adjusting the delay time (Using the main unit only)

The sound from speakers can reach the listening position at different times depending on the speaker placements. You can allow for this difference by changing the delay time of the centre and surround (rear) speakers. You also can change the dynamic range control (DRC).

Preparation

Press [SOUND] for at least 5 seconds. The unit enters the “MENU ON” status. “MENU ON” scrolls on the display.

To exit “MENU ON” status, press [FUNCTION].

In “MENU ON” status:

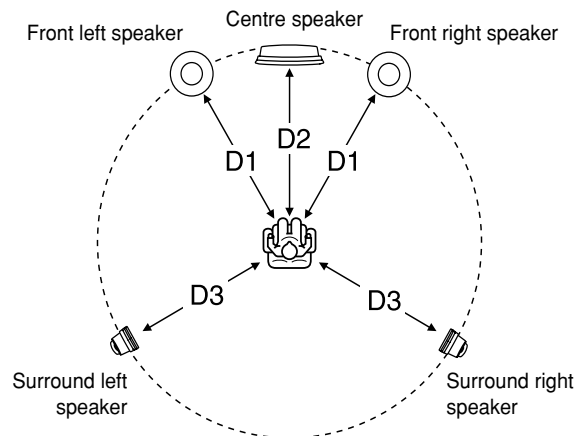
1. Press [SURROUND] to select “CN DELAY” (Centre delay), “REAR DELAY” (Rear delay) or DYNAMIC (Dynamic range control).
2. Press [VOLUME] + to select the centre or surround (rear) speaker delay time, or dynamic range control.

Centre speaker delay time

If $D1 \leq D2$, set the delay time to “OFF”.

If $D1 > D2$, set the delay time as follows:

Difference between D1 and D2	Delay time
Approx. 30cm	1MS (1ms)
Approx. 60cm	2MS (2ms)
Approx. 90cm	3MS (3ms)
Approx. 120cm	4MS (4ms)
Approx. 150cm	5MS (5ms)



Surround speaker delay time

If $D1 \leq D3$, set the delay time to “OFF”.

If $D1 > D3$, set the delay time as follows:

Difference between D1 and D3	Delay time
Approx. 90cm	3MS (3ms)
Approx. 180cm	6MS (6ms)
Approx. 270cm	9MS (9ms)
Approx. 360cm	12MS (12ms)
Approx. 450cm	15MS (15ms)

Dynamic range control

ON: Optimises the sound for playback at low volume.

You are therefore less likely to disturb your neighbours.

This only works for Dolby Digital audio signal.

OFF: Sound with a wide dynamic range.

After several seconds, the “MENU ON” status returns.

3. Press [FUNCTION] to exit “MENU ON” status.

Sleep timer operation (Using the main unit only)

The sleep timer automatically switches off the power after a preset time has elapsed. There are 5 time periods available: 15, 30, 45, 60 and 90 minutes.

In "MENU ON" status:

Press [SOUND] repeatedly to select the desired sleep time. The selected time (eg. SLP 15) appears on the display. After several seconds, the "MENU ON" status returns and the sleep timer is set.

To check the remaining sleep time

Press [SOUND] once. After several seconds, the "MENU ON" status returns.

To release the sleep timer while in operation

Press [SOUND] repeatedly until "OFF" appears, then press [FUNCTION] to exit "MENU ON" status. The timer is also released if the power is switched off.

TROUBLESHOOTING

SYMPTOM

POSSIBLE CAUSE

CORRECTIVE ACTION

Power does not come on.

The primary power switch [ON/OFF] on the subwoofer is OFF.
Set the primary power switch [ON/OFF] to ON.

Colour blur occurs on the TV screen.

The subwoofer is close to the TV.
Keep enough distance between the subwoofer and the TV so as not to garble the TV screen.

SYMPTOM

POSSIBLE CAUSE

CORRECTIVE ACTION

Remote control does not work properly during operating the amplifier controls.

The remote control is not pointed at the remote sensor of the centre speaker.

Point the remote control at the remote sensor of the centre speaker.

The IR signal lead of the centre speaker is not connected.

Connect the IR signal lead to the REMOTE SENSOR IN socket on the subwoofer.

MAINTENANCE

Cleaning the cabinet

Use a clean soft cloth moistened with plain lukewarm water and wrung dry. Never use benzol, benzene or other strong chemical cleaners since these could damage the finish of your unit. It is important that no liquid reaches the inside of the unit.

SPECIFICATIONS

Powered subwoofer (ASX-HT120W)

Output power

Front/Centre/Rear: 100W/ch (at 3Ω,1kHz,10%T.H.D.,1 channel driven)

Subwoofer: 100W (at 3Ω,100Hz,10%T.H.D.,1 channel driven)

Input connections

Analogue input sensitivity: AUX1 500mV/47kΩ
AUX2 500mV/47kΩ

Digital: Optical x1

Coaxial x1

IR Input: Mini type x1

Output connections

Speakers: Front/Centre/Rear 3Ω

Subwoofer (Speaker)

System: Bassreflex

Unit: 13cm Cone type (none-magnetic shield)

Impedance: 3Ω

General

Power requirements: 230V AC, 50Hz

Power consumption: 180W

Standby : 0.8W

Dimension(WxHxD): 160 x 330 x 440mm

Weight: Approx. 7.1kg

Front speaker (SX-HT120F)

System: Closed

Unit: 5cm Cone type x6 (magnetic shield)

Impedance: 3Ω

Dimension (WxHxD): 140 x 465 x 140mm

Weight: Approx. 1.5kg/per speaker

Centre speaker (SX-HT120C)

System: Closed, 2Way

Unit: 8cm Cone type x2 (magnetic shield)

2.5cm tweeter x1

Impedance: 3Ω

Dimension (WxHxD): 272 x 98 x 78mm

Weight: Approx. 1.3kg

Rear speaker (SX-HT120R)

System: Closed, 2Way

Unit: 8cm Cone type x2 (non-magnetic shield)

Impedance: 3Ω

Dimension (WxHxD): 96 x 216 x 95mm

Weight: Approx. 1kg/per speaker

Specifications subject to change without notice.

MEMO

all-guides.com

