

Use and Care Instructions

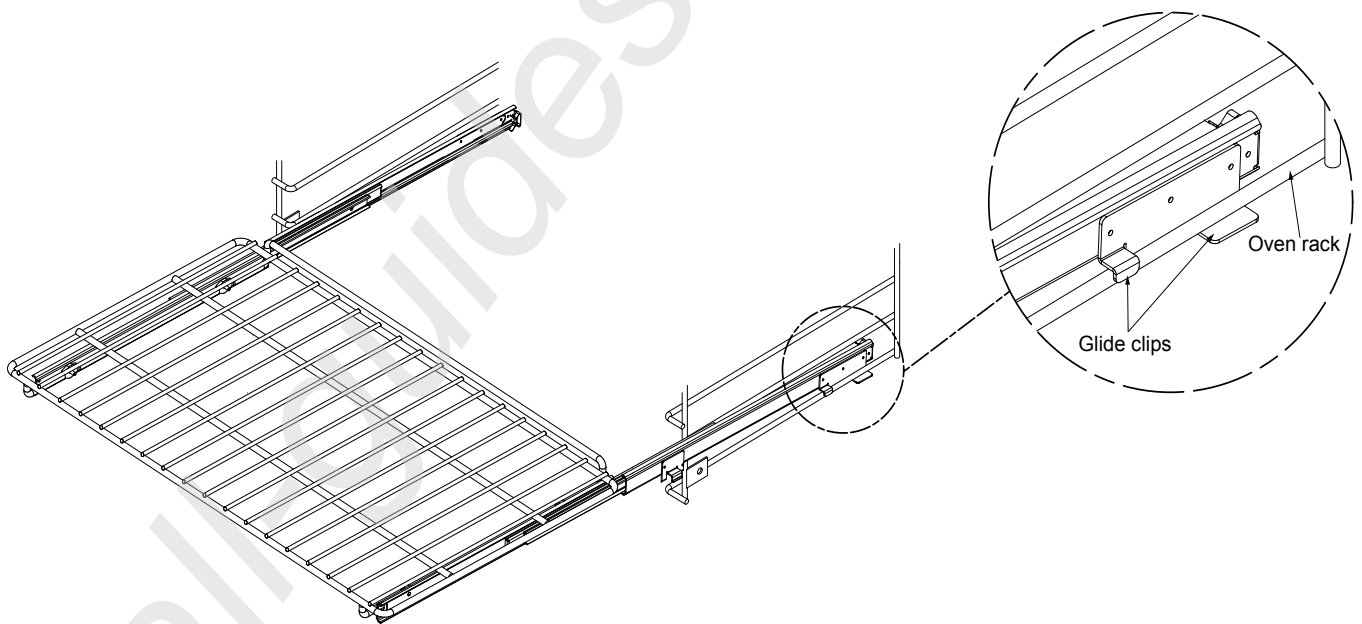
GlideRack™ Oven Rack

Dacor's GlideRack oven rack is designed to install effortlessly and glide at a full extension. The full extension of the rack allows you to slide pizza on and off the optional pizza baking stone (model number ABS20), with great ease. The GlideRack oven rack is also great for large roasts in large roasting pans. This type of rack also allows you to baste more easily and check temperatures of the food more safely and quickly.

Proper Installation of the Easy slide Oven Rack:

1. Fully extend the two side guides. Align two small clips on the bottom at the rear of the GlideRack oven rack with the black porcelain rack guides in the oven.
2. Begin to slide the rack in, then lift up. The GlideRack oven rack must be in between the two clips on the upper and lower side of the rack rear.
3. Push the rack all the way to the back.
4. Grasp the rack in the front center and pull. The rack should come forward while the side guides remain in place.

NOTE: When fully extending the rack while in the first position, the rack may rest on the inner door on some oven or range models.



Helpful Hints When Using Your GlideRack Oven Rack:

1. This rack works particularly well with heavier items, but you can use it during any type of baking, broiling or roasting in your Dacor oven.
2. GlideRack oven racks need to be spaced out when using more than one in the oven at a time. For instance, they should be used on rack positions 1,3 and 5 or 2 and 4, counting up from the bottom, instead of using racks 2, 3 and 4.
3. When using the GlideRack oven rack with Dacor's optional ABS20 baking stone, use rack position 1 for best results.
4. Heavier roasting pans and dishes will also cook better on Rack position 1.
5. Do not leave the rack in the oven during self- clean. The rack will become difficult to slide in and out. Remove all the racks and the convection filter in the back of the oven before self-cleaning.
6. To clean the rack, use hot, soapy water and the rough side of a sponge.

