



ITEM#

PROJECT

DATE

# French Press Grinder

## Features

### Portion Control Grinder

- Accommodates up to 8" (20.3 cm) tall French press or funnel for drip-style brewer.
- Multi-batch setting allows users to specify a French press brew size or grind enough coffee into a funnel to brew larger amounts of drip-style coffee.
- Professional grind provided by large 3<sup>3</sup>/<sub>16</sub>" (8.1 cm) diameter burrs powered by quiet, low speed, high torque motor.
- Equipped with commercial grinding burrs to provide maximum grinding precision for small amounts of coffee.
- Three-year warranty on grinding burrs.
- Can use Gourmet funnel for heavier throw weights of coffee.

### FPG-2 DBC Additional Features

- Two hoppers can hold 3 lbs. (1.4 Kg) each of regular and decaf or specialty beans.
- Digital touchpad for front of machine programming and LCD read-out.



### Model FPG-2 DBC

(French press sold separately)

Dimensions: 21.8"H x 8.6"W x 11"D  
(55.4cm H x 21.84cm W x 28cm D)



### Model FPG

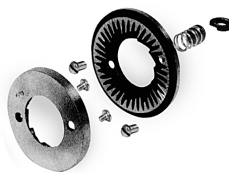
Dimensions: 20"H x 8.6"W x 10"D  
(50.8cm H x 21.8cm W x 25.4cm D)

For current specification sheets and other information, go to [www.bunn.com](http://www.bunn.com).

## Related Products

### Precision Burrs

All BUNN grinders use precision burrs to cut (not crush) the coffee beans and deliver consistent grind distribution. BUNN burrs are rated at a Rockwell hardness of 66C, resulting in an exceptionally long burr life.



### Gourmet C Funnel

Product No.: 34559.0000 (7.12" wide)  
34559.0001 (7.62" wide)



- Universal design - handle may be moved to appropriate side
- Allows brewing with heavier throw weights of coffee.
- Paper Filter Pack  
Product No.: 20100.0000  
Packed per case: 500

### Short French Press Funnel

Product Number: 38124.0000

### Model

### Agency Listing

FPG  
FPG-2 DBC

## Dimensions & Specifications

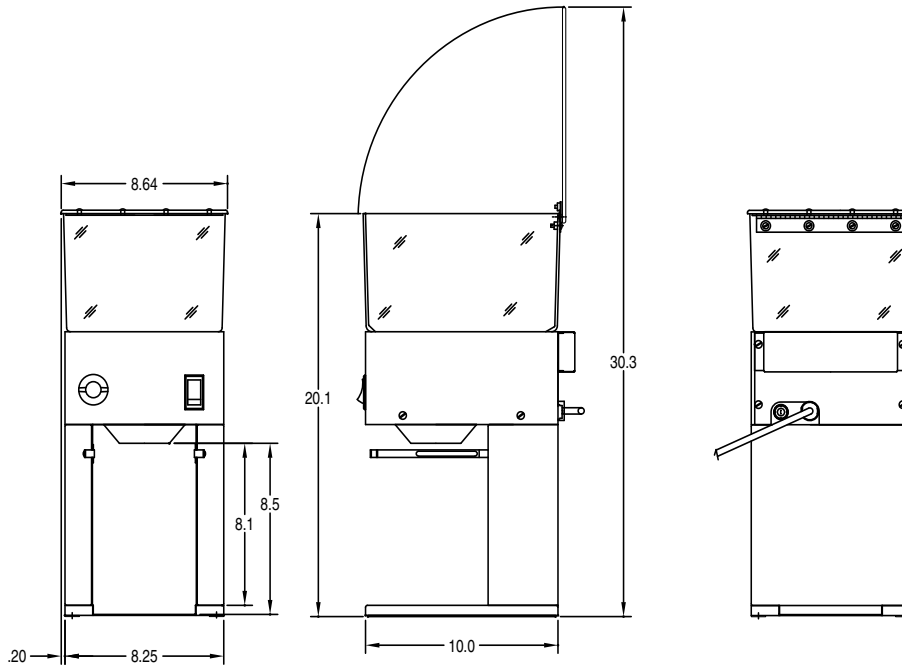


Model	Product #	Volts	Amps	Capacity lbs. / kg	Cubic ft <sup>3</sup> /m <sup>3</sup>	Shipping Weight	Cord Attached
FPG	36800.6000	120	4	6 / 2.8	2.9/0.08	24 lbs. (11.6 kg)	Yes*
FPG-2 DBC	36400.6000	120	4	3 / 1.4 per hopper	2.9/0.08	31 lbs. (14.06 kg)	Yes*

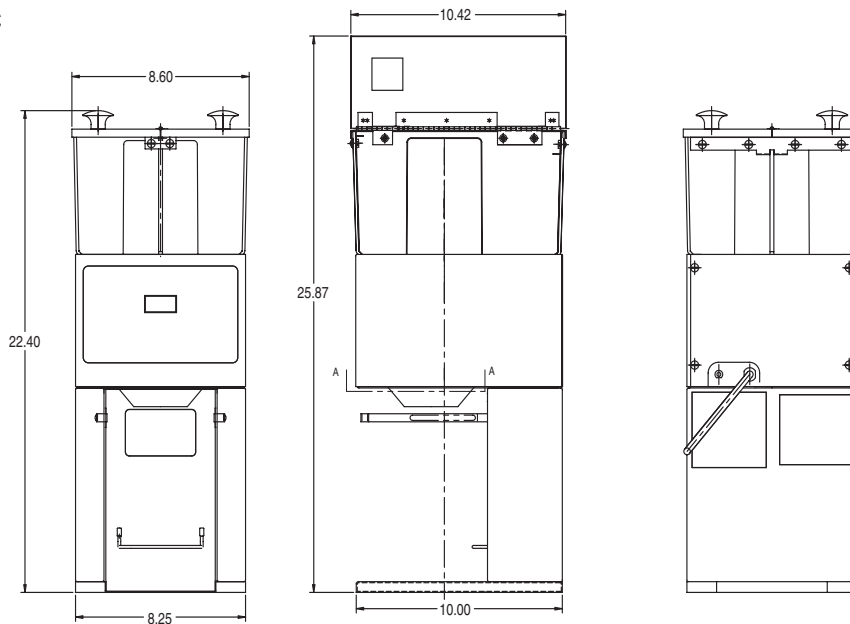
\*Power cord (NEMA 5-15P) 15 Amp-120V machine only.

Electrical: Model requires 2-wires plus ground service rated 120V, single phase, 60 Hz.

Model FPG



Model FPG-2 DBC



Bunn-O-Matic Corporation of Canada - 280 Industrial Pkwy. S. Aurora, Ontario L4G 3T9 • 905-841-2866 • Fax 905-841-2775 • www.bunn.com

BUNN® practices continuous product research and improvement. We reserve the right to change specifications and product design without notice. Such revisions do not entitle the buyer to corresponding changes, improvements, additions or replacements for previously purchased equipment.

All dimensions shown in inches. Bunn Corporation owns all copyrights relating to materials in this publication. Please contact Bunn Corporation to request permission to reproduce any portion of this publication.