

hama®

THE SMART SOLUTION

00
173858

"FreeStereo Twins"

Bluetooth-Headset

Operating Instructions

GB

Bedienungsanleitung

D

Mode d'emploi

F

Instrucciones de uso

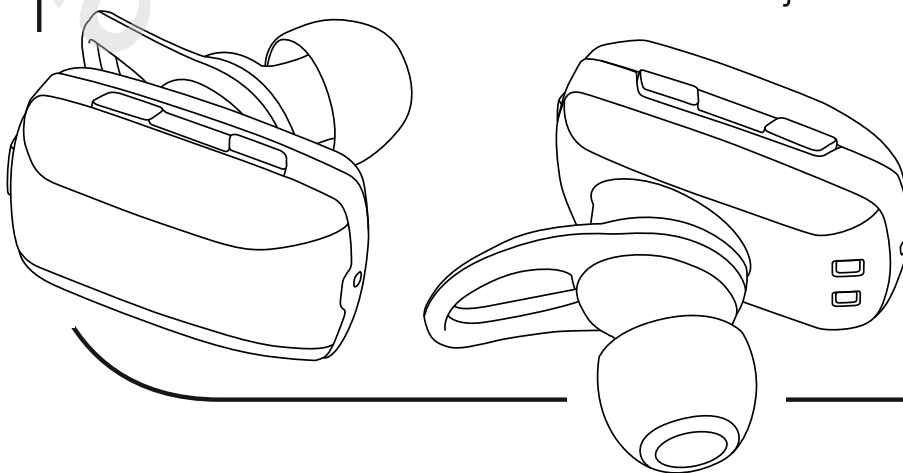
E

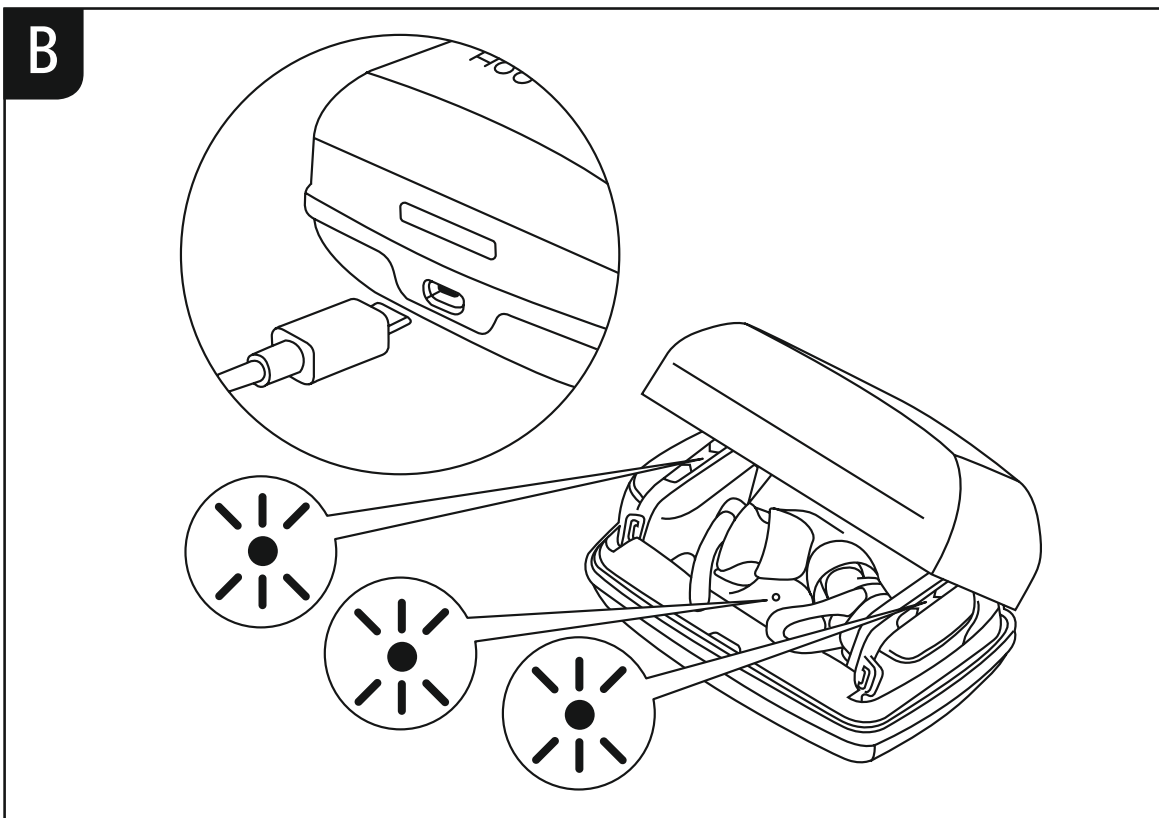
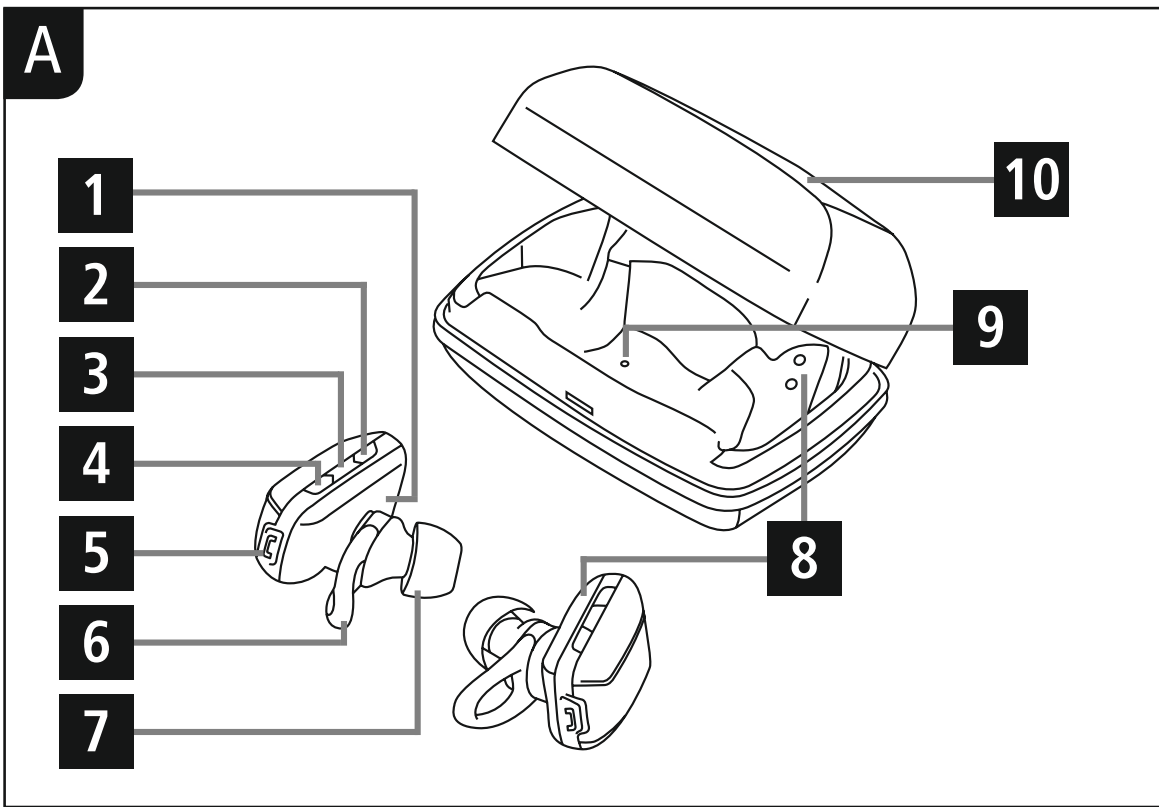
Gebruiksaanwijzing

NL

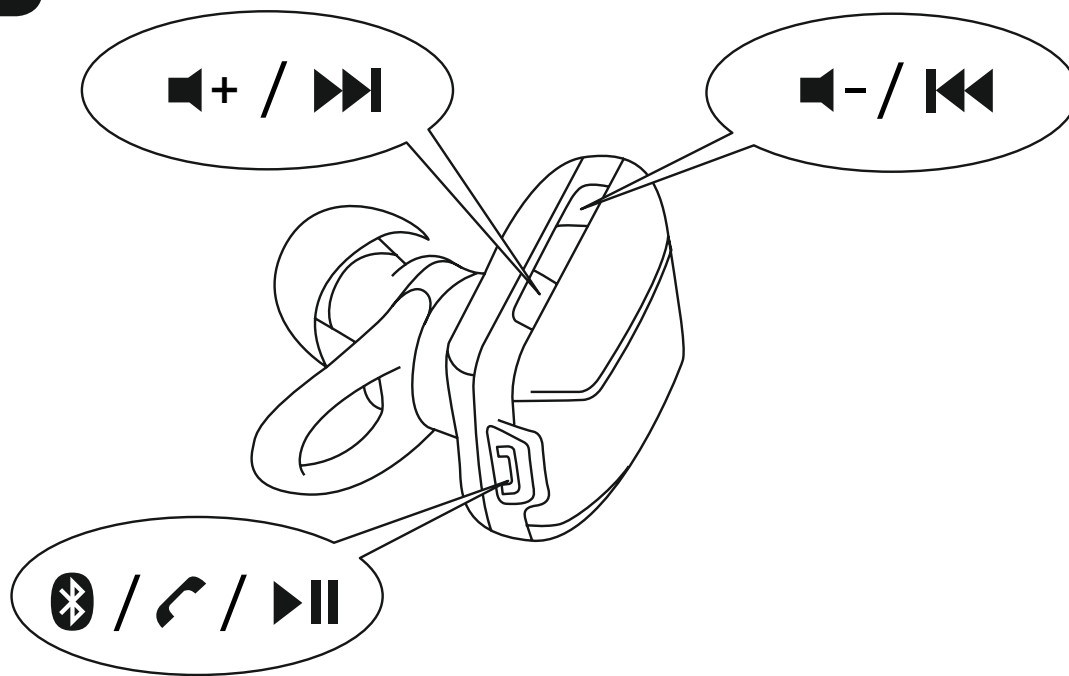
Instrukcja obsługi

PL

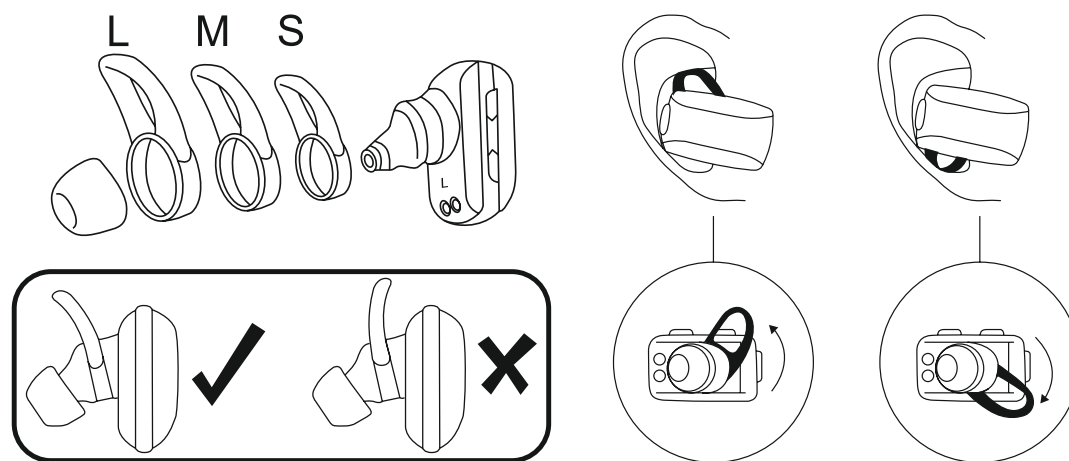




C



D



GB Operating instruction

Controls and Displays

1. Microphone
2. Volume Control (-)
3. Status LED
4. Volume Control (+)
5. Multi-Function Key
6. Ear Hook
7. Ear pads
8. Charging contacts
9. Status LED of charging box
10. Charging Socket

Thank you for choosing a Hama product.

Take your time and read the following instructions and information completely. Please keep these instructions in a safe place for future reference. If you sell the device, please pass these operating instructions on to the new owner.

1. Explanation of Warning Symbols and Notes



Warning

This symbol is used to indicate safety instructions or to draw your attention to specific hazards and risks.



Note

This symbol is used to indicate additional information or important notes.

2. Package Contents

- 1x FreeStereo Twins Bluetooth headset
- 1x USB charging Cable
- 1x Charging box
- 4x Ear pads
- 3x Ear Hook
- These operating instructions

3. Safety Notes

- The product is intended for private, non-commercial use only.
- Protect the product from dirt, moisture and overheating, and only use it in a dry environment.
- Do not allow yourself to be distracted by the product, for example when driving a vehicle or operating sports equipment. Always pay attention to the surrounding traffic and your environment.
- Do not drop the product and do not expose it to any major shocks.
- Do not operate the product outside the power limits given in the specifications.
- Do not open the device or continue to operate it if it becomes damaged.
- Since the battery is integrated and cannot be removed, you will need to dispose of the product as a whole. Do this in compliance with the legal requirements.
- Dispose of packaging material immediately according to locally applicable regulation.
- Do not modify the product in any way. Doing so voids the warranty.



Warning – Rechargeable battery

- Only use suitable charging devices or USB connections for charging.
- As a rule, do not charge devices or USB connections that are defective and do not try to repair them yourself.
- Do not overcharge the product or allow the battery to completely discharge.
- Avoid storing, charging or using batteries in extreme temperatures.
- We suggest to fully charge the item for at least one time in two months



Warning – Loud volume



- Using this product limits your perception of ambient noise. For this reason, do not operate any vehicles or machines while using this product.
- Always keep the volume at a reasonable level. Loud volumes, even over short periods, can cause hearing loss.

4. Getting Started

- The two headsets and the charging box are equipped with a rechargeable battery. The battery must be fully charged before using the device for the first time.
- You can charge the headsets directly using the charging box, or charge the battery of the charging box. This allows you to charge the headset batteries while on the go, without an external power supply. In other words, the charging box is used as mobile power storage.



Note

Use only the supplied USB charging cable!

4.1 Charging the headsets

- Ensure that the headsets are switched off before charging them.
- Place both headsets in the charging box.
- Charging of the headsets will start automatically if the battery of the charging box still has sufficient charge.
- If not, begin charging by connecting the included USB charging cable to the charging terminal (10) and to the USB connection of a suitable USB charger. Please refer to the operating instructions for the USB charger used.
- The status LEDs (3) of the headsets emit a constant red light during charging.
- It takes about one hour to charge a headset battery.
- When a headset's battery is fully charged, the light emitted by the status LED (3) of the headset goes out.
- You can now remove the headset.

4.2 Charging the charging box

- Begin charging by connecting the included USB charging cable to the **charging terminal** (10) and to the USB connection of a suitable USB charger. Please refer to the operating instructions for the USB charger used.
- The status LED of the **charging box** (9) emits a constant red light during charging.
- Charging the battery fully may take up to 2 hours.
- When the battery is fully charged, the **status LED** (9) goes out.
- Disconnect all cable and mains connections after use.



Note

- If the headset batteries and the charging box battery are empty, the headset batteries will be recharged first. After that, the battery of the charging box will be charged (lights emitted by the status LEDs (3) of the headsets go out; status LED (9) of the charging box continues to emit a red light).
- A charging box battery that has been fully charged allows you to completely charge both headsets about four times.

5. Operation

5.1 Switching the headset on/off

- **Turn On:**
With the device off, press and hold the **multifunction button** (5) for 6 seconds until you hear a voice say "Power on". The **status LED** (3) initially emits blue flashes of light and then a red flash of light.
- **Turn Off:**
With the device on, press and hold the **multifunction button** (5) for 4 seconds until you hear a voice say "Power off". The **status**

LED (3) will light up in red briefly before the device turns off.

The first time the device is turned on, pairing is automatically started – see **5.2 Bluetooth pairing – Headsets**.

5.2. Bluetooth pairing – Headsets

- First the two headsets must connect to one another.
- Ensure that both headsets are switched off.
- Press and hold the multifunction button (5) on both headsets for approximately eight seconds until the status LEDs (3) begin to alternate between a red and blue light.
- The headsets automatically pair with one another within about ten seconds. After that, you can connect the headsets to a terminal device.
- If the two headsets cannot set up a connection within two minutes, they will automatically switch off.



Note

- Once the headsets have correctly paired with one another, one headset will automatically be guided by the headset that was switched on/paired first.
- Therefore, when connecting the headsets to terminal devices in future, you merely have to switch on both headsets and put one of the headsets into pairing mode. The other headset is automatically connected.

5.3. Bluetooth pairing with terminal device

- The headsets and the terminal device should be no further than one metre apart. The smaller the distance, the better.
- Ensure that both headsets are switched on and paired with one another.



Note – Pairing

- Make sure that your Bluetooth-capable terminal device is on and Bluetooth is activated.
- For more information, please refer to the operating instructions of your terminal device.
- Open the Bluetooth settings on your terminal device and wait until **FreeStereo Twins** appears in the list of Bluetooth devices found.
- Select **FreeStereo Twins** and wait until the headsets are listed as connected in the Bluetooth settings on your terminal device.



Note – Bluetooth password

Some terminal devices require a password in order to connect to another Bluetooth device.

- If your terminal device requests a password to establish the connection, enter **0000**.

**Note**

If pairing was successful, the status LEDs (3) emit blue flashes of light every five seconds.

- You can now use the headsets.

5.4. Automatic Bluetooth connection (after successful pairing)

**Note**

- Make sure that your Bluetooth-capable terminal device is on and Bluetooth is activated.
- For more information, please refer to the operating instructions of your terminal device.
- Ensure that the headsets are switched on.
- You can also switch just one of the headsets on. This headset will automatically connect to the terminal device after successful pairing. If the other headset is likewise switched on, it connects to the headset that was switched on first and so is likewise automatically paired with the terminal device.
- After the headset and terminal device have been paired, a connection is established automatically.
- You can now use the headset/headsets.



Note

- If pairing was successful, the status LEDs (3) emit blue flashes of light every five seconds.
- If pairing was not successful, the status LEDs (3) emit a flash of light once every five seconds, and you will have to perform pairing again.
- It may be necessary to change the settings on your terminal device to enable it to automatically connect to the paired headset.



Note – Connection impaired

After the headset and terminal device have been paired, a connection is established automatically. If the Bluetooth connection is not established automatically, check the following:

- Go to the Bluetooth settings on your terminal device and check whether **FreeStereo Twins** are connected. If not, repeat the steps listed under **5.3 Bluetooth pairing with terminal device**.
- Check whether obstacles are impairing the range. If so, move the devices closer together.
- The performance can also be affected by a weak battery.

5.5. Audio playback



Note

- Note that support for certain key functions may vary depending on your terminal device.
 - For more information, please refer to the operating instructions of your terminal device.
 - Functions can still be controlled directly via the terminal device.
-
- Set the volume on your terminal device to a low level.
 - Start audio playback on the connected terminal device.
 - Press the volume control (+) (4) to increase the volume.
 - Press the volume control (-) (2) to reduce the volume.
 - Press and hold the volume control (+) (4) to skip to the next track.
 - Press and hold the volume control (-) (2) to skip to the previous track.

5.6. Hands-free function



Note

- Note that support for certain key functions may vary depending on your terminal device.
- For more information, please refer to the operating instructions of your terminal device.
- Functions can still be controlled directly via the terminal device.

Making a call

- Dial the number directly on your terminal device to make a call.

Accepting calls

- Press the **multifunction button** (5) once to answer an incoming call.

Ending a call

- During a call, press the **multifunction button** (5) once to end the call.

Redial

- Briefly press the **multifunction button** (5) twice to call the last number.



Note – Call quality

To increase the call quality, make sure that you are near the headsets with your mobile phone during the call.

5.7. Volume control and mute function

- Press the **volume control (-)** (2) to reduce the volume.
- Press the **volume control (+)** (4) to increase the volume.

5.8. Disconnecting the headset

- Switch the headset off.
- Disconnect the headset via the Bluetooth settings on your terminal device.

5.9. Battery level

- To save energy, the headset automatically switches off if it is not connected to a device for a certain time.
- When the headset's battery level is low, a voice says "Low battery, please charge" every 60 seconds, and the status LED (3) emits a red flash of light three times.
- Charge the headset as described in **4. Getting Started**.
- Press the volume control (-) (2) twice to find out the current battery level.

| Available talk time | Language information | Status-LED (2) |
|---------------------|----------------------|--------------------|
| > 3,75 h | „Battery high“ | Blue → 3 seconds |
| 3,75 h – 0,75 h | „Battery medium“ | Blue → 3x flashing |
| < 0,75 h | „Battery low“ | Rot → 3x flashing |



Note

- Please note that the two headsets can have different battery levels. You should therefore check the battery levels of the headsets separately.
- However, the talk and standby times may vary when used with different mobile phones or other compatible Bluetooth devices, usage settings, usage styles and environments.

5.10. Reset/factory setting

Resetting to the factory default settings can solve some problems and malfunctions.

- Press and hold the multifunction button (5) and the volume control (-) (2) for approximately eight seconds to reset the headset to factory settings.
- Note that the headset must not be paired with an end terminal during the reset process.

6. Care and Maintenance

Only clean this product with a slightly damp, lint-free cloth and do not use aggressive cleaning agents. Make sure that water does not get into the product.

7. Warranty Disclaimer

Hama GmbH & Co KG assumes no liability and provides no warranty for damage resulting from improper installation/mounting, improper use of the product or from failure to observe the operating instructions and/or safety notes.






8. Service and Support

Please contact Hama Product Consulting if you have any questions about this product.

Hotline: +49 9091 502-115 (German/English)

Further support information can be found here:
www.hama.com

9. Technical Data

| | |
|---|--|
|  | Bluetooth Headset |
| Bluetooth technology | Bluetooth V4.1 |
| Supported profiles | A2DP, AVRCP, HSP, HFP |
| Range | < 10 m |
|  | Charging box battery |
| Input | 5V  340 mA |
| Output | 4,65 V  340 mA |
| Battery type | Li-ion 3,7 V / 420 mAh |
| Charging time | ~ 2h |
|  | Battery for each headset |
| Battery type | Li-ion 3,7 V / 40 mAh |
| Charging time | ~ 1h |

10. Recycling Information

Note on environmental protection:



After the implementation of the European Directive 2012/19/EU and 2006/66/EU in the national legal system, the following applies: Electric and electronic devices as well as batteries must not be disposed of with household waste. Consumers are obliged by law to return electrical and electronic devices as well as batteries at the end of their service lives to the public collecting points set up for this purpose or point of sale. Details to this are defined by the national law of the respective country. This symbol on the product, the instruction manual or the package indicates that a product is subject to these regulations. By recycling, reusing the materials or other forms of utilising old devices/Batteries, you are making an important contribution to protecting our environment.

11. Declaration of Conformity



Hereby, Hama GmbH & Co KG declares that the radio equipment type [00173858] is in compliance with Directive 2014/53/EU. The full text of the EU declaration of conformity is available at the following internet address: www.hama.com -> 00173858 -> Downloads.

| | |
|---|----------------|
| Frequency band(s) | 2402 - 2480MHz |
| Maximum radio-frequency power transmitted | < 10mW EIRP |

D Bedienungsanleitung

Bedienungselemente und Anzeigen

1. Mikrofon
2. Lautstärkeregler (-)
3. Status-LED
4. Lautstärkeregler (+)
5. Multifunktionstaste
6. Ohrbügel
7. Ohrpolster
8. Ladekontakte
9. Status-LED Ladebox
10. Ladebuchse

Vielen Dank, dass Sie sich für ein Hama Produkt entschieden haben! Nehmen Sie sich Zeit und lesen Sie die folgenden Anweisungen und Hinweise zunächst ganz durch. Bewahren Sie diese Bedienungsanleitung anschließend an einem sicheren Ort auf, um bei Bedarf darin nachschlagen zu können. Sollten Sie das Gerät veräußern, geben Sie diese Bedienungsanleitung an den neuen Eigentümer weiter.

1. Erklärung von Warnsymbolen und Hinweisen



Warnung

Wird verwendet, um Sicherheitshinweise zu kennzeichnen oder um Aufmerksamkeit auf besondere Gefahren und Risiken zu lenken.



Hinweis

Wird verwendet, um zusätzlich Informationen oder wichtige Hinweise zu kennzeichnen.

2. Packungsinhalt

- 1x Bluetooth-Headset FreeStereo Twins
- 1x USB-Ladekabel
- 1x Ladebox
- 4x Ohrpolster
- 3x Ohrbügel
- diese Bedienungsanleitung

3. Sicherheitshinweise

- Das Produkt ist für den privaten, nicht-gewerblichen Haushaltsgebrauch vorgesehen.
- Schützen Sie das Produkt vor Schmutz, Feuchtigkeit und Überhitzung und verwenden Sie es nur in trockenen Umgebungen.
- Lassen Sie sich auf der Fahrt mit einem Kraftfahrzeug oder Sportgerät nicht durch Ihr Produkt ablenken und achten Sie auf die Verkehrslage und Ihre Umgebung.
- Lassen Sie das Produkt nicht fallen und setzen Sie es keinen heftigen Erschütterungen aus.
- Betreiben Sie das Produkt nicht außerhalb seiner in den technischen Daten angegebenen Leistungsgrenzen.
- Öffnen Sie das Produkt nicht und betreiben Sie es bei Beschädigungen nicht weiter.
- Der Akku ist fest eingebaut und kann nicht entfernt werden, entsorgen Sie das Produkt als Ganzes gemäß den gesetzlichen Bestimmungen.
- Entsorgen Sie das Verpackungsmaterial sofort gemäß den örtlich gültigen Entsorgungsvorschriften.
- Nehmen Sie keine Veränderungen am Gerät vor. Dadurch verlieren sie jegliche Gewährleistungsansprüche.



Warnung – Akku

- Verwenden Sie nur geeignete Ladegeräte oder USB-Anschlüsse zum Aufladen.
- Verwenden Sie defekte Ladegeräte oder USB-Anschlüsse generell nicht mehr und versuchen Sie nicht, diese zu reparieren.
- Überladen oder tiefentladen Sie das Produkt nicht.
- Vermeiden Sie Lagerung, Laden und Benutzung bei extremen Temperaturen.
- Laden Sie bei längerer Lagerung regelmäßig (mind. vierteljährig) nach.



Warnung – Hohe Lautstärke



- Die Benutzung des Produktes schränkt Sie in der Wahrnehmung von Umgebungsgeräuschen ein. Bedienen Sie daher während der Benutzung keine Fahrzeuge oder Maschinen.
- Halten Sie die Lautstärke immer auf einem vernünftigen Niveau. Hohe Lautstärken können – selbst bei kurzer Dauer – zu Hörschäden führen.

4. Inbetriebnahme

- Beide Headsets sowie die Ladebox verfügen über einen wieder aufladbaren Akku. Vor der ersten Anwendung muss der Akku vollständig aufgeladen werden.
- Sie können entweder die Headsets direkt über die Ladebox aufladen oder den Akku der Ladebox aufladen. Damit können Sie die die Akkus der Headsets unterwegs und ohne externe Stromversorgung aufladen. Demnach dient die Ladebox als Stromspeicher für unterwegs.



Hinweis

Verwenden Sie immer nur das mitgelieferte USB-Ladekabel!

4.1 Laden der Headsets

- Stellen Sie sicher, dass die Headsets vor dem Aufladen ausgeschaltet sind.
- Legen Sie die beiden Headsets in die Ladebox ein.
- Besitzt der Akku der Ladebox noch genügend Restladung, startet der Ladevorgang der Headsets automatisch.
- Andernfalls starten Sie den Ladevorgang, indem Sie das beiliegende USB-Ladekabel an die Ladebuchse (10) und an den USB-Anschluss eines geeigneten USB-Ladegeräts anschließen. Beachten Sie hierzu die Bedienungsanleitung des verwendeten USB-Ladegeräts.
- Die Status-LEDs (3) der Headsets leuchten während des Ladevorgangs dauerhaft rot.
- Es dauert etwa 1 Stunde, bis der Akku eines Headsets geladen ist.
- Ist der Akku eines Headsets vollständig geladen, erlischt die Status-LED (3) des jeweiligen Headsets.
- Das Headset kann entnommen werden.

4.2 Laden der Ladebox

- Starten Sie den Ladevorgang, indem Sie das beiliegende USB-Ladekabel an die **Ladebuchse** (10) und an den USB-Anschluss eines geeigneten USB-Ladegeräts anschließen. Beachten Sie hierzu die Bedienungsanleitung des verwendeten USB-Ladegeräts.
- Die Status-LED der **Ladebox** (9) leuchtet während des Ladevorgangs dauerhaft rot.
- Es kann bis zu 2 Stunden dauern, bis der Akku vollständig geladen ist.
- Ist der Akku vollständig geladen, erlischt die **Status-LED** (9).
- Trennen Sie anschließend alle Kabel- und Netzverbindungen.



Hinweis

- Sind sowohl die Akkus der Headsets als auch der Ladebox leer, werden zuerst die Akkus der Headsets wieder aufgeladen. Im Anschluss wird dann der Akku der Ladebox aufgeladen (Status-LEDs (3) der Headsets erlöschen, Status-LED (9) der Ladebox leuchtet weiterhin rot).
- Mit dem vollgeladenen Akku der Ladebox können Sie beide Headsets etwa viermal komplett aufladen.

5. Betrieb

5.1 Ein-/ Ausschalten des Headsets

- **Einschalten:**
Halten Sie im ausgeschalteten Zustand die **Multifunktionstaste** (5) 6 Sekunden lang gedrückt, bis Sie die Sprachinformation „Power on“ hören. Die **Status-LED** (3) blinkt zunächst blau und dann einmal rot auf.
- **Ausschalten:**
Halten Sie im eingeschalteten Zustand die **Multifunktionstaste** (5) 4 Sekunden lang gedrückt, bis Sie die Sprachinformation

„Power off“ hören. Die **Status-LED** (3) leuchtet rot auf, bevor sich das Gerät abschaltet.

Beim ersten Einschalten wird automatisch das Pairing gestartet – **siehe 5.2. Bluetooth Erstverbindung (Pairing) – Headsets.**

5.2. Bluetooth Erstverbindung (Pairing) – Headsets.

- Zunächst müssen die beiden Headsets miteinander verbunden werden.
- Vergewissern Sie sich, dass beide Headsets ausgeschaltet sind.
- Drücken Sie die Multifunktionstaste (5) beider Headsets gleichzeitig ca. 8 Sekunden, bis die Status-LEDs (3) abwechselnd rot und blau aufleuchten.
- Die Headsets koppeln sich innerhalb von etwa 10 Sekunden automatisch. Im Anschluß können die Headsets mit einem Endgerät verbunden werden.
- Können die beiden Headsets nicht innerhalb von 2 Minuten eine Verbindung aufbauen, schalten sie sich automatisch ab.



Hinweis

- Wenn sich die Headsets einmal korrekt miteinander gekoppelt haben, wird sich das eine Headset automatisch an den Informationen des zuerst eingeschalteten/ gekoppelten Headsets orientieren.
- Somit müssen Sie bei zukünftigen Verbindungsversuchen mit Endgeräten lediglich die beiden Headsets einschalten und eines der beiden Headsets in den Pairing-Modus versetzen. Das andere Headset wird automatisch mitverbunden.

5.3. Bluetooth Erstverbindung (Pairing) mit Endgerät

- Die Headsets und das Endgerät sollten nicht weiter als 1 Meter voneinander entfernt sein. Je geringer der Abstand, desto besser.
- Stellen Sie sicher, dass die beiden Headsets eingeschaltet und miteinander gekoppelt sind.



Hinweis – Pairing

- Stellen Sie sicher, dass Ihr Bluetooth-fähiges Endgerät eingeschaltet ist und dass Bluetooth aktiviert ist.
 - Beachten Sie hierzu die Bedienungsanleitung Ihres Endgerätes.
- Öffnen Sie auf Ihrem Endgerät die Bluetooth Einstellungen und warten Sie bis in der Liste der gefundenen Bluetooth Geräte **FreeStereo Twins** angezeigt wird.
 - Wählen Sie **FreeStereo Twins** aus und warten Sie bis die Headsets als verbunden in den Bluetooth Einstellungen Ihres Endgerätes angezeigt werden.



Hinweis – Bluetooth Passwort

Manche Endgeräte benötigen für die Einrichtung der Verbindung mit einem anderen Bluetooth Gerät ein Passwort.

- Geben Sie für die Verbindung das Passwort **0000** ein, wenn Sie zur Eingabe von Ihrem Endgerät aufgefordert werden.



Hinweis

Wenn die Kopplung erfolgreich war, blinken die Status-LEDs (3) alle 5 Sekunden blau auf.

- Sie können die Headsets nun verwenden.

5.4. Automatische Bluetooth Verbindung (nach bereits erfolgtem Pairing)



Hinweis

- Stellen Sie sicher, dass Ihr Bluetooth-fähiges Endgerät eingeschaltet ist und dass Bluetooth aktiviert ist.
 - Beachten Sie hierzu die Bedienungsanleitung Ihres Endgerätes.
-
- Vergewissern Sie sich, dass die Headsets eingeschaltet sind.
 - Sie können auch nur eines der Headsets einschalten. Dieses verbindet sich nach einer erfolgreichen Erstverbindung automatisch mit dem Endgerät. Wird das andere Headset ebenfalls eingeschaltet, verbindet es sich mit dem zuerst eingeschalteten Headset und wird so ebenfalls automatisch mit dem Endgerät gekoppelt.
 - Nach einer erfolgreichen Erstverbindung erfolgt die Verbindung automatisch.
 - Sie können das Headset/ die Headsets nun verwenden.



Hinweis

- Wenn die Kopplung erfolgreich war, blinken die Status-LEDs (3) alle 5 Sekunden blau auf.
- Wenn die Kopplung nicht erfolgreich war, blinken die Status-LEDs (3) alle 5 Sekunden einmal ? auf und Sie müssen die Kopplung erneut durchführen.
- Gegebenenfalls müssen Sie die Einstellung auf dem Endgerät vornehmen, um die automatische Verbindung mit dem gekoppelten Headset zuzulassen.



Hinweis – Verbindung beeinträchtigt

Nach einer erfolgreichen Erstverbindung erfolgt die Verbindung automatisch. Sollte sich die Bluetooth Verbindung nicht automatisch wiederherstellen, prüfen Sie die folgenden Punkte:

- Kontrollieren Sie in den Bluetooth Einstellungen des Endgerätes, ob FreeStereo Twins verbunden sind. Wenn nicht, wiederholen Sie die unter **5.3. Bluetooth Erstverbindung (Pairing) mit Endgerät** genannten Schritte.
- Kontrollieren Sie, ob Hindernisse die Reichweite beeinträchtigen. Wenn ja, positionieren Sie die Geräte näher zueinander.
- Auch bei schwacher Batterie kann die Leistung beeinträchtigt sein.

5.5. Audio-Wiedergabe



Hinweis

- Beachten Sie, dass die Unterstützung einiger Funktionen von Ihrem Endgerät abhängig ist.
 - Beachten Sie hierzu die Bedienungsanleitung Ihres Endgerätes.
 - Die Funktionen lassen sich weiterhin auch direkt über das Endgerät steuern.
-
- Stellen Sie die Lautstärke Ihres Endgerätes auf ein niedriges Niveau ein.
 - Starten Sie die Audiowiedergabe auf dem verbundenen Endgerät.
 - Drücken Sie den Lautstärkeregler (+) (4), um die Lautstärke zu erhöhen.
 - Drücken Sie den Lautstärkeregler (-) (2), um die Lautstärke zu reduzieren.
 - Drücken und halten Sie Lautstärkeregler (+) (4), um zum nächsten Titel zu springen.
 - Drücken und halten Sie Lautstärkeregler (-) (2), um zum vorherigen Titel zu springen.

5.6. Freisprechfunktion



Hinweis

- Beachten Sie, dass die Unterstützung einiger Funktionen von Ihrem Endgerät abhängig ist.
- Beachten Sie hierzu die Bedienungsanleitung Ihres Endgerätes.
- Die Funktionen lassen sich weiterhin auch direkt über das Endgerät steuern.

Anruf tätigen

- Wählen Sie die Nummer direkt über Ihr Endgerät, um einen Anruf zu tätigen.

Anruf entgegennehmen

- Drücken Sie einmal die **Multifunktionsstaste** (5), um einen eingehenden Anruf anzunehmen.

Gespräch beenden

- Drücken Sie während des Gesprächs einmal die **Multifunktionsstaste** (5), um den Anruf zu beenden.

Wahlwiederholung

- Drücken Sie zweimal kurz die **Multifunktionsstaste** (5), um die Nummer des letzten Anrufs anzurufen.



Hinweis – Gesprächsqualität

Achten Sie darauf, dass Sie sich mit Ihrem Mobiltelefon während eines Anrufs in der Nähe der Headsets befinden, um die Gesprächsqualität zu erhöhen.

5.7. Lautstärkeregelung und Stummschaltung

- Drücken Sie den **Lautstärkeregler (-)** (2), um die Lautstärke zu reduzieren.
- Drücken Sie den **Lautstärkeregler (+)** (4), um die Lautstärke zu erhöhen.

5.8. Trennen des Headsets

- Schalten Sie das Headset aus.
- Trennen Sie das Headset über die Bluetooth Einstellungen Ihres Endgerätes.

5.9. Akkukapazität

- Um Energie zu sparen, schaltet sich das Headset automatisch aus, wenn es einige Zeit mit keinem Gerät verbunden wird.
- Bei geringer Akkukapazität ertönt alle 60 Sekunden die Sprachinformation „Low battery, please charge“ und die **Status-LED** (3) blinkt dreimal rot auf.
- Laden Sie das Headset – wie in **4. Inbetriebnahme** beschrieben – auf.
- Drücken Sie zweimal den Lautstärkeregler (-) (2), um die aktuelle Kapazität des Akkus zu erfahren.

| Verfügbare Gesprächszeit | Sprachinformation | Status-LED (2) |
|--------------------------|-------------------|-------------------|
| > 3,75 h | „Battery high“ | Blau → 3 Sekunden |
| 3,75 h – 0,75 h | „Battery medium“ | Blau → 3x blinken |
| < 0,75 h | „Battery low“ | Rot → 3x blinken |



Hinweis

- Beachten Sie, dass sich die Akkukapazität der beiden Headsets unterscheiden kann. Prüfen Sie daher die Akkukapazität der Headsets separat.
- Die verfügbare Gesprächs- bzw. Standby-Zeit hängt jedoch vom jeweils verwendeten Mobiltelefon oder sonstigen kompatiblen Bluetooth-Geräten sowie von den Benutzereinstellungen, Benutzerpräferenzen und jeweiligen Umgebungsbedingungen ab.

5.10. Reset/ Werkseinstellung

Probleme und Fehlfunktionen können möglicherweise durch Rücksetzung auf die Werkseinstellungen behoben werden.

- Drücken und halten Sie die Multifunktionstaste (5) sowie den Lautstärkeregler (-) (2) für ca. 8 Sekunden, um das Headset auf Werkseinstellungen zurückzusetzen.
- Beachten Sie, dass das Headset aktuell nicht mit einem Endgerät gekoppelt sein darf.

6. Wartung und Pflege

Reinigen Sie dieses Produkt nur mit einem fusselfreien, leicht feuchten Tuch und verwenden Sie keine aggressiven Reiniger. Achten Sie darauf, dass kein Wasser in das Produkt eindringt.

7. Haftungsausschluss

Die Hama GmbH & Co KG übernimmt keinerlei Haftung oder Gewährleistung für Schäden, die aus unsachgemäßer Installation, Montage und unsachgemäßem Gebrauch des Produktes oder einer Nichtbeachtung der Bedienungsanleitung und/oder der Sicherheitshinweise resultieren.


8. Service und Support

Bitte wenden Sie sich bei Fragen zum Produkt gerne an die Hama-Produktberatung.

Hotline: +49 9091 502-115 (Deu/Eng)

Weitere Supportinformationen finden sie hier:
www.hama.com

9. Technische Daten

| | |
|---|------------------------------|
|  | Bluetooth Headset |
| Bluetooth Technologie | Bluetooth V4.1 |
| Unterstützte Profile | A2DP, AVRCP, HSP, HFP |
| Reichweite | < 10 m |
|  | Akku Ladebox |
| Stromaufnahme | 5 V $\overline{=}$ 340 mA |
| Stromabgabe | 4,65 V $\overline{=}$ 340 mA |
| Batterietyp | Li-ion 3,7 V / 420 mAh |
| Aufladezeit | ~ 2h |
|  | Akku je Headset |
| Batterietyp | Li-ion 3,7 V / 40 mAh |
| Aufladezeit | ~ 1h |

10. Entsorgungshinweise

Hinweis zum Umweltschutz:



Ab dem Zeitpunkt der Umsetzung der europäischen Richtlinien 2012/19/EU und 2006/66/EG in nationales Recht gilt folgendes: Elektrische und elektronische Geräte sowie Batterien dürfen nicht mit dem Hausmüll entsorgt werden. Der Verbraucher ist gesetzlich verpflichtet, elektrische und elektronische Geräte sowie Batterien am Ende ihrer Lebensdauer an den dafür eingerichteten, öffentlichen Sammelstellen oder an die Verkaufsstelle zurückzugeben. Einzelheiten dazu regelt das jeweilige Landesrecht. Das Symbol auf dem Produkt, der Gebrauchsanleitung oder der Verpackung weist auf diese Bestimmungen hin. Mit der Wiederverwertung, der stofflichen Verwertung oder anderen Formen der Verwertung von Altgeräten/ Batterien leisten Sie einen wichtigen Beitrag zum Schutz unserer Umwelt.

11. Konformitätserklärung



Hiermit erklärt die Hama GmbH & Co KG, dass der Funkanlagentyp [00173858] der Richtlinie 2014/53/EU entspricht. Der vollständige Text der EU-Konformitätserklärung ist unter der folgenden Internetadresse verfügbar:

www.hama.com -> 00173858 -> Downloads.

| | |
|-------------------------------------|----------------|
| Frequenzband/ Frequenzbänder | 2402 - 2480MHz |
| Abgestrahlte maximale Sendeleistung | < 10mW EIRP |

F Mode d'emploi

Éléments de commande et d'affichage

1. Microphone
2. Volume (-)
3. LED d'état
4. Volume (+)
5. Touche multifonction
6. Contour d'oreille
7. Oreillettes
8. Contacts de charge
9. LED d'état de la station de recharge
10. Prise de charge

Nous vous remercions d'avoir choisi un produit Hama. Veuillez prendre le temps de lire l'ensemble des remarques et consignes suivantes. Veuillez conserver ce mode d'emploi à portée de main afin de pouvoir le consulter en cas de besoin. Transmettez-le au nouveau propriétaire avec l'appareil le cas échéant.

1. Explication des symboles d'avertissement et des remarques



Avertissement

Ce symbole est utilisé pour indiquer des consignes de sécurité ou pour attirer votre attention sur des dangers et risques particuliers.



Remarque

Ce symbole est utilisé pour indiquer des informations supplémentaires ou des remarques importantes.

2. Contenu de l'emballage

- 1 micro-casque Bluetooth FreeStereo Twins
- 1x Câble de charge USB
- 1x Station de recharge
- 4x Oreillettes
- 3x Contour d'oreille
- Mode d'emploi

3. Consignes de sécurité

- Ce produit est destiné à une installation domestique non commerciale.
- Protégez le produit de toute saleté, humidité, surchauffe et utilisez-le uniquement dans des locaux secs.
- Ne laissez pas le produit capter votre attention lorsque vous pilotez un véhicule ou un appareil de sport et veuillez concentrer toute votre attention à la circulation et à votre environnement.
- Protégez le produit des secousses violentes et évitez tout choc ou toute chute.
- N'utilisez pas le produit en dehors des limites de puissance indiquées dans les caractéristiques techniques.
- Ne tentez pas d'ouvrir le produit en cas de détérioration et cessez de l'utiliser.
- La batterie est installée de façon permanente et ne peut pas être retirée ; recyclez le produit en bloc conformément aux directives légales.
- Recyclez les matériaux d'emballage conformément aux prescriptions locales en vigueur.
- N'apportez aucune modification à l'appareil. Des modifications vous feraient perdre vos droits de garantie.



Avertissement concernant les batteries

- Utilisez exclusivement un chargeur approprié ou une connexion USB lors de la recharge.
- Cessez d'utiliser tout chargeur ou toute connexion USB défectueux et ne tentez pas de réparer ces derniers.
- Ne surchargez ou ne déchargez pas totalement le produit.
- Evitez un stockage, une charge ou une utilisation à des températures extrêmes.
- Nous vous recommandons de charger entièrement la batterie de l'appareil une fois tous les deux mois.



Avertissement volume excessif



- L'utilisation du produit limite votre perception des bruits ambiants. N'utilisez donc pas le produit lorsque vous conduisez un véhicule ou faites fonctionner une machine.
- Maintenez en permanence un niveau de volume raisonnable. Un volume excessif - même à courte durée - est susceptible d'endommager votre ouïe.

4. Mise en service

- Les deux micro-casques et la station de recharge disposent d'une batterie rechargeable.
- La batterie doit être totalement rechargée avant la première utilisation du micro-casque.
- Vous pouvez soit recharger les micro-casques directement sur la station de recharge, soit recharger la batterie de la station de recharge. Cet appareil vous permet de recharger les batteries de vos micro-casques lorsque vous êtes en déplacement, sans alimentation électrique externe. La station de recharge sert donc d'accumulateur de courant pour vos déplacements.



Remarque

Veillez toujours utiliser uniquement le câble de charge USB fourni !

4.1 Charge des micro-casques

- Assurez-vous que les micro-casques sont bien hors tension avant de commencer à les recharger.
- Insérez les deux micro-casques dans la station de recharge.
- Si la batterie de la station de recharge n'est que partiellement déchargée, le cycle de charge des micro-casques commence automatiquement.
- Si tel n'est pas le cas, démarrez le cycle de charge en branchant le câble de charge USB fourni à la prise de charge (10) et au port USB d'un chargeur USB adapté. Veuillez, dans ce cas, également consulter le mode d'emploi du chargeur USB utilisé.
- Les LED d'état (3) des micro-casques s'allument en rouge en permanence pendant la charge.
- La recharge de la batterie d'un micro-casque dure environ 1 heure.

-
- Lorsque la batterie d'un micro-casque est entièrement rechargée, la LED d'état (3) du micro-casque concerné s'éteint.
 - Le micro-casque peut alors être retiré.

4.2 Charge de la station de recharge

- Démarrez le cycle de charge en branchant le câble de charge USB fourni à la **prise de charge** (10) et au port USB d'un chargeur USB adapté. Veuillez, dans ce cas, également consulter le mode d'emploi du chargeur USB utilisé.
- La LED d'état de la **station de recharge** (9) s'allume en rouge en permanence pendant la charge.
- La charge de la batterie est susceptible de durer 2 heures.
- La **LED d'état** (9) éteinte dès que la batterie est entièrement chargée.
- Débranchez tous les câbles et les connexions secteur.



Remarque

- Si les batteries des micro-casques et de la station de recharge sont vides, veuillez d'abord recharger les batteries des micro-casques. La batterie de la station de recharge pourra être rechargée par la suite (les LED d'état (3) des micro-casques s'éteignent, la LED d'état (9) de la station de recharge reste rouge).
- Lorsque la batterie de la station de recharge est entièrement rechargée, vous pouvez entièrement recharger les deux micro-casques environ quatre fois.

5. Fonctionnement

5.1 Mise sous/hors tension du micro-casque

- **Mise sous tension (ON):**

À l'état éteint, maintenez la **touche multifonctions** (5) enfoncée pendant 6 secondes jusqu'à ce que vous entendiez le message vocal « Power on ». La **LED d'état** (3) clignote d'abord plusieurs fois en bleu, puis une fois en rouge.

- **Mise hors tension (OFF):**

À l'état allumé, maintenez la **touche multifonctions** (5) enfoncée pendant 4 secondes jusqu'à ce que vous entendiez le message vocal « Power off ». La **LED d'état** (3) s'allume en rouge avant que l'appareil ne s'éteigne.

Lors de la première mise sous tension, le couplage démarre automatiquement - voir **5.2. Première connexion Bluetooth (couplage) – Micro-casques.**

5.2. Première connexion Bluetooth (couplage) – Micro-casques.

- Tout d'abord, les deux micro-casques doivent être connectés entre eux.
- Assurez-vous que les deux micro-casques sont hors tension.
- Appuyez simultanément sur la touche multifonctions (5) des deux micro-casques pendant env. 8 secondes jusqu'à ce que les LED d'état (3) clignent alternativement en rouge/bleu.
- Le couplage des deux micro-casques s'effectue automatiquement dans un délai de 10 secondes environ. Les micro-casques peuvent ensuite être connectés à un appareil.
- Si les deux micro-casques ne sont pas en mesure d'établir une connexion dans un délai de 2 minutes, ils s'éteignent automatiquement.



Remarque

- Une fois le couplage mutuel des micro-casques correctement effectué, un micro-casque s'orientera automatiquement aux informations du micro-casque qui a été mis sous tension/ couplé en premier.
- Ainsi, pour les prochaines tentatives de connexion à des appareils, il vous suffira de mettre les deux micro-casques sous tension, puis de mettre l'un des deux micro-casques dans le mode de couplage. L'autre micro-casque sera automatiquement connecté.

5.3. Première connexion Bluetooth (couplage) à un appareil

- La distance entre les micro-casques et votre appareil ne devrait pas excéder 1 mètre. Plus la distance entre est petite, meilleure est la connexion.
- Assurez-vous que les deux micro-casques sont sous tension et couplés entre eux.



Remarque concernant le couplage

- Assurez-vous que votre appareil Bluetooth est bien sous tension et que sa fonction Bluetooth est bien activée.
- Veuillez également consulter le mode d'emploi de votre appareil.

- Ouvrez le menu des paramètres Bluetooth sur votre appareil portable et attendez que l'appareil **FreeStereo Twins** apparaisse dans la liste des appareils Bluetooth détectés.
- Sélectionnez l'appareil FreeStereo Twins, puis patientez jusqu'à ce que les micro-casques apparaissent en tant que connectés dans les paramètres Bluetooth de votre appareil.



Remarque concernant le mot de passe Bluetooth

Certains appareils portables nécessitent la saisie d'un mot de passe pour configurer la connexion à un appareil Bluetooth.

- Saisissez le mot de passe **0000**, dans le cas où l'appareil exige la saisie d'un mot de passe.



Remarque

Les LED d'état (3) clignotent toutes les 5 secondes en bleu en cas de couplage opérationnel.

- Vous pouvez commencer à utiliser les micro-casques.

5.4. Connexion Bluetooth automatique (après un premier couplage réussi)



Remarque

- Assurez-vous que votre appareil compatible Bluetooth est sous tension et que la fonction Bluetooth est activée.
- Veuillez également consulter le mode d'emploi de votre appareil.

-
- Assurez-vous que les micro-casques sont sous tension.
 - Vous ne pouvez mettre qu'un micro-casque sous tension. Celui-ci se connecte automatiquement à l'appareil après une première connexion réussie. Si l'autre micro-casque est mis sous tension également, celui-ci se connecte au micro-casque qui a été mis sous tension en premier. Il est alors couplé automatiquement à l'appareil.
 - Après une première connexion conforme, les connexions suivantes sont établies automatiquement.
 - Vous pouvez commencer à utiliser le(s) micro-casque(s).



Remarque

- Les LED d'état (3) clignotent toutes les 5 secondes en bleu en cas de couplage opérationnel.
- Les LED d'état (3) clignotent une fois toutes les 5 secondes en cas d'échec du couplage. Vous devez, dans ce cas, répéter la procédure de couplage.
- Le cas échéant, vous devrez paramétrer votre appareil afin d'autoriser la connexion automatique avec le micro-casque couplé.



Remarque concernant une mauvaise connexion

Après une première connexion conforme, les connexions suivantes sont établies automatiquement. Dans le cas où la connexion Bluetooth ne s'établit automatiquement, vérifiez les points suivants:

- Vérifiez, dans les paramètres Bluetooth de votre appareil, que les **FreeStereo Twins** sont bien connectés. Si ce n'est pas le cas, répétez les étapes décrites dans le paragraphe **5.3. Première connexion Bluetooth (couplage) à un appareil.**
- Vérifiez la présence d'obstacles susceptibles de réduire la portée. Si tel est le cas, rapprochez les appareils l'un de l'autre.
- Une pile faible est également susceptible d'influencer négativement le fonctionnement du produit.

5.5. Lecture audio



Remarque

- Veuillez noter que la prise en charge de certaines fonctions dépend de votre appareil.
 - Veuillez consulter le mode d'emploi de votre appareil à ce sujet.
 - Vous pourrez continuer à piloter directement les fonctions sur votre appareil.
- Réglez le volume de votre appareil à un niveau bas.
 - Lancez la lecture audio sur l'appareil connecté.
 - Utilisez la touche de réglage du volume (+) (4) pour augmenter le volume.
 - Utilisez la touche de réglage du volume (-) (2) pour diminuer le volume.

-
- Appuyez sur la touche de réglage du volume (+) (4) et maintenez-la enfoncée afin de passer au titre suivant.
 - Appuyez sur la touche de réglage du volume (-) (2) et maintenez-la enfoncée afin de passer au titre précédent.

5.6. Fonction mains libres



Remarque

- Veuillez noter que la prise en charge de certaines fonctions dépend de votre appareil.
- Veuillez consulter le mode d'emploi de votre appareil à ce sujet.
- Vous pourrez continuer à piloter directement les fonctions sur votre appareil.

Effectuer un appel

- Composez le numéro directement sur votre appareil afin d'effectuer un appel.

Recevoir un appel

- Appuyez une fois sur la **touche multifonctions** (5) afin de répondre à un appel entrant.

Mettre fin à un appel

- Pendant une conversation, appuyez une fois sur la **touche multifonctions** (5) afin de terminer un appel.

Rappel du dernier numéro composé

- Appuyez brièvement 2 fois sur la **touche multifonctions** (5) afin d'appeler le numéro du dernier appel.



Remarque concernant la qualité de la communication

Pendant un appel, veillez à rester avec votre téléphone portable à proximité des micro-casques afin d'augmenter la qualité de la conversation.

5.7. Réglage du volume et mise en sourdine

- Utilisez la touche de **réglage du volume (-)** (2) pour diminuer le volume.
- Utilisez la touche de **réglage du volume (+)** (4) pour augmenter le volume.

5.8. Déconnexion du micro-casque

- Mettez le micro-casque hors tension.
- Déconnectez le micro-casque à l'aide des paramètres Bluetooth de votre appareil.

5.9. Capacité de la batterie

- Le micro-casque se met automatiquement hors tension après une longue interruption de connexion afin d'économiser de l'énergie.
- En cas de batterie faible, vous entendez le message vocal « Low battery, please charge » toutes les 60 secondes et la **LED d'état** (3) clignote trois fois en rouge.
- Chargez alors le kit mains-libres – comme décrit au point **4. Mise en service**.
- Appuyez deux fois sur le bouton de réglage du volume (-) (2) afin de connaître la capacité actuelle de la batterie.

| Autonomie en conversation disponible | Message vocal | LED d'état (2) |
|--------------------------------------|------------------|---------------------|
| > 3,75 h | „Battery high“ | Bleu → 3 secondes |
| 3,75 h – 0,75 h | „Battery medium“ | Bleu → clignote 3x |
| < 0,75 h | „Battery low“ | Rouge → clignote 3x |



Remarque

- Veuillez noter que la capacité de la batterie d'un micro-casque peut être différente de la capacité de la batterie de l'autre micro-casque. Veuillez donc vérifier leur capacité séparément.
- Il est possible que les temps de veille et de conversation indiqués diffèrent en fonction du type de téléphone portable ou d'appareil Bluetooth utilisé, des paramètres d'utilisation, du style d'utilisation et de l'environnement.

5.10. Réinitialisation / Réglages d'usine

Les problèmes et les dysfonctionnements peuvent éventuellement être réparés avec le rétablissement des paramètres par défaut.

- Appuyez sur la touche multifonctions (5) et la touche de réglage du volume (-) (2) et maintenez-les enfoncées pendant env. 8 secondes afin de réinitialiser le micro-casque et de rétablir les réglages d'usine.
- Veuillez noter qu'il ne faut pas que le micro-casque soit couplé à un appareil.

6. Soins et entretien

Nettoyez ce produit uniquement à l'aide d'un chiffon non pelucheux légèrement humide ; évitez tout détergent agressif. Veillez à ce qu'aucun liquide ne pénètre dans le produit.

7. Exclusion de garantie

La société Hama GmbH & Co KG décline toute responsabilité en cas de dommages provoqués par une installation, un montage ou une utilisation non conformes du produit ou encore provoqués par un non respect des consignes du mode d'emploi et/ou des consignes de sécurité.




8. Service et assistance

En cas de question concernant le produit, veuillez vous adresser au service de conseil produits de Hama.

Ligne téléphonique directe : +49 9091 502-115 (allemand/anglais)

Vous trouverez ici de plus amples informations concernant l'assistance : www.hama.com

9. Caractéristiques techniques

| | |
|---|------------------------------------|
|  | Micro-casque Bluetooth |
| Technologie Bluetooth | Bluetooth V4.1 |
| Profils supportés | A2DP, AVRCP, HSP, HFP |
| Portée | < 10 m |
|  | Batterie de la station de recharge |
| Consommation de courant | 5 V \approx 340 mA |
| Débit de courant | 4,65 V \approx 340 mA |
| Type de pile | Lithium-Ion 3,7 V / 420 mAh |
| Temps de recharge | ~ 2h |
|  | Batterie de chaque micro-casque |
| Type de pile | Lithium-Ion 3,7 V / 40 mAh |
| Temps de recharge | ~ 1h |

10. Consignes de recyclage

Remarques concernant la protection de l'environnement:



Conformément à la directive européenne 2012/19/EU et 2006/66/CE, et afin d'atteindre un certain nombre d'objectifs en matière de protection de l'environnement, les règles suivantes doivent être appliquées: Les appareils électriques et électroniques ainsi que les batteries ne doivent pas être éliminés avec les déchets ménagers. Le pictogramme "picto" présent sur le produit, son manuel d'utilisation ou son emballage indique que le produit est soumis à cette réglementation. Le consommateur doit retourner le produit/la batterie usager aux points de collecte prévus à cet effet. Il peut aussi le remettre à un revendeur. En permettant enfin le recyclage des produits ainsi que les batteries, le consommateur contribuera à la protection de notre environnement. C'est un acte écologique.

11. Déclaration de conformité



Le soussigné, Hama GmbH & Co KG, déclare que l'équipement radioélectrique du type [00173858] est conforme à la directive 2014/53/UE. Le texte complet de la déclaration UE de conformité est disponible à l'adresse internet suivante:

www.hama.com -> 00173858 -> Downloads.

| | |
|--------------------------------------|----------------|
| Bandes de fréquences | 2402 - 2480MHz |
| Puissance de radiofréquence maximale | < 10mW EIRP |

E Instrucciones de uso

Elementos de manejo e indicadores

1. Micrófono
2. Regulador de volumen (-)
3. LED de estado
4. Regulador de volumen (+)
5. Tecla multifunción
6. Arco de oreja
7. Almohadillas
8. Contactos de carga
9. LED de estado caja de carga
10. Hembrilla de carga

Le agradecemos que se haya decidido por un producto de Hama. Tómese tiempo y léase primero las siguientes instrucciones e indicaciones. Después, guarde estas instrucciones de manejo en un lugar seguro para poder consultarlas cuando sea necesario. Si vende el aparato, entregue estas instrucciones de manejo al nuevo propietario.

1. Explicación de los símbolos de aviso y de las indicaciones



Aviso

Se utiliza para caracterizar las indicaciones de seguridad o para llamar la atención sobre peligros y riesgos especiales.



Nota

Se utiliza para caracterizar informaciones adicionales o indicaciones importantes.

2. Contenido del paquete

- 1 Headset Bluetooth FreeStereo Twins
- 1 Cable de carga USB
- 1 Caja de carga
- 4 Almohadillas
- 3 Arco de oreja
- Estas instrucciones de manejo

3. Instrucciones de seguridad

- El producto es para el uso doméstico privado, no comercial.
- Proteja el producto de la suciedad, la humedad y el sobrecalentamiento y utilícelo sólo en recintos secos.
- Durante los desplazamientos con un vehículo o aparato deportivo, no se distraiga con el producto y preste atención al tráfico y a su entorno.
- No deje caer el producto ni lo someta a sacudidas fuertes.
- No opere el producto fuera de los límites de potencia indicados en los datos técnicos.
- No abra el producto y no lo siga operando de presentar deterioros.
- La pila recargable está montada de forma fija y no se puede retirar, deseche el producto como una unidad y en conformidad con los reglamentos locales.
- Deseche el material de embalaje en conformidad con las disposiciones locales sobre el desecho vigentes.
- No realice cambios en el aparato. Esto conllevaría la pérdida de todos los derechos de la garantía.



Aviso – Batería

- Utilice solo cargadores adecuados o conexiones USB para cargar.
- No siga utilizando cargadores o conexiones USB defectuosos y no intente repararlos.
- No sobrecargue ni descargue en profundidad el producto.
- Evite almacenar, cargar y usar las pilas en condiciones de temperatura extrema.
- En caso de almacenamiento prolongado, cargue regularmente (mín. trimestralmente).



Aviso – Volúmen alto



- El uso del producto le limita la percepción de ruidos del entorno. Por tanto, no maneje vehículos o máquinas mientras usa el producto.
- Mantenga siempre el volumen a un nivel razonable. Los volúmenes altos pueden causar daños auditivos, también en caso de exposición breve a ellos.

4. Puesta en funcionamiento

- Ambos headsets y la caja de carga cuentan con una batería recargable. La batería debe haberse cargado completamente antes del primer uso.
- Puede cargar los headsets directamente mediante la caja de carga o cargar la batería de la caja de carga. De esta forma puede cargar las baterías de los headsets durante sus desplazamientos y sin alimentación de corriente externa. Así, la caja de carga sirve como acumulador de corriente para sus desplazamientos.



Nota

Emplee siempre y exclusivamente el cable de carga USB suministrado.

4.1 Carga de los headsets

- Asegúrese de que los headsets están apagados antes de proceder a su carga.
- Coloque ambos headsets en la caja de carga.
- Si la batería de la caja de carga cuenta con suficiente carga residual, el proceso de carga de los headsets se inicia automáticamente.
- De no ser así, inicie el proceso de carga conectando el cable de carga USB adjunto a la hembra de carga (10) y al puerto USB de un cargador USB apropiado. Para ello, tenga en cuenta las instrucciones de manejo del cargador USB utilizado.
- Los LEDs de estado (3) de los headsets lucen de color rojo de manera continua durante el proceso de carga.
- La carga de la batería de un headset dura aprox. 1 hora.
- Cuando la batería de un headset está completamente cargada, el LED de estado (3) correspondiente al headset en cuestión se apaga.
- El headset puede retirarse en ese momento.

4.2 Carga de la caja de carga

- Inicie el proceso de carga conectando el cable de carga USB adjunto a la **hembrilla de carga** (10) y al puerto USB de un cargador USB apropiado. Para ello, tenga en cuenta las instrucciones de manejo del cargador USB utilizado.
- El LED de estado de la **caja de carga** (9) luce de color rojo de manera continua durante el proceso de carga.
- Pueden transcurrir hasta 2 horas hasta que la batería esté totalmente cargada.
- Una vez cargada completamente la batería, el **LED de estado** (9) apagado.
- Seguidamente, interrumpa todas las conexiones por cable y de red.



Nota

- Si tanto las baterías de los headsets como la caja de carga están descargadas, se cargan, en primer lugar, las baterías de los headsets. Seguidamente se carga la batería de la caja de carga (los LEDs de estado (3) de los headsets se apagan, el LED de estado (9) de la caja de carga permanece iluminado de color rojo).
- Con una carga completa de la batería de la caja de carga puede efectuar aproximadamente cuatro cargas completas de ambos headsets.

5. Funcionamiento

5.1 Conexión/desconexión del headset

- **Encendido:**

Con el dispositivo apagado, mantenga pulsada la **tecla de multifunción** (5) durante 6 segundos, hasta que oiga la información por voz «Power on». El **LED de estado** (3) parpadea primero de color azul y, seguidamente, una sola vez de color rojo.

- **Apagado:**

Con el dispositivo encendido, mantenga pulsada la **tecla de multifunción** (5) durante 4 segundos, hasta que oiga la información por voz «Power on». El **LED de estado** (3) luce de color rojo antes de la desconexión del dispositivo.

Durante el primer encendido se inicia automáticamente el proceso de vinculación – véase **5.2. Conexión inicial Bluetooth (vinculación) – Headsets**.

5.2. Conexión inicial Bluetooth (vinculación) – Headsets

- En primer lugar deben conectarse ambos headsets entre sí.
- Asegúrese de que ambos headsets están apagados.
- Pulse la tecla de multifunción (5) de ambos headsets simultáneamente durante aprox. 8 segundos hasta que los LEDs de estado (3) se enciendan alternando los colores rojo y azul.
- Los headsets se vinculan automáticamente transcurridos aproximadamente 10 segundos. Seguidamente, puede conectar los headsets a su terminal.
- Si los headsets no consiguen establecer una conexión dentro de los 2 minutos siguientes, se apagan automáticamente.



Nota

- Una vez que los headsets se hayan podido vincular una vez entre sí correctamente, uno de los headsets se orientará automáticamente según los datos del headset encendido/vinculado en primer lugar.
- Así, en futuros intentos de conexión con terminales, solo necesitará encender ambos headsets y poner uno de los dos headsets en el modo Pairing (de vinculación). El otro headset se conecta automáticamente.

5.3. Conexión inicial Bluetooth (vinculación) con un terminal

- Entre los headsets y el terminal no debería haber más de 1 metro de separación. Cuanto menor sea la distancia entre ellos, mejor.
- Asegúrese de que ambos headsets están encendidos y vinculados entre sí.



Nota – Vinculación

- Asegúrese de que su terminal compatible con Bluetooth está encendido y de que se ha activado Bluetooth.
 - Observe también las instrucciones de uso de su terminal.
-
- En el terminal, abra la configuración Bluetooth y espere hasta que se muestre **FreeStereo Twins** en la lista de los dispositivos Bluetooth encontrados.
 - Seleccione **FreeStereo Twins** y espere hasta que los headsets se muestren como conectados en la configuración Bluetooth de su terminal.



Nota – Contraseña Bluetooth

Algunos terminales requieren una contraseña para la configuración de la conexión con otros dispositivos Bluetooth.

- Introduzca la contraseña **0000** para la conexión si el terminal lo requiriese.



Nota

Si la vinculación se ha realizado correctamente, los LEDs de estado (3) parpadean de color azul cada 5 segundos.

- Ahora puede utilizar los headsets.

5.4. Conexión Bluetooth automática (una vez realizada la vinculación)



Nota

- Asegúrese de que su terminal compatible con Bluetooth está encendido y de que se ha activado Bluetooth.
- Observe también las instrucciones de uso de su terminal.

-
- Asegúrese de que ambos headsets están encendidos.
 - También puede encender solo uno de los headsets. Este se conectará automáticamente con el terminal una vez que la conexión inicial se haya efectuado correctamente. Si se enciende también el otro headset, este se conecta con el headset encendido en primer lugar, quedando así vinculando automáticamente con el terminal.
 - La conexión se establece de forma automática tras el establecimiento correcto de la conexión inicial.
 - Ahora puede utilizar el headset/los headsets.



Nota

- Si la vinculación se ha realizado correctamente, los LEDs de estado (3) parpadean de color azul cada 5 segundos.
- Si la vinculación no se ha realizado correctamente, los LEDs de estado (3) parpadean una sola vez cada 5 segundos, debiendo usted efectuar nuevamente la vinculación.
- De ser necesario, puede que deba efectuar los ajustes necesarios en el terminal para permitir la conexión automática con el headset vinculado.



Nota - Fallo en la conexión

La conexión se establece de forma automática tras el establecimiento correcto de la conexión inicial. De no establecerse la conexión Bluetooth de forma automática, compruebe los siguientes puntos:

- Compruebe, en la configuración Bluetooth del terminal, si **FreeStereo Twins** aparecen como conectados. De no ser así, repita los pasos indicados en **5.3. Conexión inicial Bluetooth (vinculación) con un terminal**.
- Verifique la presencia de obstáculos que puedan afectar al alcance. De haberlos, reduzca la separación entre los dispositivos.
- El rendimiento también puede verse afectado por una carga baja de la pila.

5.5. Reproducción de audio



Nota

- Tenga en cuenta que la compatibilidad con algunas de las funciones depende de su terminal.
- Observe también las instrucciones de uso de su terminal.
- Puede seguir controlando las funciones directamente desde el terminal.
- Baje el volumen de su terminal.
- Inicie la reproducción de audio en el terminal conectado.
- Pulse el regulador de volumen (+) (4) para subir el volumen.
- Pulse el regulador de volumen (-) (2) para disminuir el volumen.
- Pulse y mantenga pulsado el regulador de volumen (+) (4) para saltar al siguiente título.

-
- Pulse y mantenga pulsado el regulador de volumen (-) (2) para saltar al título anterior.

5.6. Función de manos libres



Nota

- Tenga en cuenta que la compatibilidad con algunas de las funciones depende de su terminal.
- Observe también las instrucciones de uso de su terminal.
- Puede seguir controlando las funciones directamente desde el terminal.

Realizar una llamada

- Marque el número directamente desde su terminal para realizar una llamada.

Contestar una llamada

- Pulse una vez la **tecla de multifunción** (5) para aceptar una llamada entrante.

Finalizar una llamada

- Durante la conversación, pulse una vez la **tecla de multifunción** (5) para finalizar la llamada.

Rellamada

- Pulse dos veces la **tecla de multifunción** (5), brevemente, para llamar al número de la última llamada.
- Oirá un tono breve de señal.



Nota – Calidad de audio

Durante las llamadas, manténgase, junto con el teléfono móvil, cerca del headset, para aumentar la calidad de audio.

5.7. Regulación del volumen y silenciamiento

- Pulse el **regulador de volumen (-)** (2) para disminuir el volumen.
- Pulse el **regulador de volumen (+)** (4) para subir el volumen.

5.8. Desconexión del headset

- Apague el headset.
- Desconecte el headset mediante los ajustes de Bluetooth de su terminal.

5.9. Capacidad de la batería

- Para ahorrar energía, el headset se desconecta automáticamente si no se conecta con un dispositivo durante cierto tiempo.
- Si la capacidad de la batería es baja, cada 60 segundos se emite la información por voz «Low battery, please charge» y los **LEDs de estado** (3) parpadean tres veces de color rojo.
- Cargue el headset, como se describe en **4. Puesta en funcionamiento**.
- Pulse dos veces el regulador de volumen (-) (2) para consultar la capacidad actual de la batería.

| Tiempo en conversación disponible | Información por voz | LED de estado (2) |
|-----------------------------------|---------------------|--------------------|
| > 3,75 h | „Battery high“ | Azul → 3 segundos |
| 3,75 h – 0,75 h | „Battery medium“ | Azul → 3 parpadeos |
| < 0,75 h | „Battery low“ | Rojo → 3 parpadeos |



Nota

- Tenga en cuenta que la capacidad de la batería de ambos headsets puede diferir. Por ello, consulte por separado la capacidad de la batería de cada headset.
- El tiempo de conversación o en standby disponible depende, no obstante, del teléfono móvil o los dispositivos Bluetooth compatibles empleados, así como de los ajustes del usuario, las preferencias del usuario y las condiciones concretas del entorno

5.10. Reseteo/ajustes de fábrica

Algunos problemas y fallos en el funcionamiento pueden solucionarse restableciendo los ajustes de fábrica.

- Pulse y mantenga pulsada la tecla de multifunción (5) y el regulador de volumen (-) (2) durante aprox. 8 segundos para restablecer el headset a los ajustes de fábrica.
- Tenga en cuenta que el headset no debe estar vinculado con ningún terminal en ese momento.

6. Mantenimiento y cuidado

Limpié este producto sólo con un paño ligeramente humedecido que no deje pelusas y no utilice detergentes agresivos. Asegúrese de que no entre agua en el producto.

7. Exclusión de responsabilidad

Hama GmbH & Co KG no se responsabiliza ni concede garantía por los daños que surjan por una instalación, montaje o manejo incorrectos del producto o por la no observación de las instrucciones de manejo y/o de las instrucciones de seguridad.

8. Servicio y soporte


Si tiene que hacer alguna consulta sobre el producto, diríjase al asesoramiento de productos Hama.

Línea directa: +49 9091 502-115 (Alemán/Inglés)

Encontrar más información de soporte aquí:

www.hama.com

9. Datos técnicos

| | |
|---|-----------------------------|
|  | Headset Bluetooth |
| Tecnología Bluetooth | Bluetooth V4.1 |
| Perfiles soportados | A2DP, AVRCP, HSP, HFP |
| Alcance | < 10 m |
|  | Batería caja de carga |
| Consumo de corriente | 5 V \equiv 340 mA |
| Salida de corriente | 4,65 V \equiv 340 mA |
| Tipo de pila | Lithium-Ion 3,7 V / 420 mAh |
| Tiempo de carga | ~ 2h |
|  | Batería para cada headset |
| Tipo de pila | Lithium-Ion 3,7 V / 40 mAh |
| Tiempo de carga | ~ 1h |

10. Instrucciones para desecho y reciclaje

Nota sobre la protección medioambiental:



Después de la puesta en marcha de la directiva Europea 2012/19/EU y 2006/66/EU en el sistema legislativo nacional, se aplicara lo siguiente: Los aparatos eléctricos y electrónicos, así como las baterías, no se deben evacuar en la basura doméstica. El usuario está legalmente obligado a llevar los aparatos eléctricos y electrónicos, así como pilas y pilas recargables, al final de su vida útil a los puntos de recogida comunales o a devolverlos al lugar donde los adquirió. Los detalles quedaran definidos por la ley de cada país. El símbolo en el producto, en las instrucciones de uso o en el embalaje hace referencia a ello. Gracias al reciclaje, al reciclaje del material o a otras formas de reciclaje de aparatos/pilas usados, contribuye Usted de forma importante a la protección de nuestro medio ambiente.

11. Declaración de conformidad



Por la presente, Hama GmbH & Co KG, declara que el tipo de equipo radioeléctrico [00173858] es conforme con la Directiva 2014/53/UE. El texto completo de la declaración UE de conformidad está disponible en la dirección Internet siguiente:

www.hama.com -> 00173858 -> Downloads.

| | |
|------------------------------------|----------------|
| Banda o bandas de frecuencia | 2402 - 2480MHz |
| Potencia máxima de radiofrecuencia | < 10mW EIRP |

NL Gebruiksaanwijzing

Bedieningselementen en weergaven

1. Microfoon
2. Volumeregelaar (-)
3. Status-LED
4. Volumeregelaar (+)
5. Multifunctionele toets
6. Oorbeugel
7. Oorkussen
8. Laadcontacten
9. Status-LED laadbox
10. Laadpoort

Hartelijk dank dat u voor een product van Hama heeft gekozen. Neem de tijd om de volgende aanwijzingen en instructies volledig door te lezen. Berg deze gebruiksaanwijzing vervolgens op een goede plek op zodat u hem als naslagwerk kunt gebruiken. Op zodat u hem als naslagwerk kunt gebruiken. Mocht u het toestel verkopen, geeft u dan ook deze gebruiksaanwijzing aan de nieuwe eigenaar.

1. Verklaring van waarschuwingssymbolen en instructies



Waarschuwing

Wordt gebruikt voor veiligheidsinstructies of om de aandacht te trekken op bijzondere gevaren en risico's.



Aanwijzing

Wordt gebruikt voor extra informatie of belangrijke informatie.

2. Inhoud van de verpakking

- 1x Bluetooth-headset FreeStereo Twins
- 1x USB-laadkabel
- 1x Laadbox
- 4x Oorkussen
- 3x Oorbeugel
- deze bedieningsinstructies

3. Veiligheidsinstructies

- Het product is bedoeld voor niet-commercieel privegebruik in huiselijke kring.
- Bescherm het product tegen vuil, vocht en oververhitting en gebruik het alleen in droge omgevingen.
- Laat u zich op weg met een motorvoertuig of sporttoestel niet door uw product afleiden en let op de verkeerssituatie en uw omgeving.
- Laat het product niet vallen en stel het niet bloot aan zware schokken of stoten.
- Gebruik het product niet buiten de in de technische gegevens vermelde vermogensgrenzen.
- Open het product niet en gebruik het niet meer als het beschadigd is.
- De accu is vast ingebouwd en kan niet worden verwijderd, voer het product derhalve als één geheel af overeenkomstig de wettelijke voorschriften.
- Het verpakkingsmateriaal direct en overeenkomstig de lokaal geldende afvoervoorschriften afvoeren.
- Verander niets aan het toestel. Daardoor vervalt elke aanspraak op garantie.



Waarschuwing – accu

- Gebruik alleen geschikte laadapparatuur of USB-aansluitingen voor het opladen.
- Gebruik defecte laadapparatuur of USB-aansluitingen niet meer en probeer ze niet te repareren.
- Het op te laden product niet overladen of diepontladen.
- Opbergen, opladen en gebruiken bij extreme temperaturen vermijden.
- Indien de accu's gedurende langere tijd worden opgeborgen, dienen ze ten minste elke 3 maanden te worden opgeladen.



Waarschuwing – hoog volume



- De gebruikmaking van het product beperkt u in de waarneming van omgevingsgeluiden. Bedient u om deze reden tijdens het gebruik ervan geen voertuigen of machines.
- Houd het geluidsvolume altijd op een acceptabel niveau. Hoge geluidsvolumen kunnen – zelfs kortstondig – tot gehoorbeschadiging leiden.

4. Inbedrijfstelling

- Beide headsets alsmede de laadbox beschikken over een oplaadbare accu. Vóór het eerste gebruik dient de accu volledig te worden opgeladen.
- U kunt ofwel de headsets direct via de laadbox opladen ofwel de accu van de laadbox opladen. Daarmee kunt u de accu's van de headsets onderweg en zonder externe spanningsvoorziening opladen. Derhalve dient de laadbox als stroomvoorraad voor onderweg.



Aanwijzing

Gebruik te allen tijde alleen de meegeleverde USB-kabel!

4.1 Headsets opladen

- Controleer dat de headsets zijn uitgeschakeld voordat met het opladen wordt begonnen.
- Plaats de beide headsets in de laadbox.
- Indien de accu van de laadbox nog over voldoende laadcapaciteit beschikt, dan start het opladen van de headsets automatisch.
- Anders start u het opladen door de meegeleverde USB-oplaadkabel op de laadpoort (10) en op de USB-aansluiting van een geschikte USB-oplader aan te sluiten. Neem hiervoor de bedieningsinstructies van de gebruikte USB-oplader in acht.
- De status-LEDs (3) van de headsets branden tijdens het opladen constant rood.
- Het duurt ongeveer 1 uur voordat de accu van een headset is opgeladen.
- Zodra de accu van een headset volledig is opgeladen, gaat de status-LED (3) van de betreffende headset uit.
- De headset kan nu worden weggenomen.

4.2 Opladen van de laadbox

- Start het opladen door de meegeleverde USB-oplaadkabel op de **laadpoort** (10) en op de USB-aansluiting van een geschikte USB-oplader aan te sluiten. Neem hiervoor de bedieningsinstructies van de gebruikte USB-oplader in acht.
- De status-LED van de **laadbox** (9) brandt tijdens het opladen constant rood.
- Het kan max. 2 uur duren voordat de accu volledig is opgeladen.
- Zodra de accu volledig is opgeladen gaat de **status-LED** (9) uit.
- Aansluitend alle kabel- en netwerkverbindingen scheiden.



Aanwijzing

- Zijn zowel de accu's van de headsets als ook van de laadbox leeg, dan worden allereerst de accu's van de headsets weer opgeladen. Vervolgens wordt de accu van de laadbox opgeladen (status-LEDs (3) van de headsets gaan uit, status-LED (9) van de laadbox brandt nog steeds rood).
- Met de volledig opgeladen accu van de laadbox kunt u beide headsets ongeveer viermaal compleet opladen.

5. Gebruik en werking

5.1 In-/Uitschakelen

- **Inschakelen:**

Houd in een uitgeschakelde toestand de **multifunctionele toets** (5) gedurende 6 seconden ingedrukt totdat u de gesproken informatie "Power on" hoort. De **status-LED** (3) knippert allereerst blauw en dan eenmaal rood.

- **Uitschakelen:**

Houd in een uitgeschakelde toestand de **multifunctionele toets** (5) gedurende 4 seconden ingedrukt totdat u de gesproken informatie "Power off" hoort. De **status-LED** (3) brandt rood voordat het toestel zich uitschakelt.

Bij de eerste maal inschakelen wordt automatisch de pairing gestart – zie **5.2. De eerste maal een Bluetooth-verbinding tot stand brengen (pairing/koppelen) – headsets.**

5.2. De eerste maal een Bluetooth-verbinding tot stand brengen (pairing/koppelen) – headsets.

- Allereerst moeten de beide headsets met elkaar worden verbonden.
- Controleer dat beide headsets zijn uitgeschakeld.
- Houd de multifunctionele toets (5) van beide headsets gedurende ca. 8 seconden ingedrukt totdat de status-LEDs (3) afwisselend rood en blauw branden.
- De headsets koppelen zich binnen ca. 10 seconden automatisch. Vervolgens kunnen de headsets met een eindtoestel worden verbonden.
- Kunnen de beide headsets niet binnen 2 minuten een verbinding tot stand brengen, dan schakelen zij zich automatisch uit.



Aanwijzing

- Indien de headsets zich eenmaal correct met elkaar hebben gekoppeld, dan zal de ene headset zich automatisch aan de informatie van de als eerste ingeschakelde/gekoppelde headset oriënteren.
- Bijgevolg hoeft u bij de toekomstige verbindingsoogingen met eindtoestellen slechts de beide headsets in te schakelen en een van beide headsets in de pairing-modus te plaatsen. De andere headset wordt automatisch verbonden.

5.3. De eerste maal een Bluetooth-verbinding tot stand brengen (pairing/koppelen) met eindtoestel.

- De headsets en het eindtoestel dienen niet meer dan 1 meter van elkaar te zijn verwijderd. Hoe dichterbij elkaar, des te beter.
- Controleer dat de beide headsets zijn ingeschakeld en met elkaar zijn gekoppeld.



Aanwijzing – pairing/koppelen

- Controleer of uw eindapparaat met Bluetooth-functie is ingeschakeld en of de Bluetooth-functie is geactiveerd.
- Lees hiervoor de bedieningsinstructies van uw eindtoestel.
- Open op uw eindtoestel de Bluetooth-instellingen en wacht totdat in de lijst van gevonden Bluetooth-apparatuur FreeStereo Twins wordt weergegeven.
- Selecteer FreeStereo Twins en wacht tot de headsets als zijnde “verbonden” in de Bluetooth-instellingen van uw eindtoestel worden weergegeven.



Aanwijzing – Bluetooth password

Sommige toestellen hebben voor het tot stand brengen van de verbinding met een ander Bluetooth-toestel een password nodig.

- Voer voor de verbinding het password **0000** in, indien uw eindtoestel de invoer van een password verlangt.



Aanwijzing

Indien de koppeling succesvol was, dan knipperen de status-LEDs (3) iedere 5 seconden blauw.

- U kunt de headsets nu gebruiken.

5.4. Automatische Bluetooth-verbinding (na een reeds uitgevoerde pairing)



Aanwijzing

- Controleer of uw eindapparaat met Bluetooth-functie is ingeschakeld en of de Bluetooth-functie is geactiveerd.
 - Lees hiervoor de bedieningsinstructies van uw eindtoestel.
-
- Controleer dat beide headsets zijn ingeschakeld.
 - U kunt ook slechts een van de headsets inschakelen. Deze verbindt zich na een succesvolle eerste verbinding automatisch met het eindtoestel. Indien de andere headset tevens wordt ingeschakeld, dan verbindt deze zich met de als eerste ingeschakelde headset en wordt op deze manier tevens automatisch met het eindtoestel gekoppeld.

- Nadat de eerste verbinding succesvol tot stand is gebracht wordt de verbinding normaliter steeds weer automatisch uitgevoerd.
- U kunt de headset(s) nu gebruiken.



Aanwijzing

- Indien de koppeling succesvol was, dan knipperen de status-LEDs (3) iedere 5 seconden blauw.
- Indien de koppeling niet succesvol was, dan knipperen de status-LEDs (3) iedere 5 seconden eenmaal blauw en dient de koppeling opnieuw te worden uitgevoerd.
- Eventueel dient u de instelling op het eindtoestel uit te voeren om de automatische verbinding met de gekoppelde headset toe te staan.



Aanwijzing – verbinding stagneert

Nadat de eerste verbinding succesvol tot stand is gebracht wordt de verbinding normaliter steeds weer automatisch uitgevoerd. Indien de Bluetooth-verbinding echter niet wederom automatisch tot stand wordt gebracht, dienen de hieronder vermelde punten te worden gecontroleerd:

- Controleer in de Bluetooth-instellingen van uw eindtoestel of FreeStereo Twins zijn verbonden. Is dit niet het geval, dan herhaalt u de onder **5.3. De eerste maal een Bluetooth-verbinding tot stand brengen (pairing/koppelen) met eindtoestel** genoemde stappen.
- Controleer of obstakels het bereik negatief beïnvloeden. Indien dit het geval is, dan plaatst u de toestellen dicht bij elkaar.
- Ook kan bij een zwakke accu het zendvermogen beperkt zijn

5.5. Audioweergave



Aanwijzing

- Let erop dat de ondersteuning van enige functies afhankelijk is van uw eindtoestel.
 - Lees hiervoor de bedieningsinstructies van uw eindtoestel.
 - De functies kunnen verder tevens direct via het eindtoestel worden geregeld
- Stel het volume van uw eindtoestel op een laag niveau in.
 - Start de audioweergave op het verbonden eindtoestel.
 - Druk op de volumeregelaar (+) (4) om het geluidsniveau te verhogen.
 - Druk op de volumeregelaar (-) (2) om het geluidsniveau te verlagen.
 - Houd de volumeregelaar (+) (4) ingedrukt om naar de volgende titel te springen.

5.6. Handsfree-functie



Aanwijzing

- Let erop dat de ondersteuning van enige functies afhankelijk is van uw eindtoestel.
- Lees hiervoor de bedieningsinstructies van uw eindtoestel.
- De functies kunnen verder tevens direct via het eindtoestel worden geregeld.

Telefoneren

- Kies het nummer direct op uw eindtoestel om een telefoongesprek tot stand te brengen.

Telefoongesprek aannemen

- Druk eenmaal op de **multifunctionele toets** (5) om een binnenkomend gesprek aan te nemen.

Gesprek beëindigen

- Druk tijdens het gesprek eenmaal op de **multifunctionele toets** (5) om het gesprek te beëindigen.

Herhaling van laatst gekozen nummer

- Druk tweemaal kort op de -multifunctionele toets (5) om het nummer van het laatste gesprek te kiezen.



Aanwijzing – gesprekskwaliteit

Let erop dat u met uw mobiele telefoon tijdens een telefoongesprek in de buurt van de headsets blijft om de gesprekskwaliteit te waarborgen.

5.7. Geluidssterkteregeling en mute-functie

- Druk op de **volumeregelaar** (-) (2) om het geluidsniveau te verlagen.
- Druk op de **volumeregelaar** (+) (4) om het geluidsniveau te verhogen.

5.8. Headset scheiden

- Schakel de headset uit.
- Verbreek de verbinding met de headset via de Bluetooth-instellingen van uw eindtoestel.

5.9. Accucapaciteit

- Om energie te besparen, schakelt de headset zich automatisch uit indien de headset enige tijd niet met een toestel wordt verbonden.
- Bij een geringe accucapaciteit klinkt om de 60 seconden de

gesproken informatie "Low battery, please charge" en de **status-LED** (3) knippert driemaal rood.

- Laad de headset op zoals in **4. Inbedrijfstelling** is beschreven.
- Druk tweemaal op de volumeregelaar (-) (2) om de actuele capaciteit van de accu te zien.

| Beschikbare gesprekstijd | Gesproken informatie | Status-LED (2) |
|--------------------------|----------------------|----------------------|
| > 3,75 h | „Battery high“ | Blauw → 3 seconden |
| 3,75 h – 0,75 h | „Battery medium“ | Blauw → 3x knipperen |
| < 0,75 h | „Battery low“ | Rood → 3x knipperen |



Aanwijzing

- Let erop dat de accucapaciteit van de beide headsets verschillend kan zijn. Controleer om die reden de accucapaciteit van de headsets apart.
- De beschikbare gespreks- resp. stand-by-tijd is echter steeds afhankelijk van de mobiele telefoon die wordt gebruikt of van andere compatibele Bluetooth-apparatuur evenals van de gebruikersinstellingen, gebruikersvoorkeuren en van de desbetreffende omgevingsomstandigheden.

5.10. Reset/fabrieksinstellingen

Problemen en storingen kunnen mogelijk worden opgelost door te resetten naar de fabrieksinstellingen.

- Druk de multifunctionele toets (5) alsmede de volumeregelaar (-) (2) gedurende ca. 8 seconden in om de headset naar de fabrieksinstellingen te resetten.
- Let erop dat de headset op dat moment niet met een eindtoestel mag zijn gekoppeld.

6. Onderhoud en verzorging

Reinig dit product uitsluitend met een pluisvrije, licht vochtige doek en maak geen gebruik van agressieve reinigingsmiddelen. Let erop dat er geen water in het product binnendringt.

7. Uitsluiting van garantie en aansprakelijkheid

Hama GmbH & Co KG aanvaardt geen enkele aansprakelijkheid of garantieclaims voor schade of gevolgschade, welke door ondeskundige installatie, montage en ondeskundig gebruik van het product ontstaan of het resultaat zijn van het niet in acht nemen van de bedieningsinstructies en/of veiligheidsinstructies.

8. Service en support




Neem bij vragen over het product contact op met de afdeling Productadvies van HAMA.

Hotline: +49 9091 502-115 (Duits/Engels)

Meer support-informatie vindt u hier:

www.hama.com

9. Technische specificaties

| | |
|---|------------------------|
|  | Bluetooth-headset |
| Bluetooth-technologie | Bluetooth V4.1 |
| Ondersteunde profielen | A2DP, AVRCP, HSP, HFP |
| Bereik | < 10 m |
|  | Accu laadbox |
| Stroomverbruik | 5 V \equiv 340 mA |
| Stroomlevering resp. capaciteit | 4,65 V \equiv 340 mA |
| Accutype | Li-ion 3,7 V / 420 mAh |
| Oplaadtijd | ~ 2h |
|  | Accu per headset |
| Accutype | Li-ion 3,7 V / 40 mAh |
| Oplaadtijd | ~ 1h |

10. Aanwijzingen over de afvalverwerking

Notitie aangaande de bescherming van het milieu:



Ten gevolge van de invoering van de Europese Richtlijn 2012/19/EU en 2006/66/EU in het nationaal juridisch system, is het volgende van toepassing: Elektrische en elektronische apparatuur, zoals batterijen mag niet met het huisvuil weggegooid worden. Consumenten zijn wettelijk verplicht om elektrische en elektronische apparaten zoals batterijen op het einde van gebruik in te dienen bij openbare verzamelplaatsen speciaal opgezet voor dit doeleinde of bij een verkooppunt. Verdere specificaties aangaande dit onderwerp zijn omschreven door de nationale wet van het betreffende land. Dit symbool op het product, de gebruiksaanwijzing of de verpakking duidt erop dat het product onderworpen is aan deze richtlijnen. Door te recycleren, hergebruiken van materialen of andere vormen van hergebruiken van oude toestellen/batterijen, levert u een grote bijdrage aan de bescherming van het milieu.

11. Conformiteitsverklaring



Hierbij verklaar ik, Hama GmbH & Co KG, dat het type radioapparatuur [00173858] conform is met Richtlijn 2014/53/EU. De volledige tekst van de

EU-conformiteitsverklaring kan worden geraadpleegd op het volgende internetadres:

www.hama.com -> 00173858 -> Downloads.

| | |
|---------------------------------|----------------|
| Frequentieband(en) | 2402 - 2480MHz |
| Maximaal radiofrequent vermogen | < 10mW EIRP |

PL Instrukcja obsługi

Elementy obsługi i sygnalizacji

1. Mikrofon
2. Regulator głośności (-)
3. Dioda LED stanu
4. Regulator głośności (+)
5. Przycisk wielofunkcyjny
6. Pałęk zauszny
7. Poduszki słuchawkowe
8. Styki ładujące
9. Dioda LED stanu stacji ładującej
10. Gniazdo ładujące

Dziękujemy za zakup naszego produktu!

Przed pierwszym użyciem należy dokładnie przeczytać instrukcję obsługi. Instrukcję należy przechować, gdyż może być jeszcze potrzebna.

1. Objaśnienie symboli ostrzegawczych i wskazówek



Ostrzeżenie

Używane w celu zwrócenia uwagi na szczególne niebezpieczeństwo lub ryzyko.



Wskazówki

Używane w celu zwrócenia uwagi na szczególnie przydatne informacje.

2. Zawartość opakowania

- 1 x zestaw słuchawkowy Bluetooth FreeStereo Twins
- 1 x kabel ładujący USB
- 1 x Stacja ładująca
- 4 x Poduszki słuchawkowe
- 3 x Pałak zauszny
- niniejsza instrukcja obsługi

3. Wskazówki bezpieczeństwa

- Produkt jest przeznaczony do prywatnego, niekomercyjnego użytu domowego.
- Chronić produkt przed zanieczyszczeniem, wilgocią i przegrzaniem oraz stosować go tylko w suchym otoczeniu.
- Podczas jazdy pojazdem mechanicznym bądź używania przyrzadu sportowego nie dopuścić do odwrócenia uwagi przez produkt oraz stale obserwować otoczenie i sytuację w ruchu drogowym.
- Chronić produkt przed upadkiem i silnymi wstrząsami.
- Nie stosować produktu poza zakresem mocy podanym w danych technicznych.
- Nie otwierać produktu i nie używać go, gdy jest uszkodzony.
- Akumulator jest zamontowany na stałe i nie można go usunąć, poddać cały produkt utylizacji zgodnie z ustawowymi postanowieniami.
- Materiały opakowaniowe należy natychmiast poddać utylizacji zgodnie z obowiązującymi przepisami miejscowymi.
- Nie modyfikować urządzenia. Prowadzi to do utraty wszelkich roszczeń z tytułu gwarancji.



Ostrzeżenie – akumulator

- Używać do ładowania tylko odpowiednich ładowarek lub portów USB.
- Generalnie nie stosować uszkodzonych ładowarek lub portów USB ani nie próbować ich naprawiać.
- Chronić produkt przed przeładowaniem lub głębokim rozładowaniem.
- Unikać przechowywania, ładowania i stosowania w ekstremalnych temperaturach.
- W przypadku dłuższego przechowywania regularnie (przynajmniej co kwartał) doładowywać akumulator.



Ostrzeżenie – Wysoki poziom głośności



- Podczas używania produktu ograniczona jest percepcja dźwięków z otoczenia. Z tego powodu stosując produkt, nie obsługiwać pojazdów ani maszyn.
- Głośność ustawiać zawsze na rozsądny poziom. Wysoki poziom głośności może – nawet jeżeli trwa krótko – prowadzić do uszkodzenia słuchu.

4. Uruchamianie

- Oba zestawy słuchawkowe oraz stacja ładowania posiadają ładowalne akumulatory. Przed pierwszym użyciem należy całkowicie naładować akumulator.
- Ładować można zestawy słuchawkowe bezpośrednio ze stacji

ładującej albo akumulator stacji ładującej. Dzięki temu zestawy słuchawkowe można ładować w podróży bez użycia zewnętrznego zasilania elektrycznego. Stacja ładująca służy wtedy jako akumulator prądu w podróży.



Wskazówka

Zawsze używać dołączonego kabla ładującego USB!

4.1 Ładowanie zestawów słuchawkowych

- Przed ładowaniem upewnić się, że zestawy słuchawkowe są wyłączone.
- Włożyć oba zestawy słuchawkowe do stacji ładującej.
- Jeżeli poziom naładowania akumulatora stacji ładującej jest wystarczający, proces ładowania zestawów słuchawkowych rozpoczyna się automatycznie.
- W przeciwnym razie rozpocząć proces ładowania, podłączając dołączony kabel ładujący USB do gniazda ładującego (10) i portu USB odpowiedniej ładowarki USB. Uwzględnić instrukcję obsługi stosowanej ładowarki USB.
- Podczas ładowania diody LED stanu (3) zestawów słuchawkowych świecą się ciągle na czerwono.
- Proces ładowania akumulatora zestawu słuchawkowego trwa ok. 1 godziny.
- Po całkowitym naładowaniu akumulatora zestawu słuchawkowego gaśnie dioda LED stanu (3) odpowiedniego zestawu.
- Zestaw słuchawkowy można wyjąć.

4.2 Ładowanie stacji ładującej

- Rozpocząć proces ładowania, podłączając dołączony kabel ładujący USB do **gniazda ładującego** (10) i portu USB odpowiedniej ładowarki USB. Uwzględnić instrukcję obsługi stosowanej ładowarki USB.
- Podczas ładowania dioda LED stanu **stacji ładującej** (9) świeci się ciągle na czerwono.
- Całkowite naładowanie akumulatora może trwać do 2 godzin.
- Po całkowitym naładowaniu dioda **LED stanu** (9) gaśnie.
- Następnie odłączyć wszystkie połączenia kablowe i sieciowe.



Wskazówka

- Jeżeli rozładowane są zarówno akumulatory zestawów słuchawkowych, jak i akumulator stacji ładującej, najpierw ładowane są akumulatory zestawów słuchawkowych. Następnie ładowany jest akumulator stacji ładującej (diody LED stanu (3) zestawów słuchawkowych gasną, dioda LED stanu (9) stacji ładującej świeci się nadal na czerwono).
- Za pomocą stacji ładującej z kompletnie naładowanym akumulatorem można naładować oba zestawy słuchawkowe ok. 4 razy.

5. Praca

5.1 Włączanie/ wyłączenie zestawu słuchawkowego

- **Włączanie:**

Przy wyłączonym urządzeniu trzymać wciśnięty przez 6 sekundy **przycisk wielofunkcyjny** (5), aż rozlegnie się komunikat głosowy „power on”. Dioda **LED stanu** (3) miga najpierw na niebiesko, a następnie jednokrotnie na czerwono.

- **Wyłączanie:**

Przy włączonym urządzeniu trzymać wciśnięty przez 4 sekundy **przycisk wielofunkcyjny** (5), aż rozlegnie się komunikat głosowy „power off”. Dioda **LED stanu** (3) świeci się na czerwono, zanim urządzenie się wyłączy.

Po pierwszym włączeniu automatycznie uruchamiana jest funkcja parowania (pairing) - patrz rozdział **5.2. Pierwsze łączenie Bluetooth (pairing) – Zestawy słuchawkowe.**

5.2. Pierwsze łączenie Bluetooth (pairing) – Zestawy słuchawkowe.

- Najpierw należy połączyć ze sobą oba zestawy słuchawkowe.
- Upewnić się, czy oba zestawy słuchawkowe są wyłączone.
- Nacisnąć jednocześnie przycisk wielofunkcyjny (5) obu zestawów słuchawkowych przez ok. 8 sekund, aż diody LED stanu (3) zaczną świecić się na przemian na czerwono i niebiesko.
- Zestawy słuchawkowe łączą się automatycznie w ciągu ok. 10 sekund. Następnie można połączyć zestawy słuchawkowe z urządzeniem końcowym.
- Jeżeli obie zestawy słuchawkowe nie będą mogły połączyć się w ciągu 2 minut, wyłączą się automatycznie.



Wskazówka

- Po pierwszym prawidłowym sparowaniu zestawów słuchawkowych, zestaw słuchawkowy podłączony jako drugi automatycznie korzysta z informacji pierwszego włączonego / sparowanego zestawu słuchawkowego.
- Dlatego przy późniejszych próbach połączenia z urządzeniem końcowym należy oba zestawy słuchawkowe jedynie włączyć i jeden z nich przestawić na tryb parowania. Drugi zestaw słuchawkowy zostanie połączony automatycznie.

5.3. Pierwsze łączenie Bluetooth (pairing) z urządzeniem końcowym

- Zestawy słuchawkowe i urządzenie końcowe nie powinny znajdować się w odległości większej niż 1 m od siebie. Im mniejsza odległość, tym lepiej.
- Upewnić się, że oba zestawy słuchawkowe są włączone i sparowane ze sobą.



Wskazówka – parowanie urządzeń (pairing)

- Urządzenie końcowe Bluetooth musi być włączone i łącze Bluetooth musi być aktywne.
- Uwzględnić instrukcję obsługi urządzenia końcowego.

-

- Otworzyć na urządzeniu końcowym ustawienia Bluetooth i poczekać, aż w liście znalezionych urządzeń Bluetooth pojawi się napis **FreeStereo Twins**.
- Wybrać opcję **FreeStereo Twins** i poczekać, aż zestawy słuchawkowe będą wskazywane jako połączone w ustawieniach Bluetooth urządzenia końcowego.



Wskazówka – hasło Bluetooth

Niektóre urządzenia końcowe wymagają podania hasła do konfiguracji połączenia z innym urządzeniem Bluetooth.

- Jeżeli na urządzeniu końcowym pojawi się wezwanie do podania hasła, wpisać hasło **0000** w celu połączenia.



Wskazówka

Jeżeli parowanie powiodło się, co 5 sekund migają na niebiesko diody LED stanu (3).

- Teraz zestawy słuchawkowe są gotowe do użycia.

5.4. Automatyczne połączenie Bluetooth (po wcześniejszym sparowaniu urządzeń)



Wskazówka

- Urządzenie końcowe Bluetooth musi być włączone i łącze Bluetooth musi być aktywne.
- Uwzględnić instrukcję obsługi urządzenia końcowego.
- Upewnić się, że zestawy słuchawkowe są włączone.
- Można też włączyć tylko jeden zestaw słuchawkowy. Po pierwszym pomyślnym połączeniu połączy się on automatycznie z urządzeniem końcowym. Jeżeli drugi zestaw słuchawkowy zostanie także włączony, połączy się on najpierw z drugim zestawem słuchawkowym i również zostanie automatycznie sparowany z urządzeniem końcowym.
- Po pierwszym pomyślnym połączeniu kolejne łączenie odbywa się automatycznie.
- Teraz zestaw/zestawy słuchawkowe są gotowe do użycia.



Wskazówka

- Jeżeli parowanie powiodło się, co 5 sekund migają na niebiesko diody LED stanu (3).
- Jeżeli połączenie nie powiodło się, diody LED stanu (3) migają jednokrotnie co 5 sekund, i należy ponownie przeprowadzić proces parowania.
- Ewentualnie należy skonfigurować urządzenie końcowe, aby zezwolić na automatyczne połączenie ze sparowanym zestawem słuchawkowym.



Wskazówka - zakłócone połączenie

Po pierwszym pomyślnym połączeniu kolejne łączenie odbywa się automatycznie. Jeżeli połączenie Bluetooth nie zostanie nawiązane automatycznie, sprawdzić następujące punkty:

- Sprawdzić w ustawieniach Bluetooth urządzenia końcowego, czy urządzenia **FreeStereo Twins** są połączone. Jeżeli nie, powtórzyć czynności zgodnie z opisem w rozdziale **5.3. Pierwsze łączenie Bluetooth (pairing) z urządzeniem końcowym**.
- Sprawdzić, czy zasięg działania nie jest ograniczony przez przeszkody. Ewentualnie przybliżyć urządzenia do siebie.
- Słaba bateria może także niekorzystnie wpływać na działanie urządzenia.

5.5. Odtwarzanie audio



Wskazówka

- Należy pamiętać, że obsługa niektórych funkcji jest zależna od urządzenia końcowego.
- Uwzględnić instrukcję obsługi urządzenia końcowego.
- Funkcjami tymi można nadal sterować również bezpośrednio za pomocą urządzenia końcowego.
- Ustawić głośność urządzenia końcowego na niski poziom.
- Uruchomić odtwarzanie audio na połączonym urządzeniu końcowym.
- Nacisnąć regulator głośności (+) (4), aby zwiększyć poziom głośności.
- Nacisnąć regulator głośności (-) (2), aby zmniejszyć poziom głośności.

- Nacisnąć i trzymać wciśnięty regulator głośności + (4), aby przejść do następnego tytułu.
- Nacisnąć i trzymać wciśnięty regulator głośności - (2), aby przejść do poprzedniego tytułu.

5.6. Funkcja głośnomówiąca



Wskazówka

- Należy pamiętać, że obsługa niektórych funkcji jest zależna od urządzenia końcowego.
- Uwzględnić instrukcję obsługi urządzenia końcowego.
- Funkcjami tymi można nadal sterować również bezpośrednio za pomocą urządzenia końcowego.

Rozmowa telefoniczna

- Aby wykonać rozmowę telefoniczną, wybrać numer bezpośrednio za pomocą urządzenia końcowego.

Odbieranie rozmowy telefonicznej

- Jednokrotnie nacisnąć **przycisk wielofunkcyjny** (5), aby odebrać połączenie przychodzące.

Kończenie rozmowy telefonicznej

- Podczas rozmowy jednokrotnie nacisnąć **przycisk wielofunkcyjny** (5), aby zakończyć połączenie.

Ponowne wybieranie numeru

- Dwukrotnie nacisnąć **przycisk wielofunkcyjny** (5), aby wywołać ostatnio wybierany numer.
- Rozlega się krótki sygnał dźwiękowy.



Wskazówka – jakość rozmowy telefonicznej

Zwrócić uwagę, aby podczas rozmowy przebywać z telefonem komórkowym w pobliżu zestawów słuchawkowych w celu poprawy jakości rozmowy.

5.7. Regulacja głośności i wyciszanie

- Nacisnąć **regulator głośności (-)** (2), aby zmniejszyć poziom głośności.
- Nacisnąć **regulator głośności (+)** (4), aby zwiększyć poziom głośności.

5.8. Rozłączanie zestawu słuchawkowego

- Wyłączyć zestaw słuchawkowy.
- Odłączyć zestaw słuchawkowy poprzez ustawienia Bluetooth urządzenia końcowego.

5.9. Pojemność akumulatora

- Jeżeli przez pewien czas zestaw słuchawkowy nie jest połączony z żadnym urządzeniem, wyłącza się on automatycznie w celu zaoszczędzenia energii.
- W przypadku niskiej pojemności akumulatora co 60 sekund rozlega się komunikat głosowy „Low battery, please charge”, a **dioda LED stanu** (3) miga trzykrotnie na czerwono.
- Naładować zestaw słuchawkowy – zgodnie z opisem w rozdziale **4. Uruchamianie**.
- Dwukrotnie nacisnąć regulator głośności (-) (2), aby sprawdzić aktualną pojemność akumulatora.

| Dostępny czas rozmowy | Komunikat głosowy | Dioda LED stanu (2) |
|-----------------------|-------------------|--------------------------|
| > 3,75 h | „Battery high” | Niebieska → 3 sekundy |
| 3,75 h – 0,75 h | „Battery medium” | Niebieska → 3x migają |
| < 0,75 h | „Battery low” | Rot → 3x migają |



Wskazówka

- Uwzględnić, że pojemność akumulatorów obu zestawów słuchawkowych może się różnić. Dlatego należy oddzielnie sprawdzać pojemność akumulatora każdego zestawu słuchawkowego.
- Dostępny czas rozmowy lub uśpiania (stand by) zależy zawsze od stosowanego telefonu komórkowego lub innych kompatybilnych urządzeń Bluetooth oraz ustawień i preferencji użytkownika, a także warunków otoczenia.

5.10. Reset/ ustawienia fabryczne

Problemy i błędne działanie można usunąć, resetując urządzenie do stanu ustawień fabrycznych.

- Nacisnąć i trzymać wciśnięty przycisk wielofunkcyjny (5) oraz regulator głośności (-) (2) przez ok. 8 sekund, aby zresetować zestaw słuchawkowy do stanu ustawień fabrycznych.
- Należy pamiętać, że zestaw słuchawkowy nie może być sparowany z urządzeniem końcowym.

6. Czyszczenie

Czyścić produkt tylko przy użyciu niestrzępiącej się, lekko zwilżonej szmatki i nie stosować agresywnych detergentów. Uważać, aby do wnętrza produktu nie wniknęła woda.

7. Wyłączenie odpowiedzialności

Hama GmbH & Co KG nie udziela gwarancji ani nie odpowiada za szkody wskutek niewłaściwej instalacji, montażu oraz nieprawidłowego stosowania produktu lub nieprzestrzegania instrukcji obsługi i/lub wskazówek bezpieczeństwa.

8. Serwis i pomoc techniczna

W razie pytań dotyczących produktu prosimy zwrócić się do infolinii Hama. Gorąca linia: +49 9091 502-115 (niem./ang.)
Dodatkowe informacje są dostępne na stronie: www.hama.com

9. Dane techniczne

| | |
|---|--|
|  | Zestaw słuchawkowy Bluetooth |
| Technologia Bluetooth | Bluetooth V4.1 |
| Obsługiwane profile | A2DP, AVRCP, HSP, HFP |
| Zasięg | < 10 m |
|  | Akumulator stacji ładującej |
| Pobór prądu | 5 V $\overline{=}$ 340 mA |
| Prąd wyjściowy | 4,65 V $\overline{=}$ 340 mA |
| Typ baterii | Lithium-Ion 3,7 V / 420 mAh |
| Czas ładowania | ~ 2h |
|  | Akumulator każdego zestawu słuchawkowego |
| Typ baterii | Lithium-Ion 3,7 V / 40 mAh |
| Czas ładowania | ~ 1h |

10. Informacje dotycząca recyklingu

Wskazówki dotyczące ochrony środowiska:



Od czasu wprowadzenia europejskiej dyrektywy 2012/19/EU i 2006/66/EU do prawa narodowego obowiązują następujące ustalenia: Urządzeń elektrycznych, elektronicznych oraz baterii

jednorazowych nie należy wyrzucać razem z codziennymi odpadami domowymi! Użytkownik zobowiązany prawnie do odniesienia zepsutych, zniszczonych lub niepotrzebnych urządzeń elektrycznych i elektronicznych do punktu zbiórki lub do sprzedawcy. Szczegółowe kwestie regulują przepisy prawne danego kraju. Informuje o tym symbol przekreślonego kosza umieszczony na opakowaniu. Segregując odpady pomagasz chronić środowisko!

11. Deklaracja zgodności



Hama GmbH & Co KG niniejszym oświadcza, że typ urządzenia radiowego [00173858] jest zgodny z dyrektywą 2014/53/UE. Pełny tekst deklaracji zgodności

UE jest dostępny pod następującym adresem internetowym: www.hama.com -> 00173858 -> Downloads.

| | |
|---------------------------|----------------|
| Częstotliwość transmisji | 2402 - 2480MHz |
| Maksymalna moc transmisji | < 10mW EIRP |

hama®

THE SMART SOLUTION

Hama GmbH & Co KG
86652 Monheim / Germany
www.hama.com

"The Bluetooth® word mark and logos are registered trademarks owned by the Bluetooth SIG, Inc. and any use of such marks by Hama GmbH & Co KG is under license. Other trademarks and trade names are those of their respective owners."

All listed brands are trademarks of the corresponding companies. Errors and omissions excepted, and subject to technical changes. Our general terms of delivery and payment are applied.

00173858/11.16