

Message In a Speaker mp3

Manual v1



Jan 2016

Contents

1. What is the MIAS?	3
2. Supported Media Formats.....	3
3. In the Box.....	4
4. Setup Instructions.....	5
4.1 Fixing Wall Bracket	7
5. Programming the MicroSD Card.....	9
5.1 Mode Options	10
5.2 Volume Options.....	11
5.3 Delay	11
5.4 END	11
5.6 Content Naming.....	12
5.7 Upload Content.....	12
6.Specifications.....	12

Thank you for purchasing the MIAS mp3

The MIAS is one of a range of products we offer specific to the heritage marketplace. We are confident that we have other products you will find useful and look forward to hearing from you again soon.

T: +44 (0)1639 767007 | **W:** www.blackboxav.co.uk

1. What is the MIAS?

The MIAS is a high quality atmospheric speaker with in-built PIR, allowing looping or movement activated audio content to be utilised in almost any indoor location.

The MIAS can support up to 99 tracks with various play options, including looping, sequential activation or sequential activation over a background track.

2. Supported Media Formats

The MIAS supports mp3 audio.

If you have issues playing any audio content we recommend you convert your audio using 'Format Factory'. This can be downloaded for free here:

<http://www.pcfreetime.com/>

3. In the Box



1. MIAS
2. Power Supply and adapters
3. Mounting Bracket
4. Safety Cable
5. Metal Bar (for tightening bracket)
6. MicroSD to USB Converter, MicroSD Card

4. Setup Instructions

Setting up your MIAS is simple. You will need the following;

- MIAS
- Power Supply
- MicroSD Card with content on (*see programming section*)
- Mounting Bracket (if required)

The MIAS is a self-contained unit, you simply need your content prepared appropriately and inserted into the SD Slot. How the MIAS plays content is determined by a config.txt file saved alongside your content. The following section (5. Programming) will cover this.

REAR VIEW



1. Power In
2. MicroSD Card Slot
3. Volume Control

Powering Your MIAS

Plug the power supply into an available socket and connect power to the MIAS via this input.

Insert MicroSD Card

Program your MicroSD card with the appropriate content (See programming section) and insert here.

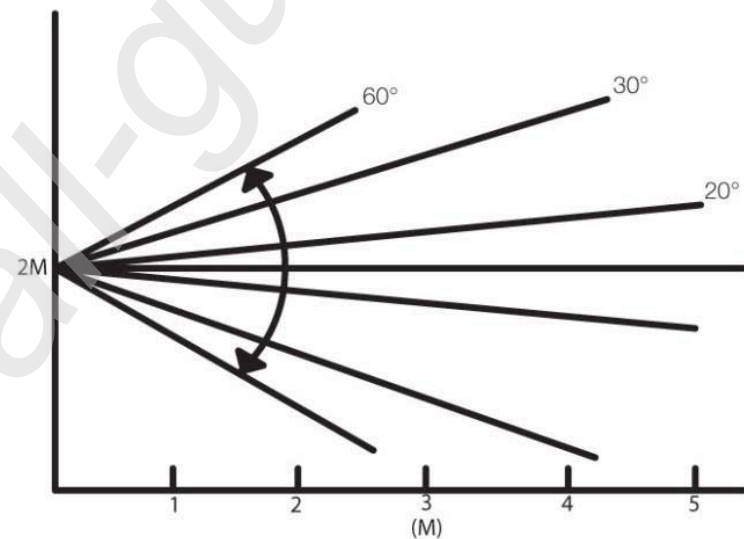
Adjust Volume

Set volume to the desired level - clockwise to increase and anti-clockwise to decrease.

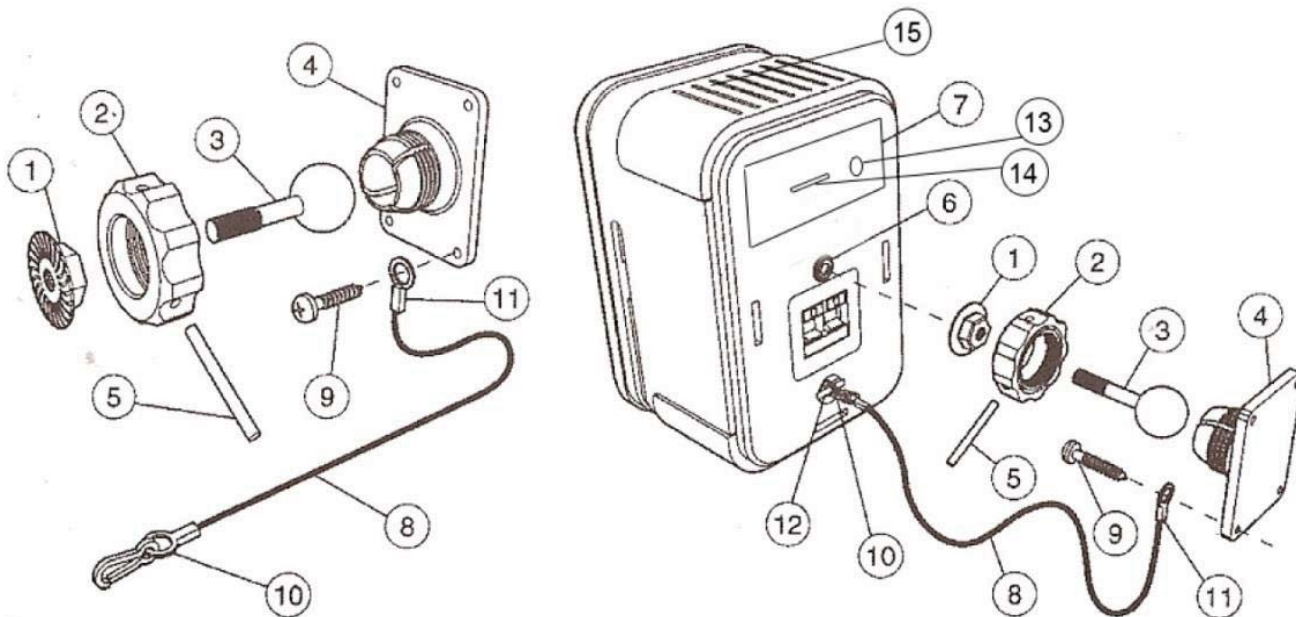
PIR Operation

The PIR will take 30 seconds or so to settle once the MIAS is first powered up - once this time has passed content will begin to be activated upon detection of movement (unless looping play mode chosen).

PIR detection Range:



4.1 Fixing Wall Bracket



The MIAS is supplied with a wall bracket which is mounted as so;

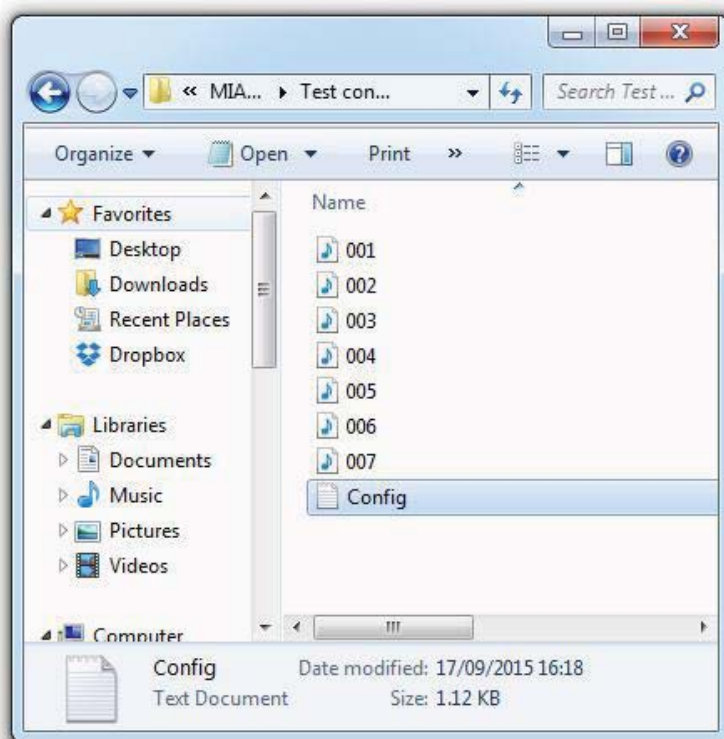
- a. Loosen and remove the molded nut @ by turning it counter clockwise. Use the 'supplied metal bar (2) if necessary by inserting it in one of the holes on the molded nut (5).
- b. Pull the ball/shaft (3) out of the wall bracket (4).
- c. Slide on the molded nut (2) onto the ball/shaft (3) with threaded opening facing the ball, and thread on the metal nut (1) all the way onto the ball/shaft (3) with the nut (1)'s "knurled" surface facing away from the ball.
- d. Screw on the ball/shaft (3) into the threaded insert on the back of the speaker cabinet (6) until it is fully seated against the bottom of the insert.

- e. Tighten the "knurled" nut (1) using a crescent wrench until it is firmly seated against the back of the speaker and has fully locked the ball/shaft (3) and the speaker cabinet together. Please note that once this nut is tightened, it may embed some marks on the back of the speaker where the attachment is made. However, these marks will be covered by the nut (1).
- f. The back-up cord (8) provided as an additional measure to prevent the fall of the speaker in case the speaker becomes detached from the wall bracket. One of the two lower screws (9) that attach the wall bracket (4) to the wall, will need to go through the eyelet (11) at the end of the cord before going through the wall bracket hole. Mount the wall bracket (4) onto a wood stud on the wall, using #10, minimum 1 inch long, pan head wood screws. Make sure that all 4 screws are driven into the stud and not in drywall. If the bracket needs to be mounted on drywall, the use of properly selected and installed wall anchors and screws is essential. Make sure that the screw head is at least 0.36 inches (approximately 3/8 inches) or larger in diameter so that it can properly hold the backup cord eyelet (11).
- g. Holding the speaker cabinet (7) with both hands, reinsert the ball portion of the ball/shaft (3) into the wall bracket (4).
- h. Hand tighten the molded nut (2) while positioning the speaker for the intended orientation.
- i. Once the orientation of the speaker is finalized, use the metal bar (5) in one of the holes on the molded nut (2) and tighten securely.
- j. Securely attach the other end (10) of the backup cord (8) to the MIAS, by engaging it through the bar (12) on the back speaker.

- k. Insert the programmed SD card label down into the SD card slot (14).
- l. Connect the DC power cable to the power input point (13).
- m. To adjust the volume, insert the terminal screwdriver into the volume control hole (15) turning it clockwise to increase the volume. Remove the screwdriver once have reached your desired volume

5. Programming the MicroSD Card

The manner in which the MIAS plays content is decided via the Config.txt file.



For example this MicroSD card contains 7 audio tracks - the Config.txt file determines how these tracks are activated.

Each MIAS is delivered with working test files and a Config.txt file which explains the various mode options. We suggest you do not delete these instructions from the txt document.

The first 4 lines consist of the config, all those after the word END are instructions.

```

Config - Notepad
File Edit Format View Help
MODE=C
VOLUME=25
DELAY=01:10
END

                                MODE FILE FOR MIAS MP3 V1 17/09/15

                                YOU MAY USE/CHANGE THE FOLLOWING AT THE TOP OF THIS FILE

MODE=C   CONTINUOUSLY   ALL FILES ARE CONTINUOUSLY PLAYED IN A LOOP ON CARD (NO PIR USE)
MODE=O   ONCE           PLAY ALL FILES ON CARD AND WAIT FOR NEXT PIR TRIGGER
MODE=S   SEQUENTIALLY  PLAY THE NEXT FILE EACH TIME THE PIR IS TRIGGERD
MODE=B   BACKGROUND    TRACK 1 IS ALWAYS IN PLAY AS A BACKGROUND TRACK LOOPING
                                AND ALL OTHER TRACKS INTERRUPT TRACK 1

VOLUME=00 TO 25           THIS IS A MASTER (MAX) VOLUME CONTROL

DELAY=01:10              THE DELAY IS SET IN ORDER OF MINUTES:SECONDS UP TO A MAX TIME DELAY OF 99:59
                                THE DELAY WILL STOP THE NEXT PIR TRIGER EVENT UNTIL THE TIMER HAS ELAPSED

THE WORD "END"          IS ALWAYS PUT ON THE LAST LINE AT THE END OF ALL CONFIGURATION VALUES

                                IF NO MODE FILE IS FOUND ON THE SD CARD THEN THE FOLLOWING WILL APPLY

                                MODE=S
                                VOLUME=16
                                DELAY=00:15
  
```

5.1 Mode Options

The MIAS can play content in 4 ways.

MODE=C	Continuous	All files play on a continuous one after the other loop without PIR trigger
MODE=O	Once	When triggered via PIR all files play once then wait for another trigger
MODE=S	Sequential	One file is played when triggered, the next trigger will activate the next file

MODE=B	Background	Track 001 is always playing as a background track on loop, upon PIR trigger all other tracks are played in a sequential manner (as MODE=S)
--------	------------	--

5.2 Volume Options

This is the master volume control, the volume dial on the reverse of the MIAS will alter the volume level up to this maximum.

Volume=00 to 25 (25 = max)

5.3 Delay

This decides how long after a PIR trigger the MIAS can be triggered again. It is set in order of minutes:seconds and can be set to a maximum of 99:59

DELAY=01:10 (the MIAS will wait 1 minute and 10 seconds between triggers)

5.4 END

The configuration options must end with the word END - all text after this is ignore.

Note: If a MicroSD card is inserted with audio content but no Config.txt file it will play this content with the following options as standard;

MODE=S (sequential)
 VOLUME=16 (Volume level 16)
 DELAY=00:15 (Delay of 15 seconds between triggers)

5.6 Content Naming

Audio files are played in numerical order and must therefore be named 001 - 099.

5.7 Upload Content

Simply take your pre-named audio files and prepared Config.txt file and upload these to the supplied MicroSD Card using the USB - MicroSD convertor supplied.

6.Specifications

Speaker

Driver Bass/midrange	100mm
Drivers Tweeter	12mm Titanium Laminate
Frequency Response	20Hz - 20kHz
Power Handling	200W - 50W
Sensitivity	89dB/2.83V/1m
Nominal Impedance	8 Ohms
Dimensions (H x W x D)	228 x 155 x 139mm
Weight	2.7kg

Messages

Message storage medium	MicroSD Card
Maximum number of messages	99
Message encoding format	.mp3
Power on load time	30 seconds

Power Supply

External power supply	9 to 16V DC (12V nominal) / 1000mA
Power supply connector	1.3mm Inner=V+, Outer=0V
Operating Voltage	110 - 240V AC 50/60Hz Indoor Use Only